

### Submersible Fountain Pumps

**DISCHARGE:**

SF Series .....2" NPT, Female, Vertical, Bolt-on Flange  
 3SF Series.....3" NPT, Female, Vertical, Bolt-on Flange

**LIQUID TEMPERATURE** ..... 104°F (40°C) Continuous

**VOLUTE** ..... Cast Iron ASTM A-48, Class 30

**MOTOR HOUSING** ..... Cast Iron ASTM A-48, Class 30

**SEAL PLATE** ..... Cast Iron ASTM A-48, Class 30

**IMPELLER: Design** ..... 2 Vane open, with pump out vanes on back side. Dynamically balanced, ISO G6.3

**Material** ..... Cast Iron ASTM A-48, Class 30

**SHAFT** ..... 416 Stainless Steel

**SQUARE RINGS**..... Buna-N

**HARDWARE** ..... 300 Series Stainless Steel

**PAINT** ..... Air Dry Enamel

**SEAL: Design** ..... Single Mechanical

**Material** ..... Silicon/Silicon/Buna-N  
 Hardware -300 Series Stainless

**CORD ENTRY** ..... 15 ft. (5m) Cord with plug on 120 Volt Quick Connect, Custom Molded for sealing and strain relief

**UPPER BEARING**..... Single Row, Ball, Oil Lubricated

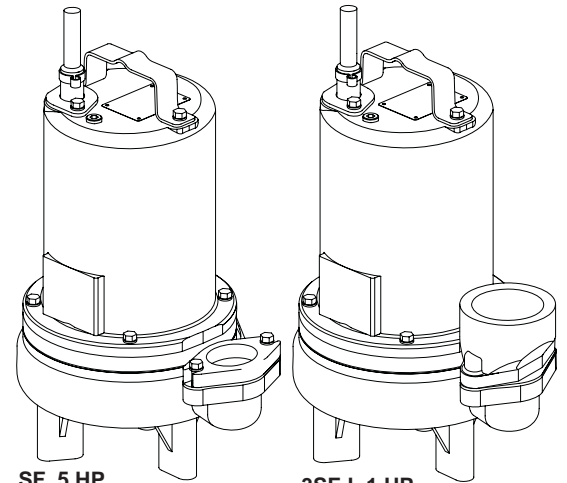
**LOWER BEARING**..... Single Row, Ball, Oil Lubricated

**MOTOR: Design** ..... NEMA L Torque curve, Oil Filled, Squirrel cage Induction

**Insulation**..... Class B

**SINGLE PHASE**..... Permanent Split Capacitor (PSC). Includes thermal overload protection in motor

**OPTIONAL EQUIPMENT**..... Seal Material, Additional cord and Impeller trims



SF .5 HP

3SF-L 1 HP

**Series:**

SF - .5HP, 1750RPM, 60Hz

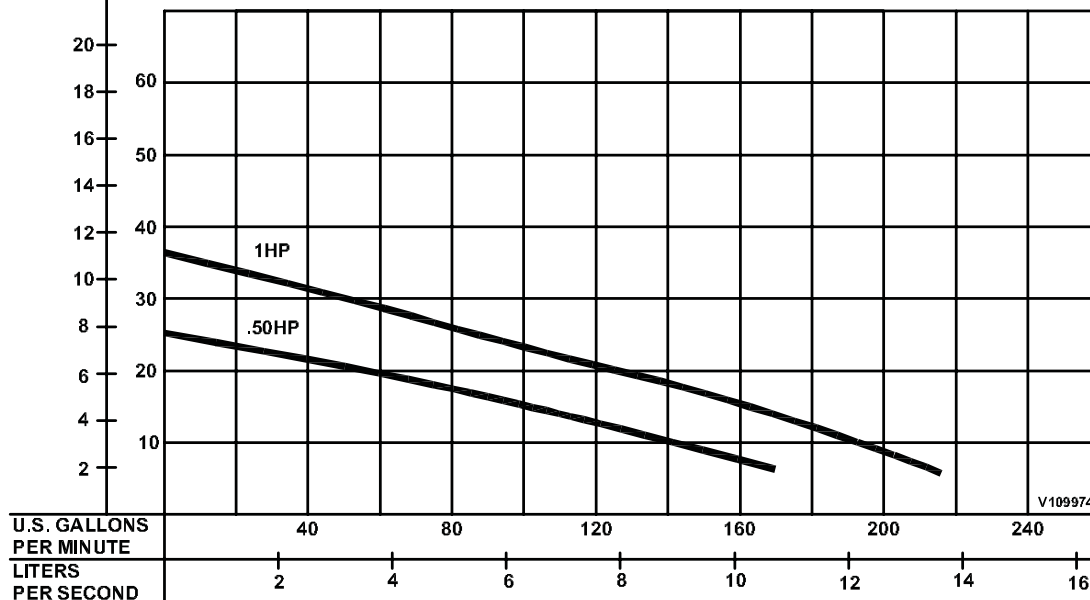
3SF-L - 1HP, 1750RPM, 60Hz



**DESCRIPTION:**

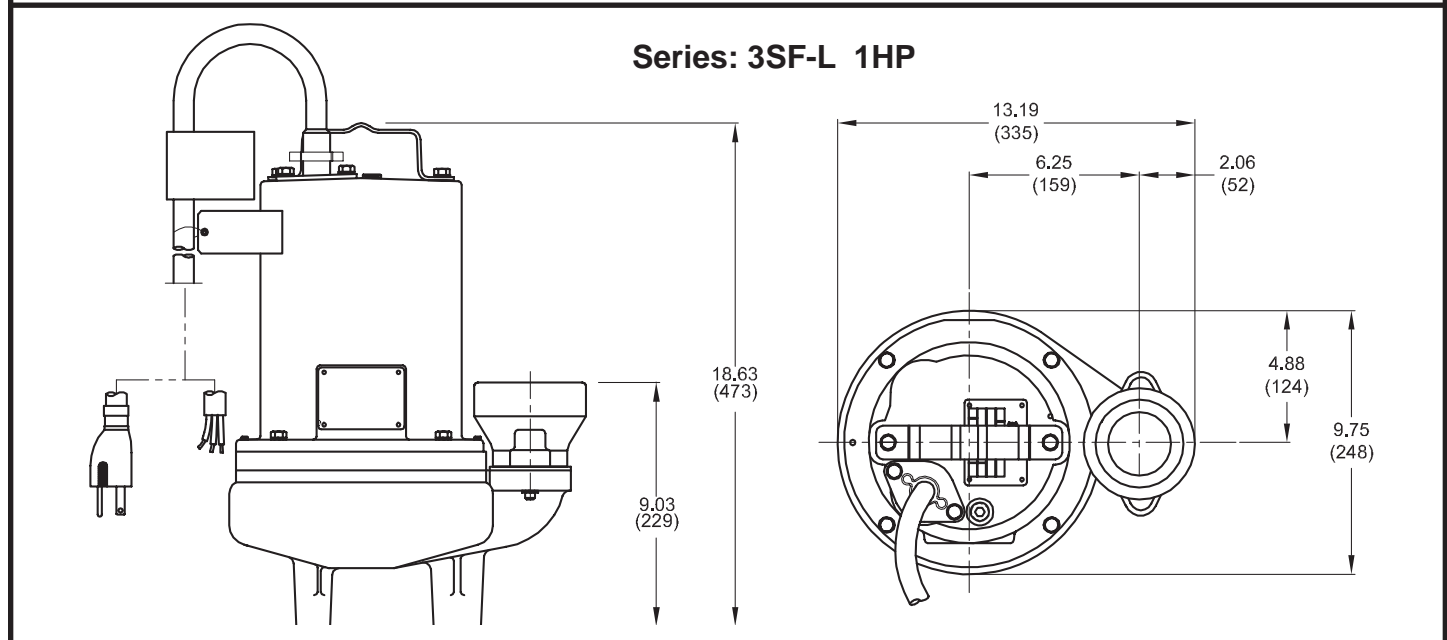
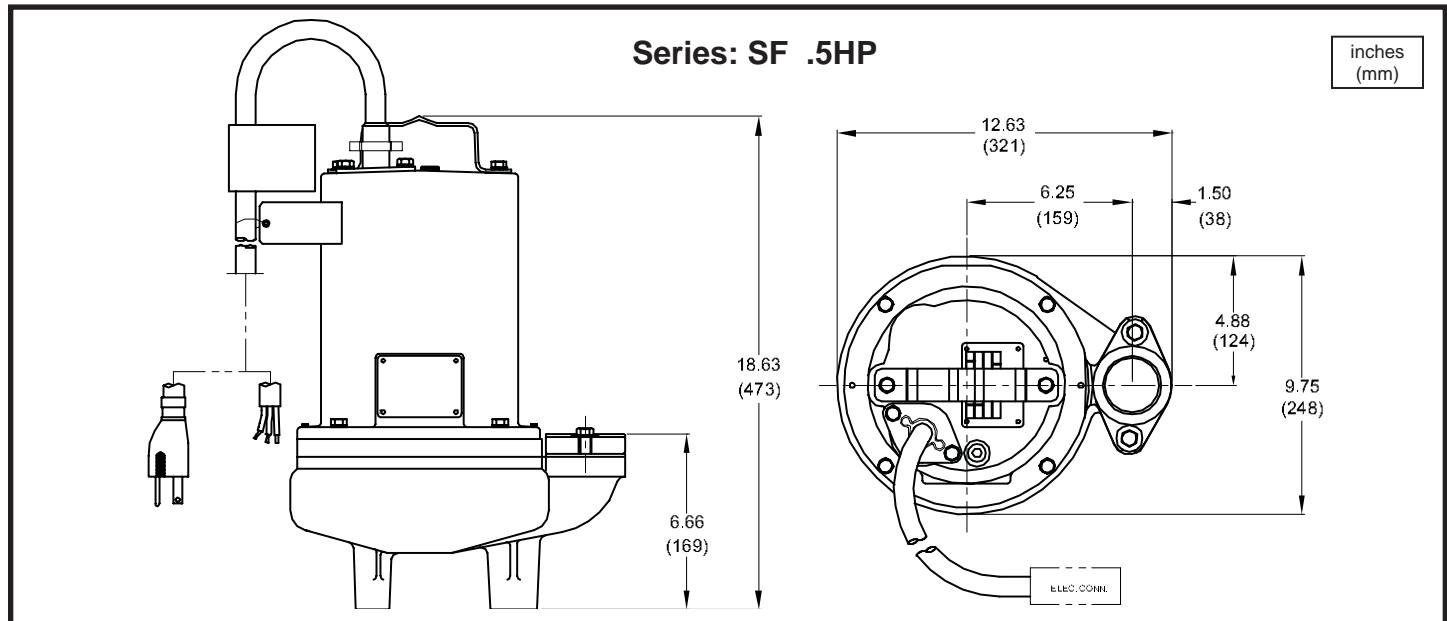
THESE PUMPS ARE SPECIALLY DESIGNED FOR USE IN DRAMATIC, DECORATIVE WATER DISPLAYS

**TOTAL HEAD METERS** | **HEAD FEET**



Testing is performed with water specific gravity of 1.0 @ 68°F (20°C), other fluids may vary performance

**Submersible Fountain Pumps**



MODEL NO	PART NO	HP	VOLT/PH	Hz	RPM (Nom)	NEMA START CODE	FULL LOAD AMPS	LOCKED ROTOR AMPS	CORD SIZE	CORD TYPE	CORD O.D. inch (mm)
SF51	109974	0.5	120/1	60	1750	F	11.6	21.3	14/3	SJTOW	0.375 (9.5)
3SF1074L	109975	1.0	200-240/1	60	1750	D/G	8.8/8.3	21.5/25.8	14/3	SOW	0.530 (13.5)

**IMPORTANT !**

- 1.) **DO NOT USE TO PUMP FLAMMABLE LIQUIDS.**
- 2.) INSTALLATIONS SUCH AS DECORATIVE FOUNTAINS OR WATER FEATURES PROVIDED FOR VISUAL ENJOYMENT MUST BE INSTALLED IN ACCORDANCE WITH THE NATIONAL ELECTRIC CODE ANSI/NFPA 70 AND/OR THE AUTHORITY HAVING JURISDICTION. THIS PUMP IS NOT INTENDED FOR USE IN SWIMMING POOLS, RECREATIONAL WATER PARKS, OR INSTALLATIONS IN WHICH HUMAN CONTACT WITH PUMPED MEDIA IS A COMMON OCCURRENCE.