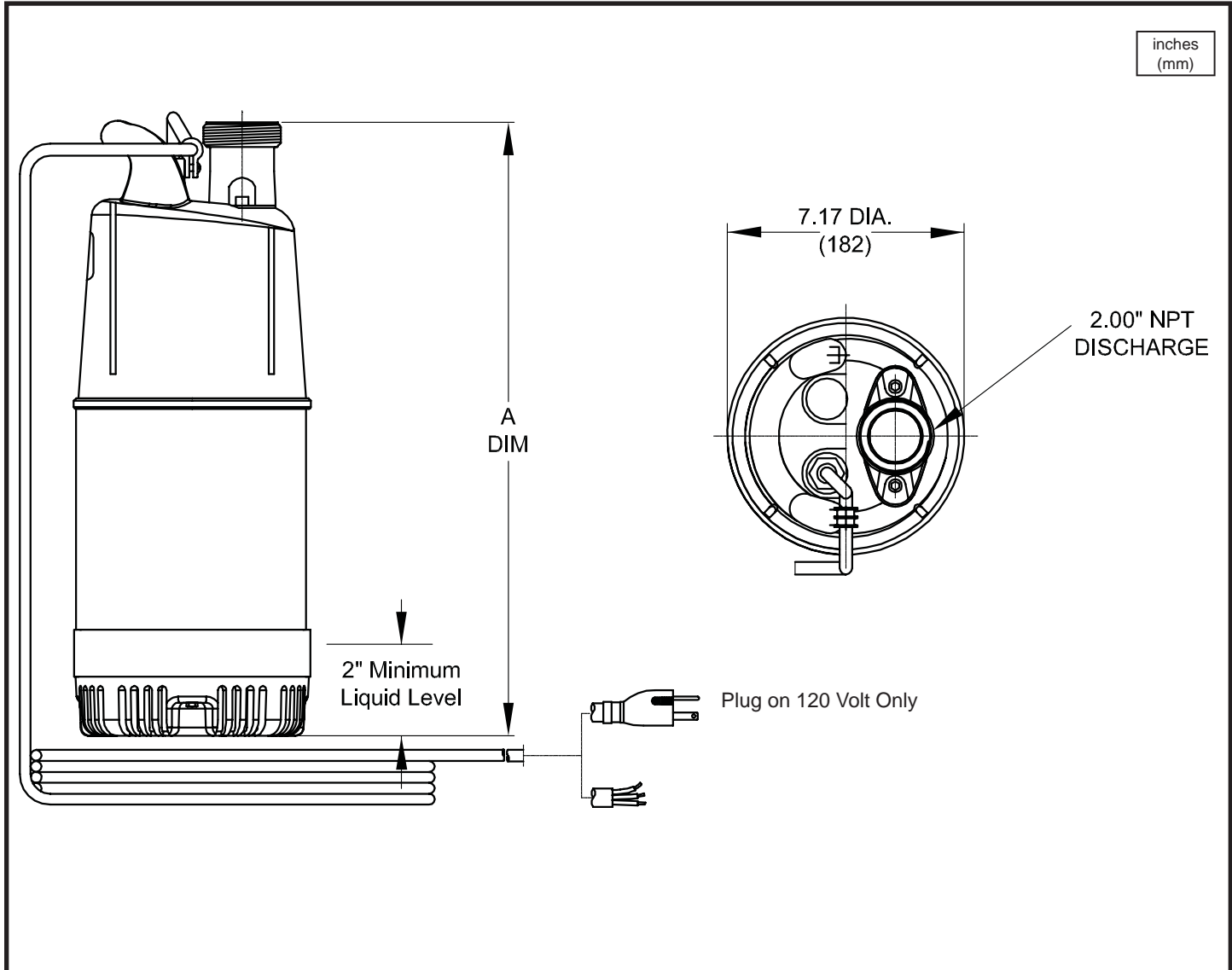




### Other Submersible Dewatering Pumps



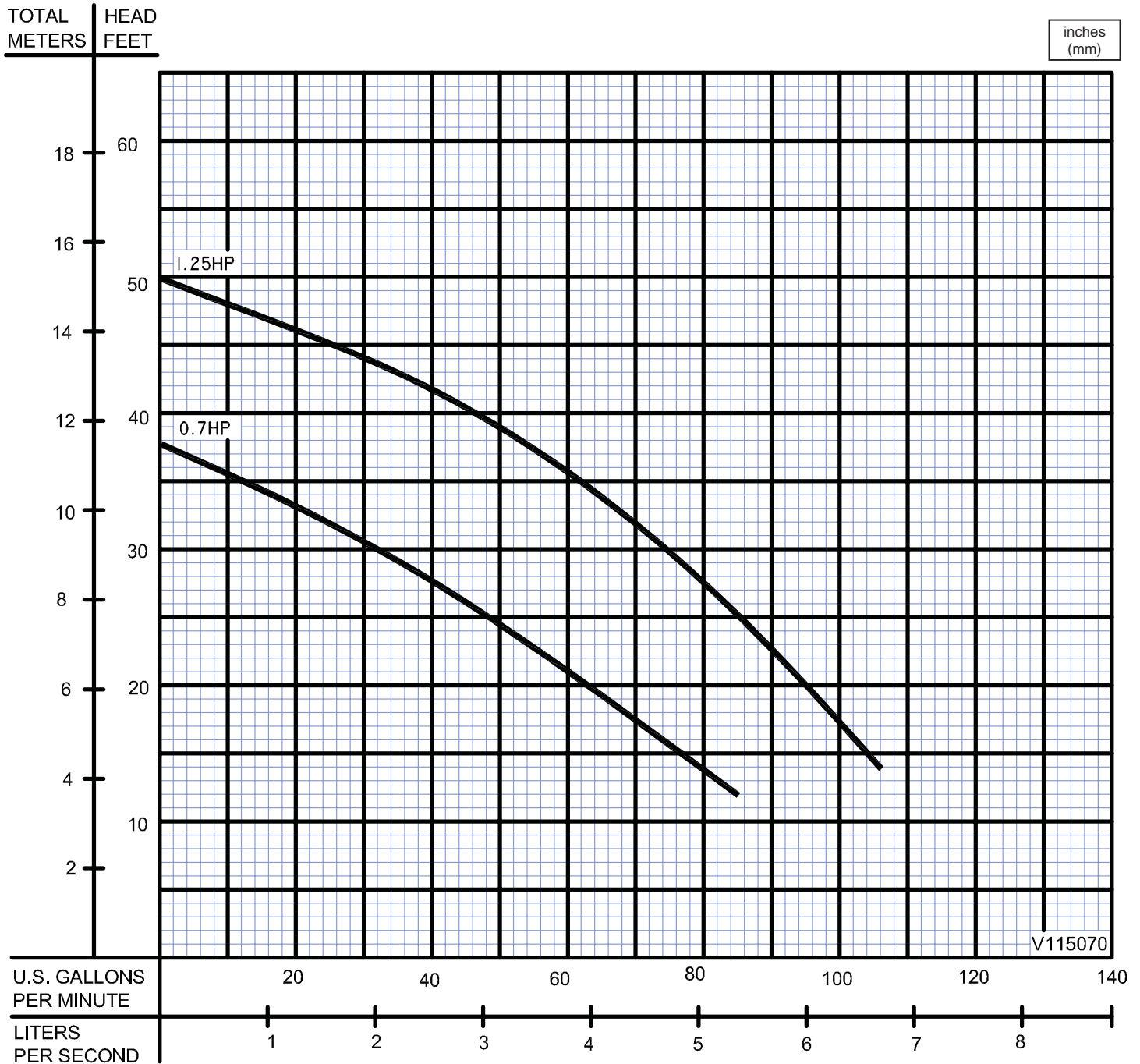
MODEL NO	PART NO	A DIM inch (mm)	HP	VOLT/PH	Hz	RPM (Nom)	FULL LOAD AMPS	PUMP WEIGHT
70	115165	17.76 (451)	0.7	120/1	60	3450	8.0	30 lbs (13.6kg)
71	115166	17.76 (451)	0.7	240/1	60	3450	4.0	30 lbs (13.6kg)
125	115167	18.54 (471)	1.25	120/1	60	3450	15.0	35 lbs (15.9kg)
126	115168	18.54 (471)	1.25	240/1	60	3450	7.6	35 lbs (15.9kg)

Pump rated for operation at ± 10% voltage at motor.

#### IMPORTANT !

- 1.) PUMP MAY BE OPERATED "DRY" FOR EXTENDED PERIODS WITHOUT DAMAGE TO MOTOR AND/OR SEALS.
- 2.) THIS PUMP IS APPROPRIATE FOR THOSE APPLICATIONS SPECIFIED AS CLASS I DIVISION II HAZARDOUS LOCATIONS.
- 3.) THIS PUMP IS NOT APPROPRIATE FOR THOSE APPLICATIONS SPECIFIED AS CLASS I DIVISION I HAZARDOUS LOCATIONS.
- 4.) INSTALLATIONS SUCH AS DECORATIVE FOUNTAINS OR WATER FEATURES PROVIDED FOR VISUAL ENJOYMENT MUST BE INSTALLED IN ACCORDANCE WITH THE NATIONAL ELECTRIC CODE ANSI/NFPA 70 AND/OR THE AUTHORITY HAVING JURISDICTION. THIS PUMP IS NOT INTENDED FOR USE IN SWIMMING POOLS, RECREATIONAL WATER PARKS, OR INSTALLATIONS IN WHICH HUMAN CONTACT WITH PUMPED MEDIA IS A COMMON OCCURRENCE.

### Other Submersible Dewatering Pumps



Testing is performed with water, specific gravity 1.0 @ 68° F @ (20°C), other fluids may vary performance