

Little GIANT®

WRS-8E

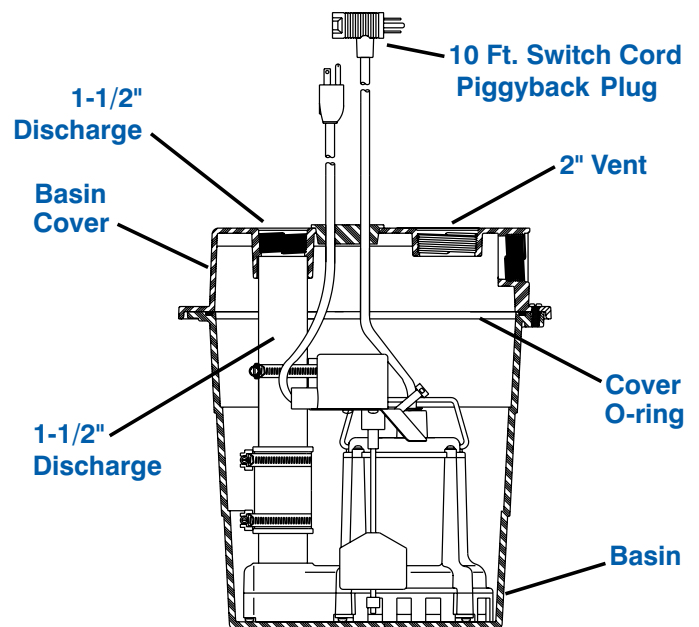


Features

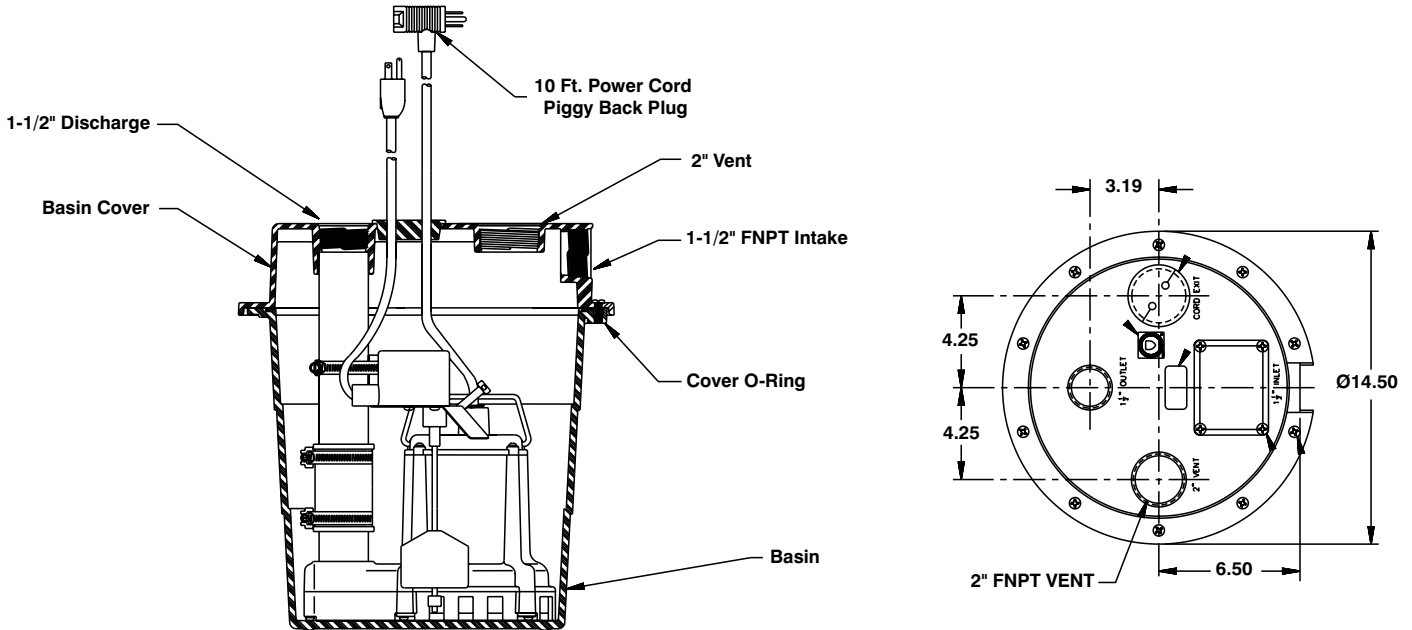
- Pump made of cast iron housing with protective epoxy coating for corrosion resistance
- 1/3 HP motor with thermal overload protection
- Pump handles 3/4" solids
- Basin made of polypropylene — light weight and corrosion resistant
- Basin designed with O-rings to provide a water-tight seal
- Cover comes with 1-1/2" FNPT discharge, a 1-1/2" FNPT intake opening, and a 2" FNPT vent
- IAPMO listed basin
- Pre-assembled, ready to be installed
- Remote vertical master switch with "on" level at 7"-10" and "off" level at 2"-5"



The largest of the Drainosaur® family, the Drainosaur® II, has 3/4" solids handling capability unique to this family of Wastewater Removal Systems (WRS). With higher head capability, the WRS-8E can be used in a wide range of applications where a higher head and solids handling (up to 3/4") is required. The Drainosaur® II removes water from laundry trays, wet bar sinks, dehumidifiers, air conditioners (condensate), water softeners, etc. It is installed above the floor, eliminating the need to dig a sump. Unit is pre-assembled and ready to install.



WRS-8E

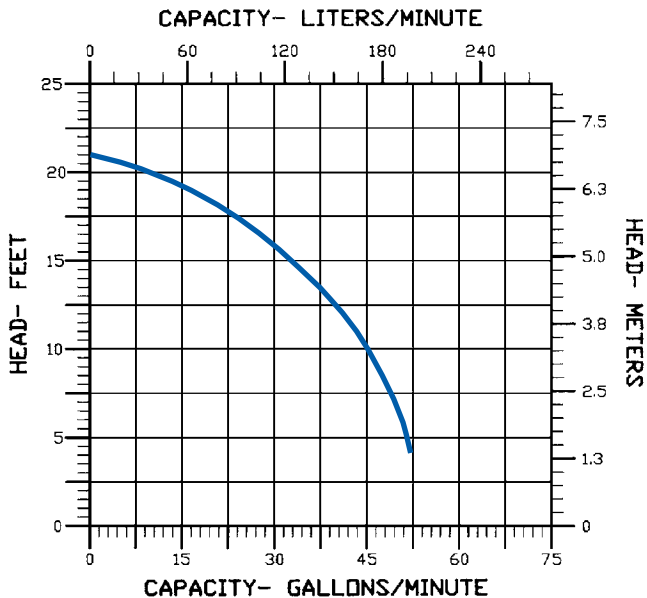


Specifications

Model No.	Item No.	Discharge Size	Listings	HP	Volts	Running Amps/Watts	Performance (GPM @ Head)			Shut Off Feet	PSI	Weight (lbs.)	Dimensions (W x H in.)
							5'	10'	15'				
WRS-8E	509150	1-1/2"	UL/CSA/IAPMO	1/3	115	11.5/900	52	45	33	21	9.1	24	13.88 x 15.56

(UL/CSA listing for pump only)

8E SERIES PUMP PERFORMANCE CURVE



Basin Construction

Basin Cover	Polypropylene
Basin Fluid Capacity (approx.)	5 gallons
Discharge Size	1-1/2" FNPT
Intake Size	1-1/2" FNPT
Vent Size	2" FNPT

Basin Construction

Motor Housing	Epoxy-coated cast iron
Impeller Material	Nylon
Impeller Type	Vortex
Volute	Epoxy-coated cast iron
Power Cord	SJTW
Mechanical Shaft Seal	Nitrile with carbon and ceramic faces
Fasteners	Stainless steel
Shaft	Stainless steel
Bearings	Upper and lower sintered sleeve bearings