

## WRS-5 WASTEWATER REMOVAL SYSTEM WITH 5-ASP PUMP



### EN INTRODUCTION

This instruction sheet provides you with the information required to safely own and operate your Little Giant pump. Retain these instructions for future reference.

The Little Giant pump you have purchased is of the highest quality workmanship and material, and has been engineered to give you long and reliable service. Little Giant pumps are carefully tested, inspected, and packaged to ensure safe delivery and operation. Please examine your pump carefully to ensure that no damage occurred during shipment. If damage has occurred, please contact the place of purchase. They will assist you in replacement or repair, if required.

**READ THESE INSTRUCTIONS CAREFULLY BEFORE ATTEMPTING TO INSTALL, OPERATE, OR SERVICE YOUR LITTLE GIANT PUMP. KNOW THE PUMP'S APPLICATION, LIMITATIONS, AND POTENTIAL HAZARDS. PROTECT YOURSELF AND OTHERS BY OBSERVING ALL SAFETY INFORMATION. FAILURE TO COMPLY WITH THESE INSTRUCTIONS COULD RESULT IN PERSONAL INJURY AND/OR PROPERTY DAMAGE!**

### DESCRIPTION

**READ BEFORE INSTALLATION!** This unit is designed to pump wastewater from laundry trays, washing machines, sinks, or dehumidifiers. It is not designed to pump raw sewage, fluids other than water, or fluids with solids. The inlet screen will remove many solids over 1/8" in diameter, but large amounts of solids can clog screen and result in pump failure. Maximum fluid temperature is 125° F. Unit is designed to fit under most sinks, so in many cases it is not necessary to recess the unit into the floor.

### ITEMS TO PURCHASE

**NOTE:** Some state or local codes require all electrical and/or plumbing connections to be made by a licensed contractor. It is the customer's responsibility to determine codes involved and to comply with these codes. If user can install unit, items to purchase are:

1. Inlet piping with trap and union. (Basin cover has 1-1/2" FNPT fitting.)
2. Discharge piping with swing check valve and union. (Basin cover has 1-1/2" FNPT fitting.)
3. Vent piping. (Basin cover has 2" FNPT fitting.)

### SAFETY GUIDELINES



**CAUTION:** During normal operation the pump is immersed in water. Use caution to prevent bodily injury when working near the pump. Remove the power plug from the power source prior to touching, servicing, or repairing the pump.

Read all instructions and safety guidelines thoroughly. Failure to follow the guidelines and the instructions could result in serious bodily injury and/or property damage.

Check local electrical and building codes before installation. The installation must be in accordance with these regulations.

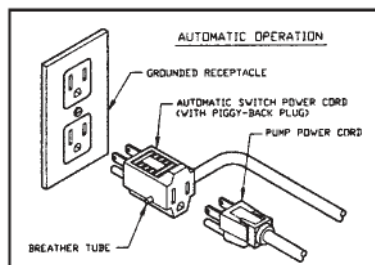
To minimize possible fatal electrical shock hazard, use extreme care when changing fuses. Do not stand in water while changing fuses or insert your finger into fuse socket.

### INSTALLATION



All plumbing must meet local codes. A licensed plumbing contractor is recommended. All fixtures connected to the WRS-5 must be vented according to state and local codes.

1. Determine the proper location for the unit. Locate it so that the inlet is gravity-fed. Unit will not draw water up from a lower level. Position and level basin. Keep basin away from any item that could puncture basin. Position selected should be convenient to inlet, discharge and vent piping and electrical supply.
2. Plumb inlet to basin cover fitting using 1-1/2" threaded pipe. Use a P-trap and a union next to the basin. Use



pipe joint compound and hand tighten only on plastic fittings. Do not reduce below 1-1/2" piping.

3. Plumb discharge to basin cover fitting using 1-1/2" threaded pipe. Use a swing check valve no more than 3" from top of basin cover and a union. Be sure check valve is installed in proper flow direction. If check valve is installed backwards, no water will flow out of unit. Be sure discharge piping is sealed with pipe joint compound and that lift height of pump is not exceeded. Hand tighten only on plastic fittings.
4. Plumb vent to fitting in basin cover using 2" threaded pipe. Use pipe joint compound on threads and hand tighten only on plastic fittings. Vent basin in accordance with state and local codes. The vent is essential for proper switch operation and must not be omitted or restricted. **CAUTION:** Do not use a mechanical vent with this product. A mechanical vent will cause improper operation of the automatic switch.
5. Connect power cord to electrical supply according to ELECTRICAL CONNECTIONS section. Secure power cord to piping with ties or tape. Fill unit with water through inlet. Pump should turn on with 6" to 7-3/4" of water in tank, and turn off when 3/4" to 1-1/2" of water is left in tank.

### ELECTRICAL CONNECTIONS



All wiring must meet local codes, and a licensed electrical contractor is recommended. The pump is supplied with a 3-prong vented plug. Plugs must be plugged into a grounded receptacle and vent tube must remain unobstructed for proper pump operation. Pump should be on a separate circuit with fuse or circuit breaker and ground fault circuit interrupter (GFCI). Be sure electrical supply matches pump nameplate data. Do not use extension cord. If installed in basement, plug connection should be 4 feet or more above floor, especially if basement floods. Be sure electrical connections cannot be reached by rising water. Under no circumstances should outlet box or receptacle be located where it may become flooded or submerged by water.

### MAINTENANCE



**WARNING:** Before performing any maintenance, shut off water inlet and disconnect power cord from supply outlet. Pump may become hot during operation. Allow pump to cool before servicing.

#### Basin Screen

Remove four 1/4-20 screen cover plate screws, plastic cover plate, o-ring, and screen. Clean inlet screen using a mild detergent and water. Examine o-ring and if deformed, replace with new o-ring. See replacement parts list.

#### Basin

Sediment may build up in basin causing pump to operate improperly. Remove ten 1/4-20 screws from cover. Remove cord grommet, loosen cords to allow slack, and remove cover.

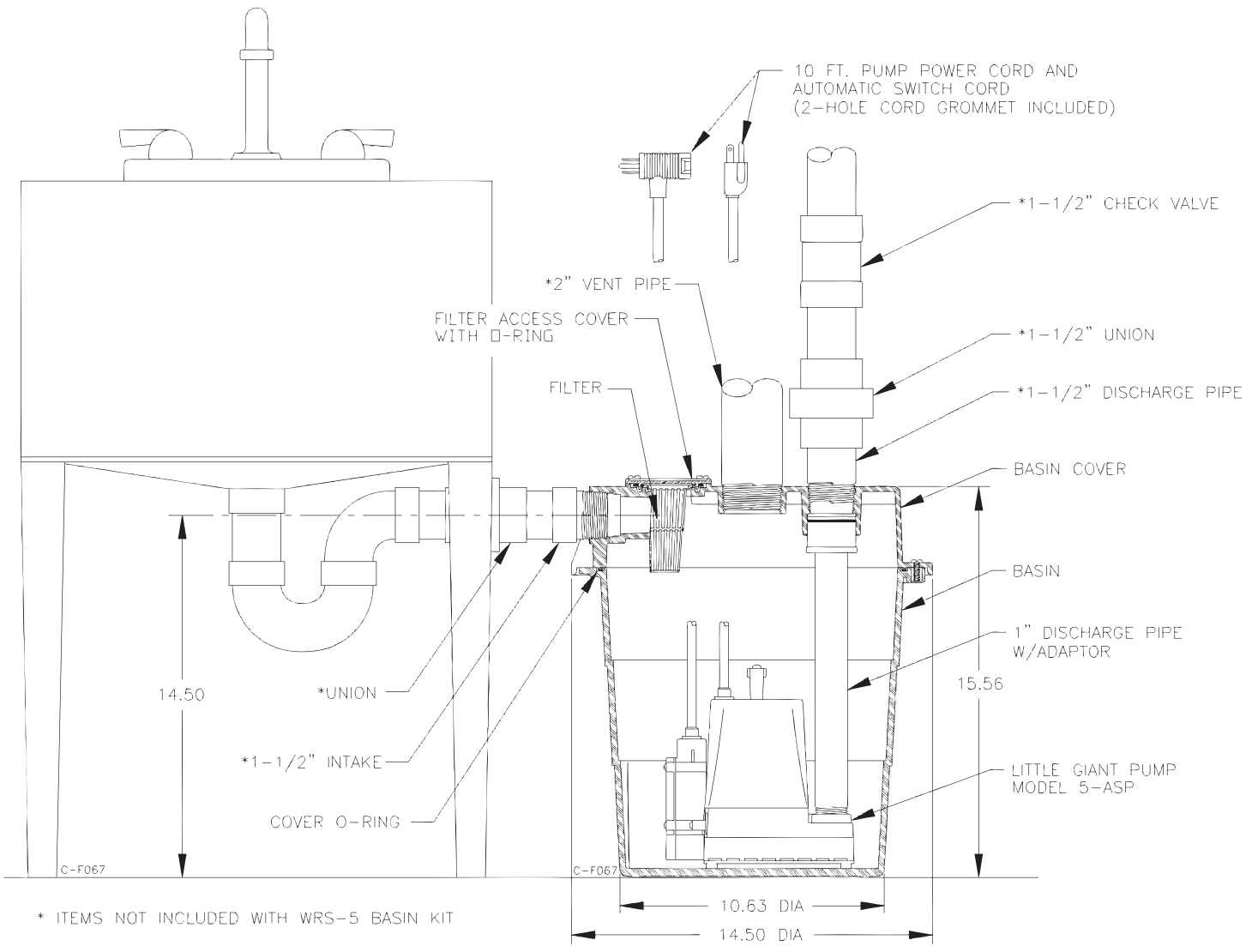
Remove pump and clean basin using a mild detergent and water. Reassemble in reverse order.

Torque screws to 18-20 in.-lbs.

If pump alignment plate is removed, reinstall it according to pump alignment diagram.

#### Pump

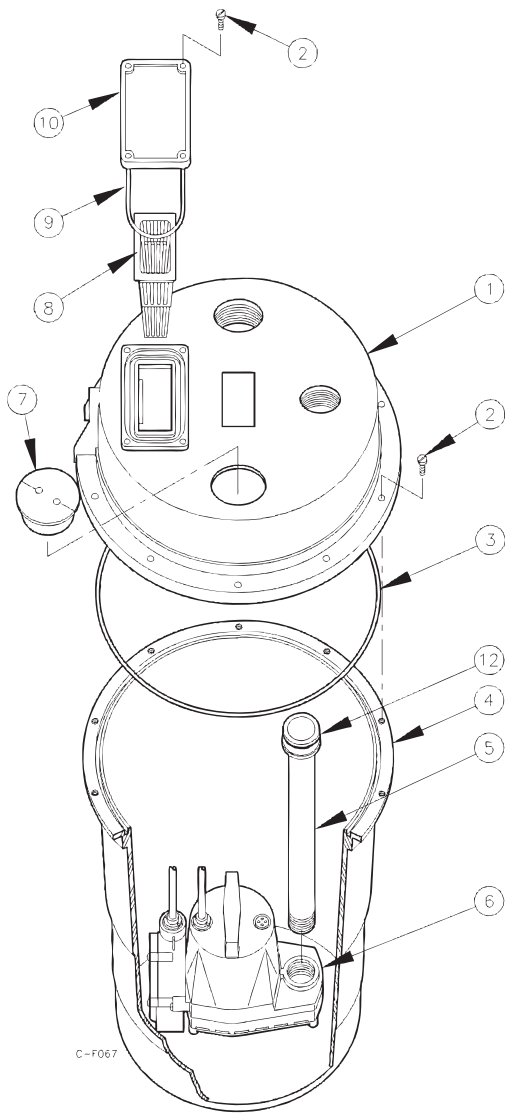
Sediment or lint can clog pump and cause improper operation. If necessary, remove pump and pull off the pressed-in screen, clean using a mild detergent and water, and reinstall. Plastic pump base may also be removed to clean around impeller and inside base. Remove the 6 base screws and clean base using a mild detergent and water. Do not remove impeller. When reinstalling base, be sure seal ring is seated properly in groove and torque screws to 10-15 in.-lbs. See pump manual for other information. For any other pump repair, return the pump to a Little Giant authorized service center.



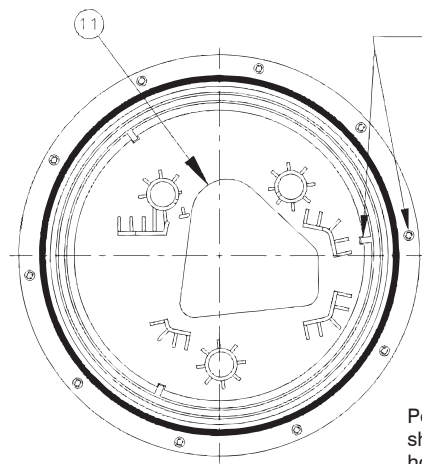
**TYPICAL INSTALLATION**

**SPECIFICATIONS**

MODEL NUMBER	CATALOG NUMBER	VOLTS	HERTZ	AMPS	WATTS	GALLONS PER HOUR (GPH) AT HEIGHT			SHUTOFF (FT.)	MAX. PSI
						5'	10'	15'		
WRS-5	505055	115	60	5	380	900	690	480	21	9.1



C-F067



Mounting hole lines up with a locating rib on the inside of the basin.

Position alignment plate (11) inside basin (4) as shown. This will allow proper alignment of mounting holes when installing basin cover (1).  
**Any other position will prevent installation of cover.**

ITEM	PART NUMBER	DESCRIPTION	QTY.
1	113130	Basin cover	1
2	901709	Screw, 1/4-20 x 5/8	14
3	924065	O-ring	1
4	113129	Basin	1
5	113139	Discharge pipe	1
6	505300	Pump, 5-ASP, 115V	1
7	925011	2-hole cord grommet	1
8	113131	Intake screen	1
9	924066	O-ring	1
10	113132	Cover plate, screen	1
11	113145	Alignment plate	1

For troubleshooting information, see pump instruction sheet included with WRS-5 Wastewater Removal System.

**ONE YEAR LIMITED WARRANTY**

FOR ONE YEAR FROM DATE OF PURCHASE, LITTLE GIANT WILL REPAIR THIS UNIT IF DEFECTIVE IN MATERIAL OR WORKMANSHIP. WARRANTY SERVICE IS AVAILABLE BY RETURNING THE UNIT PREPAID TO THE FACTORY. FOR FURTHER DETAILS, PLEASE CONSULT THE WARRANTY STATEMENT ON CARTON. THIS WARRANTY GIVES YOU SPECIFIC LEGAL RIGHTS, AND YOU MAY ALSO HAVE OTHER RIGHTS WHICH VARY FROM STATE TO STATE.

---

**For parts or repair, please contact . . . . . 1.888.572.9933**  
**For technical assistance, please contact . . . . . 1.888.956.0000**

**Pour des parties ou la réparation,**  
**entrez s'il vous plaît en contact . . . . . 1.888.572.9933**  
**Pour l'aide technique, entrez s'il vous plaît en contact . . . . 1.888.956.0000**

**Para partes o la reparación,**  
**por favor póngase en contacto . . . . . 1.888.572.9933**  
**Para la ayuda técnica, por favor póngase en contacto . . . . 1.888.956.0000**

**[www.LittleGiantPump.com](http://www.LittleGiantPump.com)**  
**[CustomerService-WTS@fele.com](mailto:CustomerService-WTS@fele.com)**

---