

Wastewater

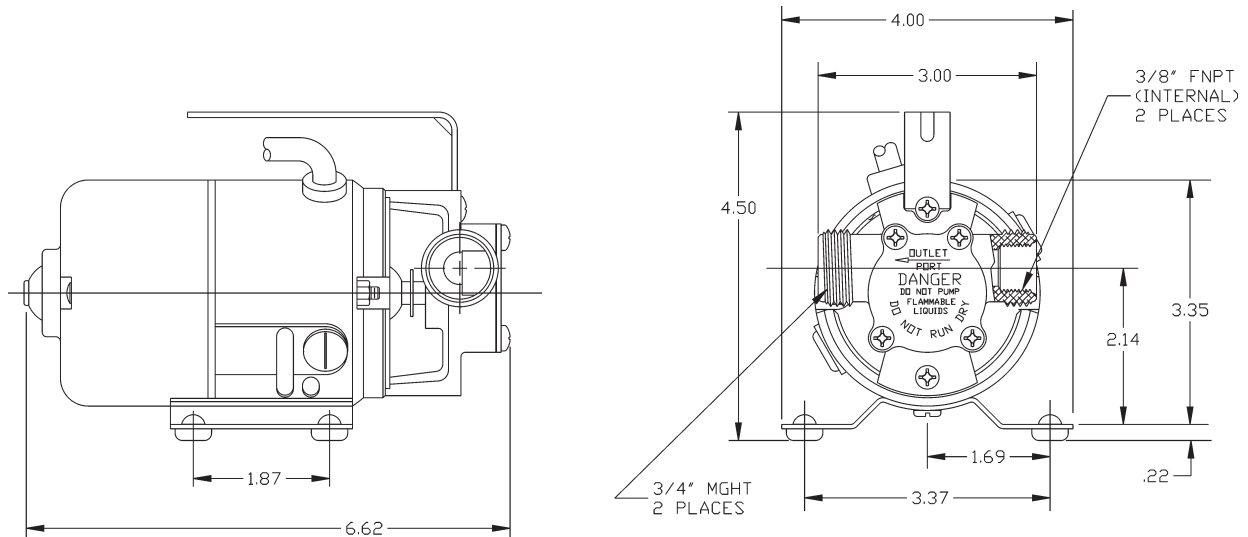
360S/365S Stainless Steel Series



Features

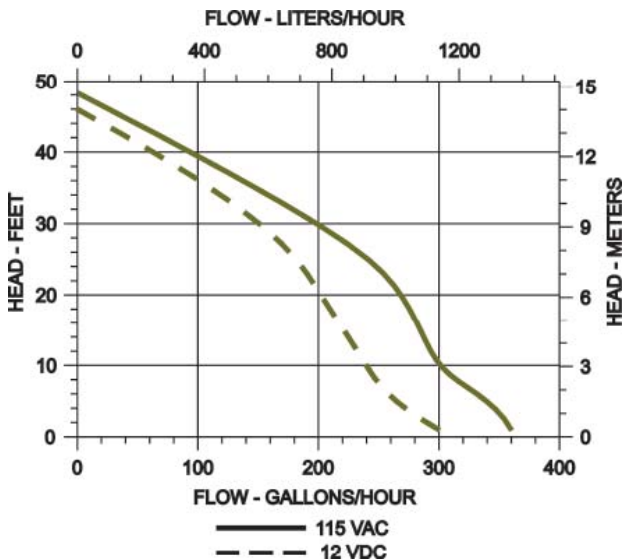
- Lifts liquid up to 7'
- Pumps up to 48' of shut off
- Rigid stainless steel handle
- Self-priming
- 6' cord with grounded plug
- Thermally protected motor (115 VAC)
- Two extra replacement impellers included

Dimensional Outline



Specifications

Model No.	Item No.	Discharge Size	Listing(s)	Volts/Hz	Amps	Performance (GPH@Head)					Shut Off		Pwr. Cord (ft.)	Weight (lbs.)
						1'	5'	10'	20'	30'	Feet	PSI		
360S	555103	3/4" MGHT / 3/8" FNPT	cULus	115VAC	1.6	360	342	300	270	198	48.3	20.9	6'	5.25
365S	555203	3/4" MGHT / 3/8" FNPT	N/A	12VDC	7.0	300	258	240	202	150	46.0	19.9	1'	3.75



Construction

Volute	Stainless Steel
Impeller	Buna-N
Housing	Stainless Steel
Cover	Stainless Steel
Shaft Seal	Buna-N
Cam	Stainless Steel



Franklin Electric

P.O. Box 12010
 Oklahoma City, OK 73157-2010
 Phone: 1.800.701.7894
 Fax: 1.800.678.7867
www.LittleGiantPump.com

©2007 Franklin Electric Co., Inc.
 Little Giant® is a registered trademark of Franklin Electric Co., Inc.
 Form 995178 - 12/08