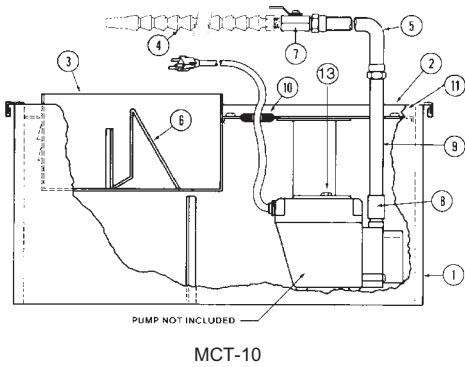
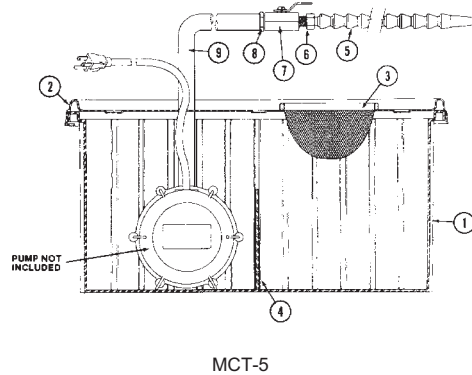


PARTS LIST FOR MCT-10		
ITEM NO.	MFR'S PART NO.	PART DESCRIPTION
1	160300	TANK ASSEMBLY (Steel)
2	160301	COVER (Steel)
3	160303	CHIP COLLECTOR (Steel)
4	160414	FLEX PLASTIC NOZZLE - 12"
5	160306	RUBBER HOSE (Coolant Hose)
6	160313	DEFLECTOR
7	940010	VALVE, METAL HOSE, 3/8"
8	945008	COUPLING PIPE - 1/2"
9	942186	NIPPLE, 1/2" X 6"
10	925002	GROMMET
11	902416	SCREW, TAP 8-18 X 3/8"
12	941023	ADAPTER, (Not Shown)
13	902429	SCREW, TAP 8-18 X 5/16"



PARTS LIST FOR MCT-5		
ITEM NO.	MFR'S PART NO.	PART DESCRIPTION
1	160115	TANK (5 Gal. Plastic)
2	160114	COVER, TANK
3	160206	SCREEN, CHIP
4	160116	BAFFLE, 4.9/8" X 9 3/4"
5	160413	FLEX PLASTIC NOZZLE -12"
6	949003	REDUCER, 3/8" NPT X 1/4" NPT
7	940010	VALVE, METAL HOSE 3/8"
8	941041	ADAPTER, 1/2" X 3/8" NPT
9	944202	TUBING, 1/2" X 6' VINYL
10	941004	ADAPTER, (Not Shown)



KEEP THIS FOLDER

File this for safe keeping. It may be valuable to you for service under the terms of the warranty.

Date of Purchase _____ Dealer Name _____

Little GIANT
Pump Company

3810 N. Tulsa • P.O. Box 12010
Oklahoma City, OK 73157-2010
(405) 947-2511 • FAX (405) 947-8720

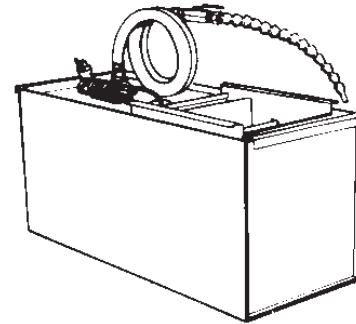
Little GIANT
Pump Company

LITTLE GIANT MACHINE TOOL COOLANT

Little Giant Pump Company
3810 N. Tulsa • P.O. Box 12010
Oklahoma City, OK 73157-2010
(405) 947-2511 • FAX (405) 947-8720

MCT-5P & MCT-10

OWNER'S MANUAL



MCT-10

- ASSEMBLY INSTRUCTIONS
- OPERATION
- REPAIR
- SAFETY

CAUTION
Read Safety Guidelines and Instructions Carefully.

PUMP NOT INCLUDED

See inside chart for recommended Little Giant Pump.

INTRODUCTION

LITTLE GIANT MACHINE TOOL COOLANTS are carefully packaged, inspected and tested to insure safe operation and delivery. When you receive the unit, examine it carefully to determine that there are no broken or damaged parts that may have occurred during shipment. If damage has occurred, make notation and notify the firm from which you purchased the unit. They will assist you in replacement or repair if required.

LITTLE GIANT MACHINE TOOL COOLANT comes without a pump. Use the chart inside to determine which pump is most suited for your use.

SAFETY GUIDELINES

1. Read all instructions and safety guidelines thoroughly. Failure to follow the guidelines and instructions could result in serious bodily injury and/or property damage.
2. Do not pump flammable liquids such as gasoline or fuel oil with Little Giant pumps.
3. When working on the MACHINE TOOL COOLANT or pump, make sure that the power is turned off.
4. Make sure that the outlet for the pump is grounded.
5. Refer to pump instruction sheet for safety guidelines specifically for the pump.

World's Largest Manufacturer of Centrifugal Pumps

MACHINE TOOL COOLANT PUMP ASSEMBLY

1. Tools required (MCT-10 only): screwdrivers; one small Phillips and one medium straight blade; 1/4" socket with drive; and a roll of teflon tape.
2. Unpack MACHINE TOOL COOLANT from the carton. Check the parts included with the parts diagram on the back of this sheet. For the MCT-10: remove chip collector and tank cover from tank by removing the 4 holding screws. Save these screws for later use.
3. Assembly:
 - 3-A.1 For MCT-10: Remove wrapping from package and take out the 6" long pipe nipple (there will be a coupling attached to one end). Attach the end of the nipple with the coupling to the 1/2" NPT discharge of the pump. Be sure to wrap one layer of teflon tape around the pipe threads and hand tighten only. NOTE: If 5-MSP pump is used for pumping, attach adaptor 941023 to the garden hose adaptor supplied with the pump attached to the pump discharge.
 - 3-A.2 Mount top of 3E or 4E pump to the bracket on the underside of tank cover with screws provided. Hand tighten screws into the pump. Front of pump (3E or 4E) must face the closest end of the tank. Force power cord through the hole with the rubber grommet. NOTE: If 5-MSP is used, pump will rest on bottom of tank, it is not fastened to the tank cover like the 3E or 4E pumps.
 - 3-A.3 Install tank cover back onto tank, use 4 screws to secure the cover (torque 25-30 inch-pounds).
 - 3-A.4 Place chip collector into tank. The louvers must face away from the pump end of the tank. Locate detector in chip collector with bend up against the divider and detector centered in the half of the chip collector without the louvers at the end. Refer to illustration on back cover of this instruction sheet for location.
 - 3-A.5 Attach the rubber coolant hose onto the nipple (use teflon tape on threads). Hand tighten only. Attach shutoff valve and flexible nozzle onto coolant hose (use teflon tape to seal all pipe threads).
 - 3-A.6 Your MACHINE TOOL COOLANT is now ready for operation. If any leakage occurs, tighten the leaking connections. If further problems develop contact your nearest LITTLE GIANT distributor.
 - 3-B.1 For MCT-5P: Determine what size pump you will need. Pumps will either have 1/2" MNPT discharge or 1/4" MNPT discharge. For pumps with 1/2" MNPT discharge use the 1/2" FNPT x 1/2" I.D. hose adaptor to discharge. Slip the 1/2" x 6' hose onto discharge the pump (or adapter).
 - 3-B.2 Place pump in one end of plastic tank. Insert baffle in middle of tank.
 - 3-B.3 Push cord on pump through one hole in the clear cover and push hose through the other hole. Install cover onto tank.
 - 3-B.4 Assemble nozzle-valve. Install flexible nozzle to plastic reducer then install plastic reducer onto valve (hand tighten only). Install barbed 1/2" hose x 3/8" NPT adaptor to valve. Slip 1/2" I.D. hose onto barbed adaptor.
 - 3-B.5 Place chip collector screen into hole on clear cover.
 - 3-B.6 Your MACHINE TOOL COOLANT is now ready for operation. If any leakage occurs, tighten fittings. If further problems result, please contact one of the authorized LITTLE GIANT distributors in your area.

MAINTENANCE

1. Never let sludge or excessive chips build up around pump. Periodically clear out the chip collector and any sludge that may accumulate in the bottom of the tank. The chip collector is designed to filter out abrasive media that may damage the pump. Baffles are used to aid in the filtering of sludge chips and will clean the coolant oil prior to being pumped.
2. See pump instructions for cleaning and servicing the pump.
3. Never operate MACHINE TOOL COOLANT without chip collector. Chips that get pumped through the pump head can damage the seal.

PUMP SELECTION

See chart below for pump selection and performance. Check pump materials of construction for chemical resistance of pump against the cutting oil you plan to use. Do not use cutting oil that may attack the materials used in the pump. Do not use cutting oils with viscosities greater than the pump can handle. The smaller LITTLE GIANT pumps that are used for the MCT-5P cannot pump 300 SSU cutting oil efficiently. Pumping oil of this viscosity can cause premature failure of the pump due to over-heating.

RECOMMENDED PUMPS FOR NEW UNITS, MCT-5P & MCT-10																	
FOR MCT UNIT	PUMP MODEL NO.	PUMP CAT. NO.	G.P.H. WATER SOLUBLE OIL					G.P.H. 110 SSU/CUTTING OIL					G.P.H. 300 SSU/CUTTING OIL				
			1"	3"	6"	12"	Shut Off	1"	3"	6"	12"	Shut Off	1"	3"	6"	12"	Shut Off
MCT-5P	1-Y	501020	72	60	36	—	7.4	24	14	—	—	3.5	—	—	—	—	—
	NK-1	526003	70	60	40	—	10.2	24	14	—	—	5.0	—	—	—	—	—
	NK-2	527003	82	78	64	6	12.3	35	29	19	2	6.1	—	—	—	—	—
	3E-12N	503103	127	123	113	89	17.3	89	86	79	62	16.8	70	65	60	47	15.7
	4E-34N	504103	134	128	119	100	23.1	95	89	81	68	18.3	75	71	64	54	17.5
MCT-10	3E-12N	503103	197	192	182	155	17.3	139	133	123	105	16.8	108	100	93	80	15.7
	4E-34N	504103	210	204	192	162	23.1	157	156	150	126	19.4	124	123	120	100	18.6
	5-MSP	505000	212	208	198	167	26.3	161	159	154	129	21.4	127	125	123	102	20.5
	6-CIM	506254	185	178	163	118	18.0	138	136	127	92	14.7	108	107	101	73	14.0

ONE YEAR LIMITED WARRANTY

For one year from the date of purchase, Little Giant Pump Company will repair this unit if defective in material or workmanship. Warranty service is available by returning the unit pre-paid to the factory. For further details concerning the terms of this warranty, please consult the warranty statement on carton. This warranty gives you specific legal rights, and you may also have other rights which vary from state to state.