



corrosion-resistant self-priming shallow well jet pumps



PN Series Shallow Well Jet Pumps are corrosion- and abrasion-resistant and are ideal for wells with pumping levels of 25' or less.

Self-priming after the pump housing is initially filled with water.

Capacities to 18 GPM. Available in 1/2, 3/4 and 1 HP models.

Supplied with the industry standard 30-50 pressure switch setting.

APPLICATIONS

- Water Systems
- Booster Pump
- Marine Use
- Mist Sprayers – Poultry
- Fountains and Water Features

SPECIFICATIONS

Body and Seal Plate – Fiberglass reinforced thermoplastic
Impeller – Engineered polymer
Base – 12 gauge steel
Nozzle, Venturi, Diffuser – Polypropylene

PN SERIES

FEATURES

Quality Construction – Fiberglass reinforced thermoplastic body provides total corrosion resistance and high resistance to abrasion.

Built-in Jet – Shallow well jet has corrosion resistant polypropylene nozzle and venturi.

Impeller – Precision molded for perfect balance... ultra smooth for highest performance and efficiency.

Precision Molded Diffuser – Polypropylene diffuser allows pump to prime faster, handle more air.

Heavy-duty Motor – Stainless steel shaft and dual heavy duty ball bearings.

Heavy-duty Ball Bearings – Shielded, permanently lubricated bearings, extensively tested to ensure extended life and smooth, quiet operation.

Dual Voltage Capability – Dual voltage motors are shipped at the 230 Volt setting.

Professional Quality, Pre-set 30-50 PSI – Allows for cut in pressure adjustments.

New Nozzle Clean-out – Easy plug removal and access for ease of service.

New Drain Plug – Bottom mounted for easy draining and winterization.

ORDERING INFORMATION

Catalog Number	HP	Description	Pipe Tapping Sizes		Motor Voltage	Approx. Wt. Lbs./Kg.
			Suct.	Disch.		
5PN	1/2	Shallow Well Jet	1-1/4"	1"	115/230	21/9.5
7PN	3/4	Shallow Well Jet	1-1/4"	1"	115/230	24/11
10PN	1	Shallow Well Jet	1-1/4"	1"	115/230	26/12

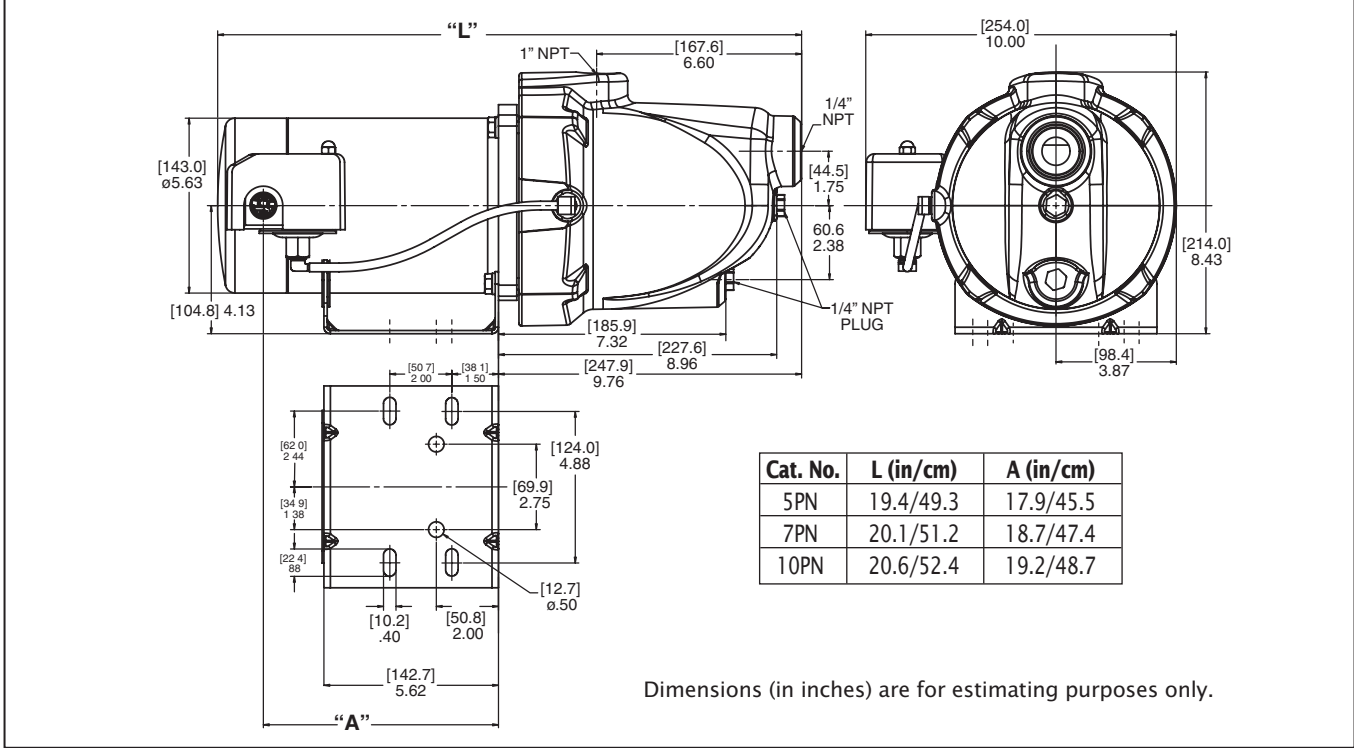
PRO-Source™ is a trademark of Pentair Water.

In order to provide the best products possible, specifications are subject to change.

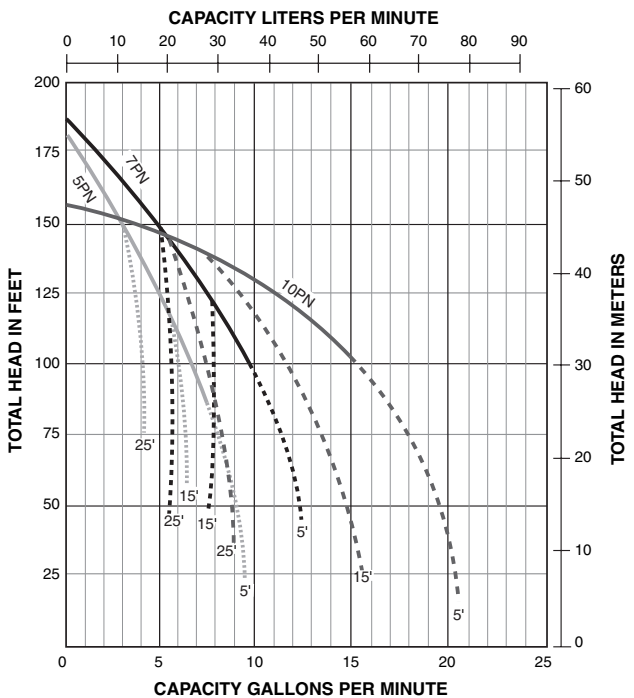


corrosion-resistant self-priming shallow well jet pumps

OUTLINE DIMENSIONS



PUMP PERFORMANCE – 10 GPM



PUMP PERFORMANCE (Capacity in Gallons/Liters Per Minute)

Catalog Number	HP	Total Suction Lift Ft/M	Discharge Pressure PSI/Bar			Shut Off PSI/Bar
			30/2.1	40/2.8	50/3.5	
5PN	1/2	5/1.5	8.5/32.2	7.4/28.0	5.2/19.7	77/5.30
		10/3.0	7.1/26.9	6.4/24.2	5.1/19.3	
		15/4.6	6.5/24.6	6.1/23.1	4.5/17.0	
		20/6.1	5.4/20.4	5.1/19.3	4.1/15.5	
7PN	3/4	5/1.5	12.1/45.8	10.7/40.5	8.5/32.2	78/5.37
		10/3.0	10.7/40.5	10.2/38.6	8.4/31.8	
		15/4.6	9.0/34.1	8.5/32.2	8.1/30.7	
		20/6.1	7.6/28.8	7.3/27.6	7.1/26.9	
10PN	1	5/1.5	18.0/68.1	16.8/63.6	13.5/51.1	67/4.62
		10/3.0	17.1/64.7	16.1/60.9	13.4/50.7	
		15/4.6	14.9/56.4	14.4/54.5	13.0/49.2	
		20/6.1	12.6/47.7	12.2/46.2	12.0/45.4	
		25/7.6	8.8/33.3	8.5/32.2	8.1/30.7	

Pumps will operate at all depths shown, with pressure switch set at 30-50 PSI. Tested and rated in accordance with Water Systems Council Standards.

NOTE: Pumps installed with a PRO-Source™ tank require a 100 PSI relief valve. Pumps installed with a conventional tank require a 75 PSI relief valve. Relief valve must be capable of relieving entire flow of pump at relief pressure.

