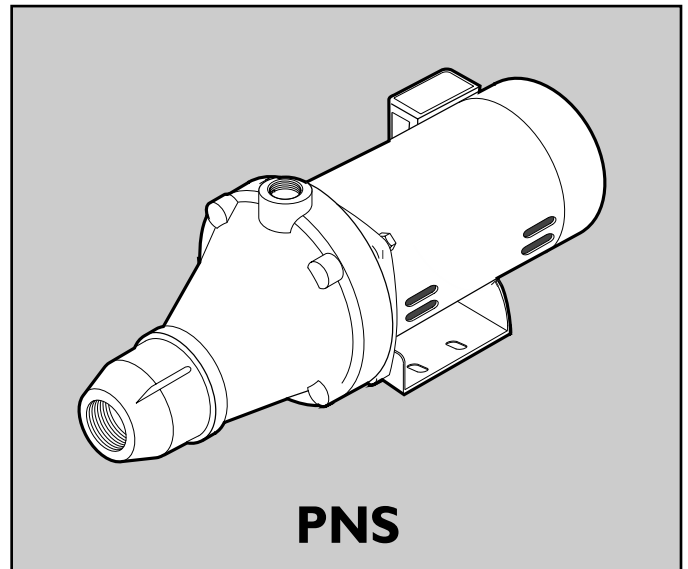
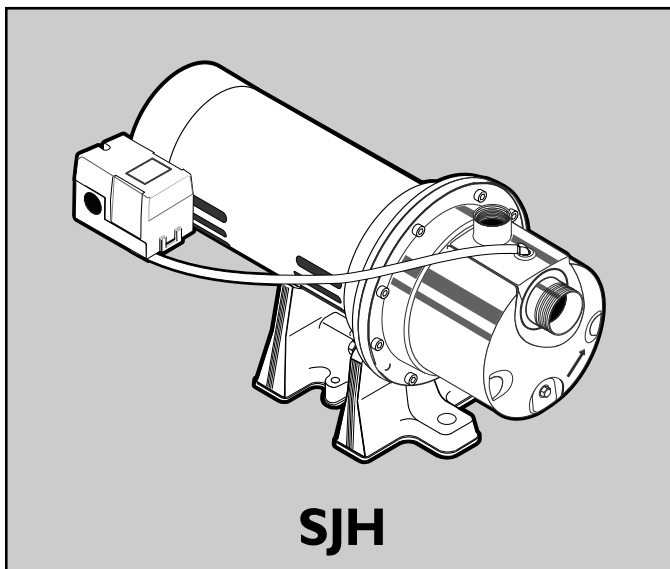
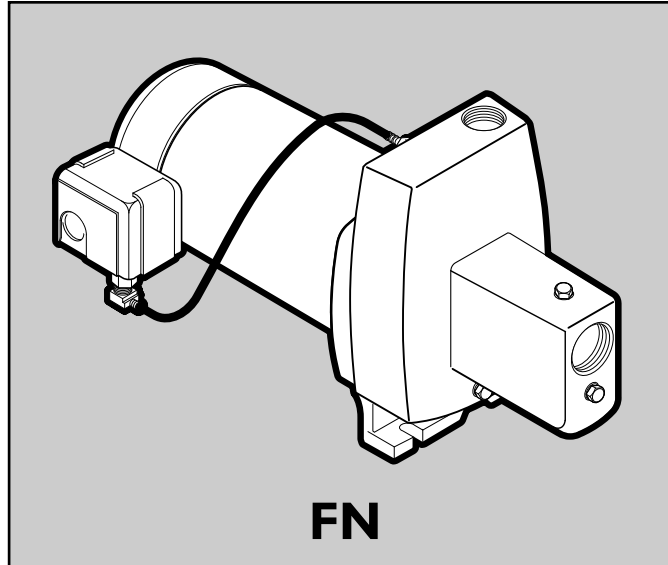




293 Wright St., Delavan WI 53115

OWNER'S MANUAL
**Shallow Well Jet Pumps/
Tank Systems**



Installation/Operation/Parts

For further operating, installation, or maintenance assistance:

Call 1-800-363-PUMP (7867)

READ AND FOLLOW SAFETY INSTRUCTIONS!

⚠ This is the safety alert symbol. When you see this symbol on your pump or in this manual, look for one of the following signal words and be alert to the potential for personal injury:

⚠ DANGER warns about hazards that **will** cause serious personal injury, death or major property damage if ignored.

⚠ WARNING warns about hazards that **can** cause serious personal injury, death or major property damage if ignored.

⚠ CAUTION warns about hazards that **will** or **can** cause minor personal injury or property damage if ignored.

The label **NOTICE** indicates special instructions which are important but not related to hazards.

Carefully read and follow all safety instructions in this manual and on pump.

Keep safety labels in good condition.

Replace missing or damaged safety labels.

ELECTRICAL SAFETY

⚠ WARNING Capacitor voltage may be hazardous. To discharge motor capacitor, hold insulated handle screwdriver **BY THE HANDLE** and short capacitor terminals together. Do not touch metal screwdriver blade or capacitor terminals. If in doubt, consult a qualified electrician.

GENERAL SAFETY

⚠ CAUTION Do not touch an operating motor. Modern motors are designed to operate at high temperatures. To avoid burns when servicing pump, allow it to cool for 20 minutes after shut-down before handling.

Do not allow pump or any system component to freeze. To do so will void warranty.

Pump water only with this pump.

Periodically inspect pump and system components.


Wear safety glasses at all times when working on pumps.

Keep work area clean, uncluttered and properly lighted; store properly all unused tools and equipment.


Keep visitors at a safe distance from the work areas.

Make workshops childproof; use padlocks and master switches; remove starter keys.

⚠ WARNING Pump body may explode if used as a booster pump unless relief valve capable of passing full pump flow at 75 psi is installed.

<p>⚠ WARNING</p> 
<p>Hazardous voltage. Can shock, burn, or cause death.</p> <p>Ground pump before connecting to power supply. Disconnect power before working on pump, motor or tank.</p>

- ⚠** Wire motor for correct voltage. See “Electrical” section of this manual and motor nameplate.
- ⚠** Ground motor before connecting to power supply.
- ⚠** Meet National Electrical Code, Canadian Electrical Code, and local codes for all wiring.
- ⚠** Follow wiring instructions in this manual when connecting motor to power lines.

<p>⚠ WARNING</p> 	<p>Hazardous pressure! Install pressure relief valve in discharge pipe.</p> <p>Release all pressure on system before working on any component.</p>
--	---

Thank you for purchasing a top quality, factory tested pump.

	Page
General Safety	2
Warranty	3
Installation	4,5
Connecting Discharge Piping.....	6
Electrical	7,8
Preparing To Start The Pump.....	8
Troubleshooting	9
Repair Parts	10-13

ATTACH ORIGINAL RECEIPT HERE FOR WARRANTY CONSIDERATION.

Berkeley Limited Warranty

Berkeley/Wicor Canada Company ("Wicor") warrants to the original consumer purchaser ("Purchaser") of its products that they are free from defects in material or workmanship.

If within twelve (12) months from the date of installation or twenty-four (24) months from the date of manufacture any such product shall prove to be defective, it shall be repaired or replaced at Berkeley's/Wicor's option, subject to the terms and conditions set forth below.

General Terms and Conditions

Purchaser must pay all labor and shipping charges necessary to replace product covered by this warranty. This warranty shall not apply to products which, in the sole judgement of Berkeley/Wicor, have been subject to negligence, abuse, accident, misapplication, tampering, alteration; nor due to improper installation, operation, maintenance or storage; nor to other than normal application, use or service, including but not limited to, operational failures caused by corrosion, rust or other foreign materials in the system, or operation at pressures in excess of recommended maximums.

Requests for service under this warranty shall be made by contacting the installing Berkeley/Wicor dealer as soon as possible after the discovery of any alleged defect. Berkeley/Wicor will subsequently take

corrective action as promptly as reasonably possible. No requests for service under this warranty will be accepted if received more than 30 days after the term of the warranty.

The warranty on all three phase submersible motors is void if three-leg overload protection of recommended size is not used.

This warranty sets forth Berkeley's/Wicor's sole obligation and purchaser's exclusive remedy for defective products.

BERKELEY/WICOR SHALL NOT BE LIABLE FOR ANY CONSEQUENTIAL, INCIDENTAL, OR CONTINGENT DAMAGES WHATSOEVER.

THE FOREGOING WARRANTIES ARE EXCLUSIVE AND IN LIEU OF ALL OTHER EXPRESS WARRANTIES. IMPLIED WARRANTIES, INCLUDING BUT NOT LIMITED TO THE IMPLIED WARRANTIES OF MERCHANTABILITY AND FITNESS FOR A PARTICULAR PURPOSE, SHALL NOT EXTEND BEYOND THE DURATION OF THE APPLICABLE EXPRESS WARRANTIES PROVIDED HEREIN.

Some states do not allow the exclusion or limitation of incidental or consequential damages or limitations on how long an implied warranty lasts, so the above limitations or exclusions may not apply to you. This warranty gives you specific legal rights and you may also have other rights which vary from state to state.

In the U.S.: Berkeley, 293 Wright St., Delavan, WI 53115

In Canada: Wicor Canada Company, 1800 Courtney Park Drive East, Unit 5-7, Mississauga, Ontario L5T 1W1

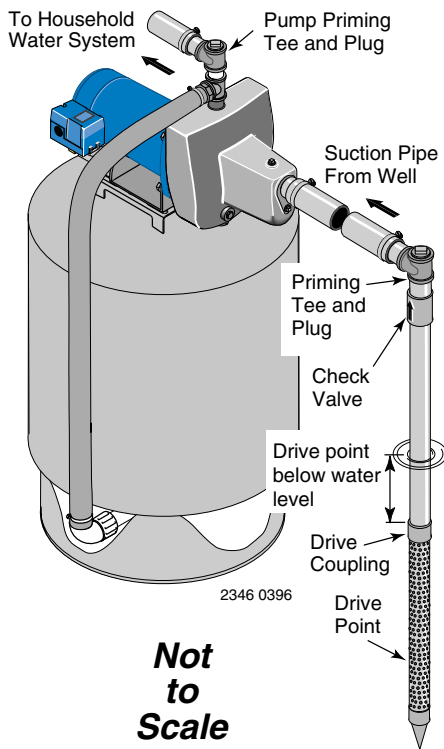


Figure 1: Driven Point Installation

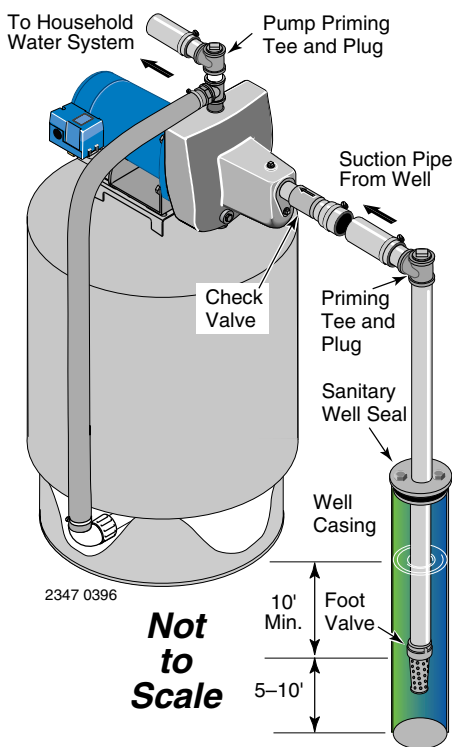


Figure 2: Cased Well Installation

REPLACING AN OLD PUMP

⚠ WARNING Hazardous voltage. Disconnect power to pump before working on pump or motor.

- Step 1. Drain and remove the old pump. Check the old pipe for scale, lime, rust, etc., and replace it if necessary.
- Step 2. Install the pump in the system. Make sure that all pipe joints in the suction pipe are air-tight as well as water tight. *If the suction pipe can suck air, the pump will not be able to pull water from the well.*
- Step 3. Adjust the pump mounting height so that the plumbing connections do not put a strain on the pump body. Support the pipe so that the pump body does not take the weight of piping or fittings.

You have just completed the well plumbing for your new shallow well jet pump. Please go to Page 6 for discharge pipe and tank connections.

WELL POINT (DRIVEN POINT) INSTALLATION (FIGURE 1)

Step 1. Drive the well, using “drive couplings” and a “drive cap”. “Drive fittings” are threaded all the way through and allow the pipe ends to butt against each other so that the driving force of the maul is carried by the pipe and not by the threads. The ordinary fittings found in hardware stores are not threaded all the way through the fitting and can collapse under impact. “Drive fittings” are also smoother than standard plumbing fittings, making ground penetration easier.

Step 2. Mount the pump as close to the well as possible

Step 3. Use the fewest possible fittings (especially elbows) when connecting the pipe from the well point to the pump suction port. The suction pipe should be at least as large as the suction port on the pump (include a check valve if your pump is not equipped with one – see Figure 1). Support the pipe so that there are no dips or sags in the pipe, so it doesn’t strain the pump body, and so that it slopes slightly upward from the well to the pump (high spots can cause air pockets which can air lock the pump). Seal the suction pipe joints with teflon tape or a teflon based pipe joint compound. Joints must be air- and water-tight. *If the suction pipe can suck air, the pump cannot pull water from the well.* If one well point does not supply enough water, consider connecting two or three well points to one suction pipe.

You have just completed the suction piping for your new shallow well jet pump. Please go to Page 6 for discharge pipe and tank connections.

CASED WELL INSTALLATION, 2” OR LARGER CASING (FIGURE 2)

Step 1. Mount the pump as close to the well as possible.

Step 2. Assemble the foot valve, strainer, and well pipe (see Figure 2). Make sure that the foot valve works freely.

Step 3. Lower the pipe into the well until the strainer is five feet above the bottom of the well. It should also be at least 10 feet below the well’s water level *while the pump is running* in order to prevent the pump from sucking air. Install a sanitary well seal.

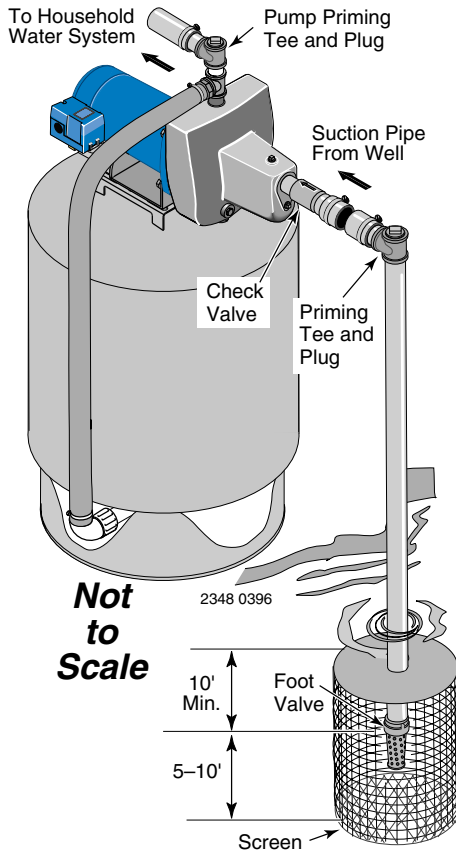


Figure 3: Surface Water Installation

Step 4. Install a priming tee, priming plug, and suction pipe to the pump (see Figure 2). Connect the pipe from the well to the pump suction port, using the fewest possible fittings – especially elbows – as fittings increase friction in the pipe (however, include a foot valve – see Figure 2). The suction pipe should be at least as large as the suction port on the pump. Use teflon tape or a teflon-based pipe joint compound on threaded pipe joints. Support the pipe so that there are no dips or sags in the pipe, so it doesn't strain the pump body, and so that it slopes slightly upward from the well to the pump (high spots can cause air pockets which can air lock the pump). Seal the suction pipe joints with teflon tape or a teflon based pipe joint compound. Joints must be air- and water-tight. *If the suction pipe can suck air, the pump cannot pull water from the well.*

You have just completed the suction piping for your new shallow well jet pump. Please go to Page 6 for discharge pipe and tank connections.

INSTALLATION FOR SURFACE WATER (FIGURE 3)

- Step 1. The pump should be installed as close to the water as possible, with the fewest possible fittings (especially elbows) in the suction pipe. The suction pipe should be at least as large as the suction port on the pump.
- Step 2. Assemble a foot valve and suction pipe (see Figure 3). Make sure that the foot valve works freely. Use teflon tape or a teflon-based pipe joint compound on threaded pipe joints. Protect the foot valve assembly from fish, trash, etc, by installing a screen around it (see Figure 3).
- Step 3. Lower the pipe into the water until the strainer is five feet above the bottom. It should also be at least 10 feet below the water level in order to prevent the pump from sucking air.
- Step 4. Install a priming tee, priming plug, and suction pipe to the pump (see Figure 3). Support the pipe so that there are no dips or sags in the pipe, so it doesn't strain the pump body, and so that it slopes slightly upward from the well to the pump (high spots can cause air pockets which can air lock the pump). Seal the suction pipe joints with teflon tape or a teflon based pipe joint compound. Joints must be air- and water-tight. *If the suction pipe can suck air, the pump cannot pull water from the well.*

You have just completed the plumbing for your new shallow well jet pump. Please go to Page 6 for discharge pipe and tank connections.

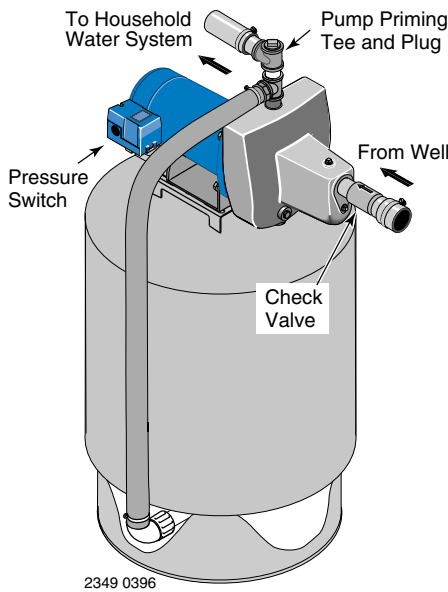


Figure 4: Pre-charged Tank Connections

PRE-CHARGE TANK CONNECTION (FIGURE 4)

- Step 1. Install two tees in the pump discharge port (see Figure 4). The pipe size must be at least as large as the discharge port.
- Step 2. Run a pipe or reinforced hose from one arm of the first tee to the port on the pre-charged tank.
- Step 3. Connect the other end of the discharge tee to your plumbing system.
- Step 4. Check the pre-charge of air in the tank with an ordinary tire gauge. The pre-charge should be 2 PSI less than the cut-in setting of the pump's pressure switch. The pre-charge is measured *when there is no water pressure in the tank*. Your new pump has a 30/50 PSI switch, so adjust the tank pre-charge pressure to 28 PSI.

Congratulations! You have just completed the tank connection for your jet pump.

Please go to Page 7 for electrical hookup.

STANDARD TANK CONNECTION (FIGURE 5)

- Step 1. Install one tee in the pump discharge port (see Figure 5).
- Step 2. Run a pipe from the pump discharge port to the inlet port of your tank. The pipe size must be at least as large as the discharge port.
- Step 3. Remove the 1/8" NPT pipe plug from the pump Air Volume Control (AVC) port (see Figure 5). Run tubing from the pump's AVC port (see Figure 5) to the port on the AVC mounted on the tank. See instructions provided with tank and AVC for details. AVC port location will vary, depending on your pump model (see exploded view, Page 9).

Congratulations! You have just completed the tank connection for your jet pump.

Please go to Page 7 for electrical hookup.

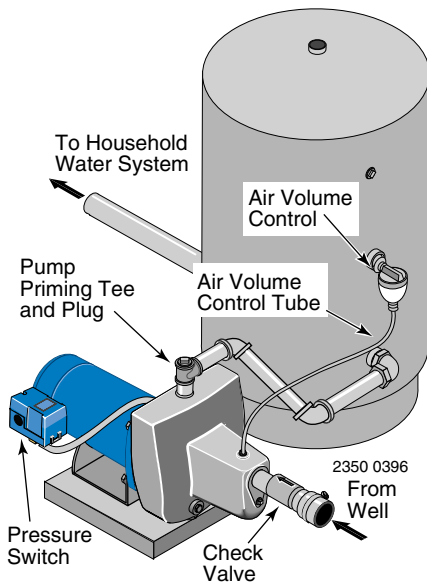


Figure 5: Standard Tank Connections

Sealing Pipe Joints

Use Teflon tape or Teflon based joint compounds for making all threaded connections. Make sure that all pipe joints in the suction pipe are air tight as well as water tight. *If the suction pipe can suck air, the pump will not be able to pull water from the well.*

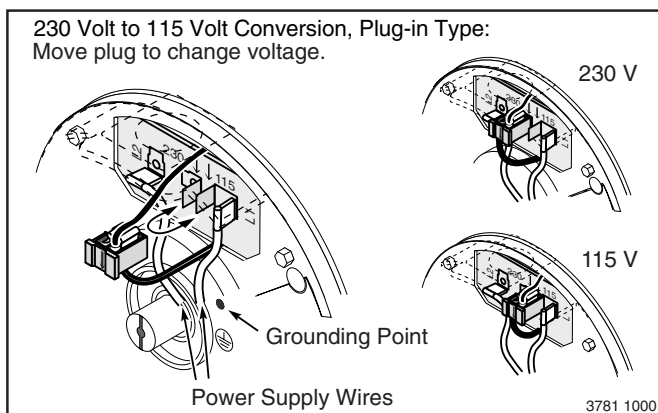
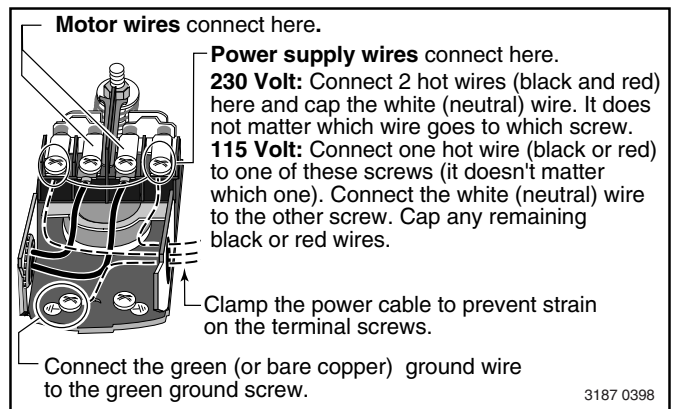
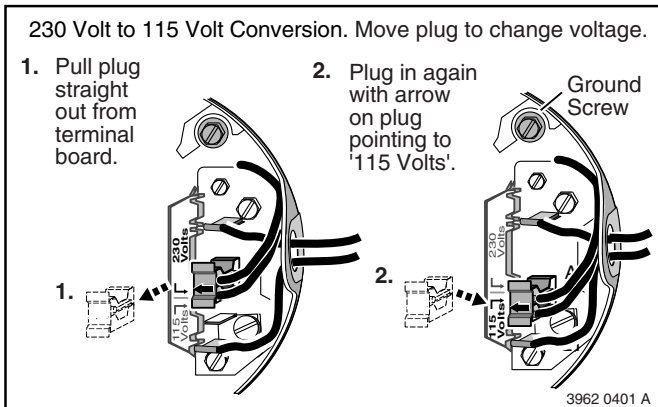
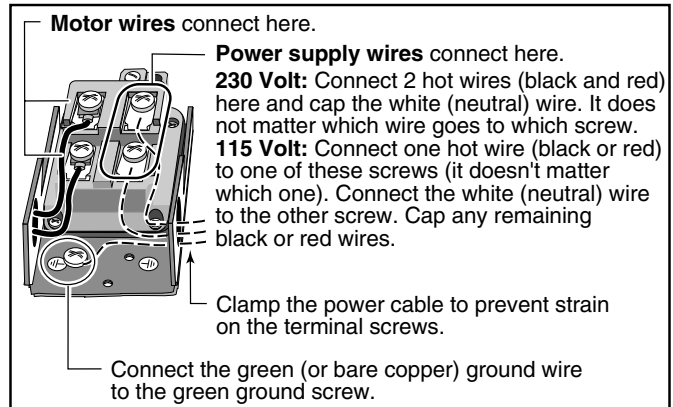
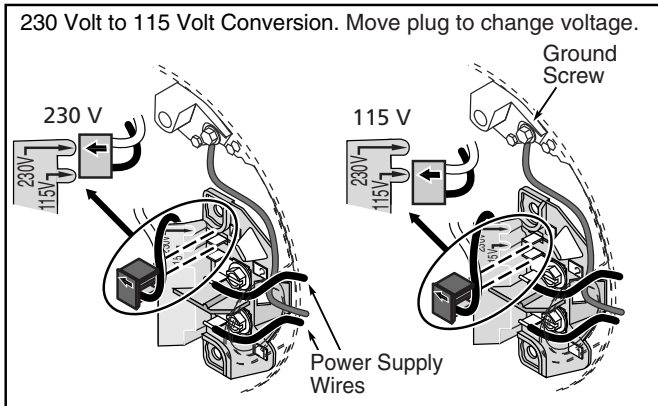
Wiring Chart – Recommended Wire and Fuse Sizes

Model	Motor HP	Volts	Max. Load Amp	Branch Fuse Rating Amp	DISTANCE IN FEET(METERS) FROM MOTOR TO SUPPLY				
					0 - 100 (0 - 30)	101 - 200 (31 - 61)	201 - 300 (62 - 91)	301 - 400 (92 - 122)	401 - 500 (123 - 152)
					AWG WIRE SIZE (mm ²)				
5FN-L	1/2	115/230	9.4/4.7	15/15	14/14(2/2)	10/14(5.5/2)	10/14(5.5/2)	6/14(14/2)	6/12(14/3)
7FN-L	3/4	115/230	12.4/6.2	20/15	12/14(3/2)	10/14(5.5/2)	8/14(8.4/2)	6/12(14/3)	6/12(14/3)
5PN, 05PNS11S	1/2	115/230	9.4/4.7	15/15	14/14(2/2)	10/14(5.5/2)	10/14(5.5/2)	6/14(14/2)	6/12(14/3)
7PN, 07PNS11S	3/4	115/230	12.2/6.1	20/15	12/14(3/2)	10/14(5.5/2)	8/14(8.4/2)	6/12(14/3)	6/12(14/3)
07SJH11C	3/4	115/230	14.8/7.4	20/15	12/14(3/2)	8/14(8.4/2)	6/14(14/2)	6/12(4/3)	4/10(21/5.5)
10SJH11C	1	115/230	19.2/9.6	25/15	10/14(5.5/2)	8/14(8.4/2)	6/12(14/3)	4/10(21/5.5)	4/10(21/5.5)

⚠ Disconnect power before working on pump, motor, pressure switch, or wiring.

Your Motor Terminal Board (under the motor end cover) and Pressure Switch look like one of those shown below. Convert to 115 Volts as shown. Do not change motor

wiring if line voltage is 230 Volts or if you have a single voltage motor. Connect power supply as shown for your type of switch and your supply voltage.



⚠ WARNING Hazardous voltage. Can shock, burn, or kill. Connect ground wire before connecting power supply wires. Use the wire size (including the ground wire) specified in the wiring chart. If possible, connect the pump to a separate branch circuit with no other appliances on it.

⚠ WARNING Explosion hazard. Do not ground to a gas supply line.

WIRING CONNECTIONS

⚠ WARNING Fire hazard. Incorrect voltage can cause a fire or seriously damage the motor and voids the warranty. The supply voltage must be within $\pm 10\%$ of the motor nameplate voltage.

NOTICE: Dual-voltage motors are factory wired for 230 volts. If necessary, reconnect the motor for 115 volts, as shown. Do not alter the wiring in single voltage motors.

Figure 6: Motor wiring connections through Pressure Switch. Match motor voltage to line voltage.

Install, ground, wire, and maintain your pump in compliance with the National Electrical Code (NEC) in the U.S., or the Canadian Electrical Code (CEC), as applicable, and with all local codes and ordinances that apply. Consult your local building inspector for code information.

Connection Procedure:

- Step 1. Connect the ground wire first as shown in Figure 6. The ground wire must be a solid copper wire at least as large as the power supply wires.
- Step 2. There must be a solid metal connection between the pressure switch and the motor for motor grounding protection. If the pressure switch is not connected to the motor, connect the green ground screw in the switch to the green ground screw under the motor end cover. Use a solid copper wire at least as large as the power supply wires.
- Step 3. Connect the ground wire to a grounded lead in a service panel, to a metal underground water pipe, to a metal well casing at least ten feet (3M) long, or to a ground electrode provided by the power company or the hydro authority.
- Step 4. Connect the power supply wires to the pressure switch as shown in Figure 6.

PREPARING TO START THE PUMP

CAUTION Never run pump dry. Running pump without water may cause pump to overheat, damaging seal and possibly causing burns to persons handling pump. Fill pump with water before starting.

WARNING Never run pump against closed discharge. To do so can boil water inside pump, causing hazardous pressure in unit, risk of explosion and possibly scalding persons handling pump.

- Step 1. Remove the priming plug from the priming tee and fill the pump. Fill all piping between the pump and the well and make sure that all piping in the well is full. If you have also installed a priming tee in the suction piping, remove the plug from the tee and fill the suction piping.
- Step 2. Replace all fill plugs.
- Step 3. **Power on!** Start the pump. If you don't have water after 2 or 3 minutes, stop the pump and remove the fill plugs. Refill the pump and piping. You may have to repeat this several times in order to get all the trapped air out of the piping. A pump lifting water 25' may take as long as 15 minutes to prime.
- Step 4. After the pump has built up pressure in the system and shut off, check the pressure switch operation by opening a faucet or two and running enough water out to bleed off pressure until the pump starts. The pump should start when pressure drops to 30 PSI and stop when pressure reaches 50 PSI. Run the pump through one or two complete cycles to verify correct operation. This will also help clean the system of dirt and scale dislodged during installation.

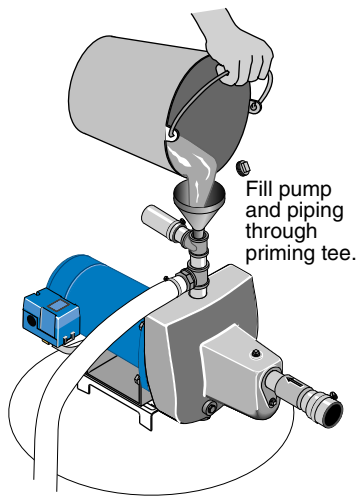


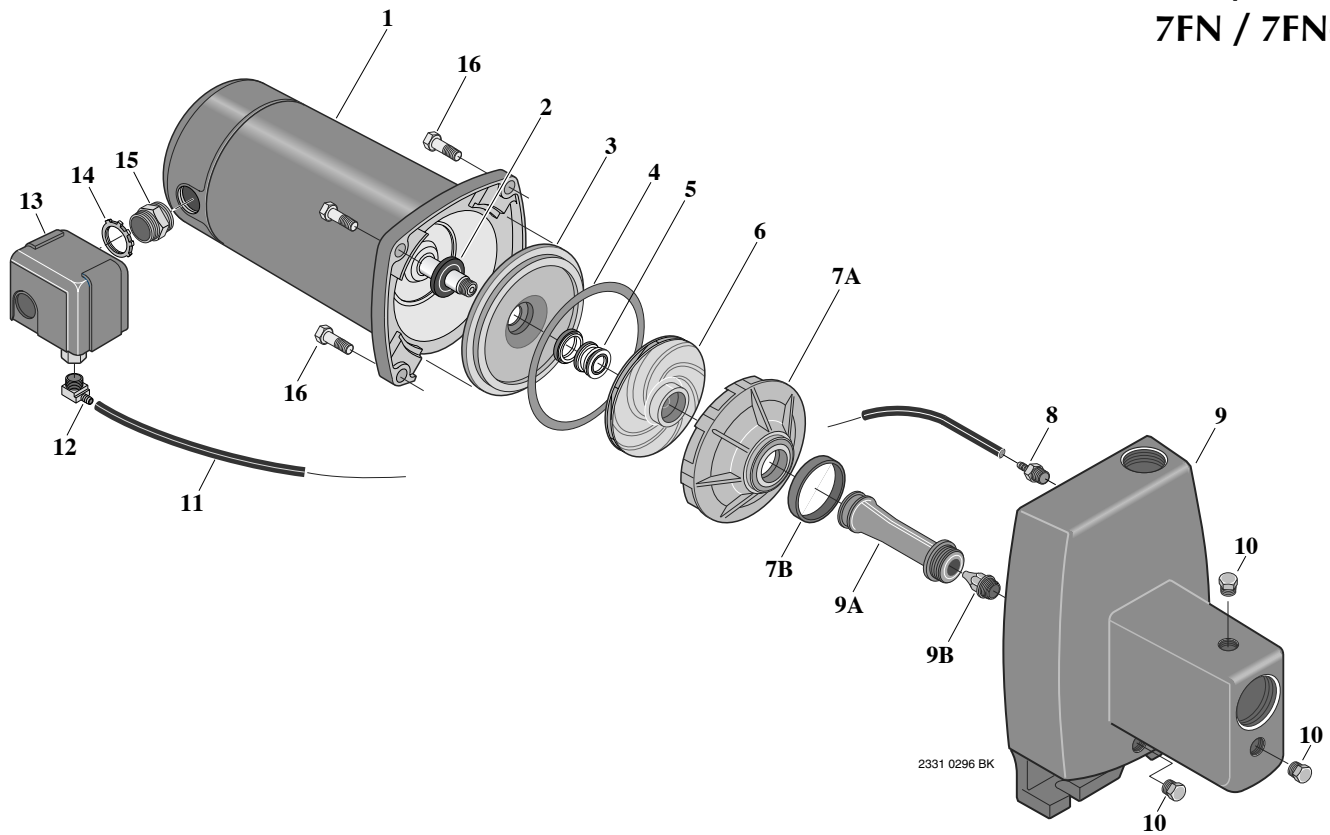
Figure 7: Prime the Pump

Congratulations on a successful installation.

If you were unsuccessful, please refer to the Troubleshooting section (Page 9).

SYMPTOM	POSSIBLE CAUSE(S)	CORRECTIVE ACTION
Motor will not run	<p>Disconnect switch is off Fuse is blown or circuit breaker tripped Starting switch is defective Wires at motor are loose, disconnected, or wired incorrectly</p> <p>Pressure switch contacts are dirty</p>	<p>Be sure switch is on. Replace fuse or reset circuit breaker. DISCONNECT POWER; Replace starting switch. Refer to instructions on wiring (Page 7). DISCONNECT POWER; check and tighten all wiring.</p> <p>⚠️ WARNING Capacitor voltage may be hazardous. To discharge capacitor, hold insulated handle screwdriver BY THE HANDLE and short capacitor terminals together. Do not touch metal screwdriver blade or capacitor terminals. If in doubt, consult a qualified electrician. DISCONNECT POWER and file contacts with emery board or nail file.</p>
Motor runs hot and overload kicks off	<p>Motor is wired incorrectly Voltage is too low</p> <p>Pump cycles too frequently</p>	<p>Refer to instructions on wiring. Check with power company. Install heavier wiring if wire size is too small (See Electrical / Wiring Chart). See section below on too frequent cycling.</p>
<p>Motor runs but no water is delivered*</p> <p>* (Note: <i>Stop pump</i>; then check prime before looking for other causes. Unscrew priming plug and see if water is in priming hole).</p>	<p>Pump in new installation did not pick up prime through: 1. Improper priming 2. Air leaks 3. Leaking foot valve or check valve</p> <p>Pump has lost prime through: 1. Air leaks 2. Water level below suction pipe inlet</p> <p>Foot valve or strainer is plugged Ejector or impeller is plugged Check valve or foot valve is stuck shut Pipes are frozen Foot valve and/or strainer are buried in sand or mud Water level is too low for shallow well setup to deliver water</p>	<p>In new installation:</p> <ol style="list-style-type: none"> 1. Re-prime according to instructions. 2. Check all connections on suction line, AVC, and ejector with soapy water or shaving cream. 3. Replace foot valve or check valve. <p>In installation already in use:</p> <ol style="list-style-type: none"> 1. Check all connections on suction line and shaft seal. 2. Lower suction line into water and re-prime. If receding water level in well exceeds 25' (7.6M), a deep well pump is needed. <p>Clean foot valve or strainer. Clean ejector or impeller. Replace check valve or foot valve. Thaw pipes. Bury pipes below frost line. Heat pit or pump house. Raise foot valve and/or strainer above bottom of water source. Clean foot valve and strainer. A deep well jet package may be needed (over 25 ft. to water) to deliver water.</p>
Pump does not deliver water to full capacity	<p>Water level in well is lower than estimated Steel piping (if used) is corroded or limed, causing excess friction Piping is too small in size Packed well point</p>	<p>A deep well jet will be needed if your well is more than 25' (7.6M) depth to water. Replace with plastic pipe where possible, otherwise with new steel pipe.</p> <p>Use larger piping. Backflush well point or sink new point.</p>
Pump delivers water but does not shut off or pump cycles too frequently	<p>Pressure switch is out of adjustment or contacts are welded together Faucets have been left open Venturi, nozzle or impeller is clogged Standard pressure tank is waterlogged and has no air cushion Pipes leak Foot valves leak Air charge too low in pre-charged tank</p>	<p>DISCONNECT POWER; adjust or replace pressure switch.</p> <p>Close faucets. Clean venturi, nozzle or impeller. Drain tank to air volume control port. Check AVC for defects. Check all connections for air leaks. Check connections. Replace foot valve. DISCONNECT POWER and open faucets until all pressure is relieved. Using tire pressure gauge, check air pressure in tank at valve stem located on the tank. If less than pressure switch cut-in setting (30-50 PSI), pump air into tank from outside source until air pressure is 2 PSI less than cut-in setting of switch. Check air valve for leaks (use soapy solution) and replace core if necessary.</p>
Air spurts from faucets	<p>Pump is picking up prime Leak in suction side of pump Well is gaseous Intermittent over-pumping of well. (Water drawn down below foot valve.)</p>	<p>When pump has picked up prime, it should pump solid water with no air. Suction pipe is sucking air. Check joints for leaks with soapy water. Consult factory about installing a sleeve in the well Lower foot valve if possible, otherwise restrict pump discharge</p>

Exploded View
5FN / 5FN-L
7FN / 7FN-L

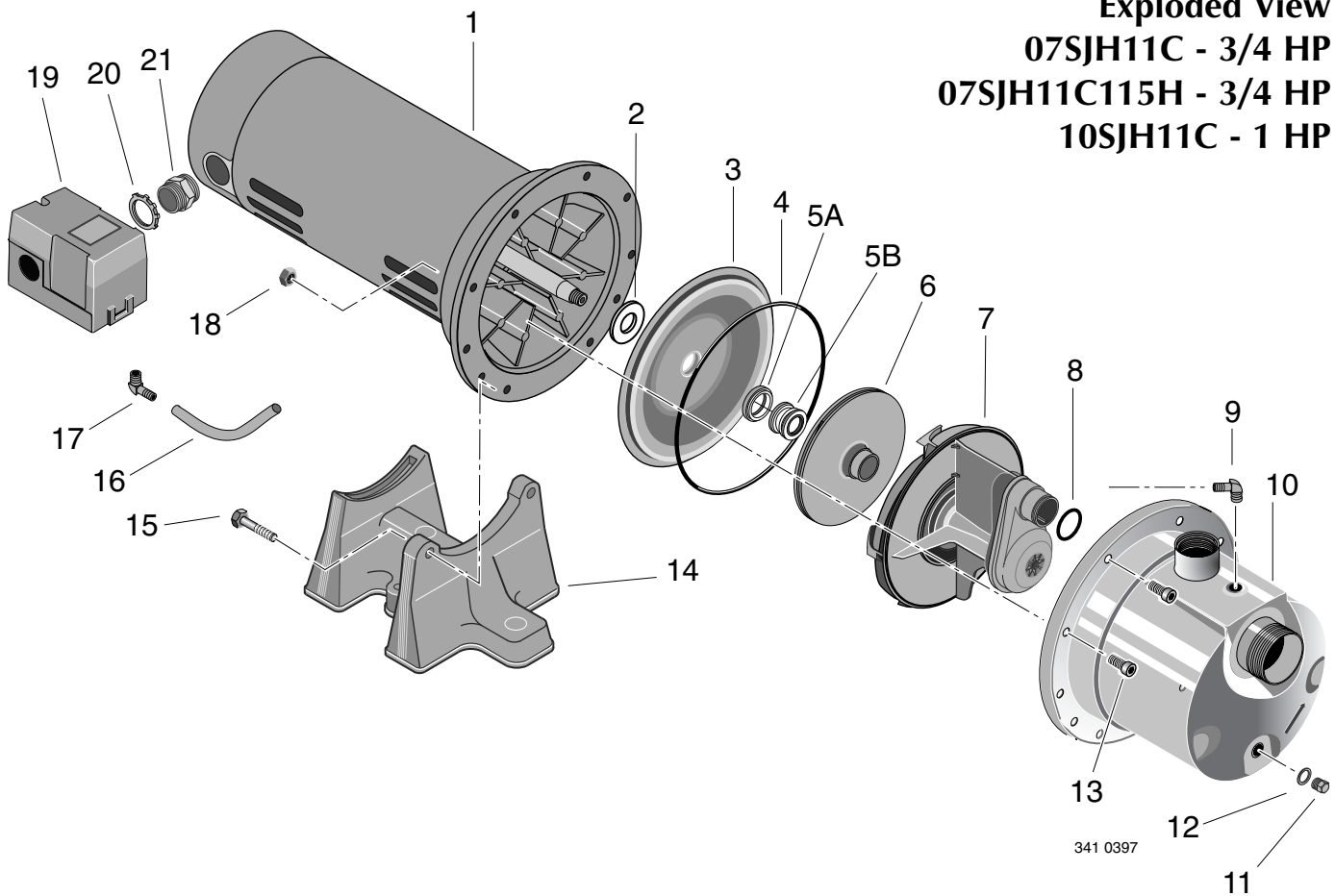


REPAIR PARTS LIST

Key No.	Part Description	No. Used	5FN 5FN-L 1/2 HP	7FN 7FN-L 3/4 HP
1	Motor	1	A100CLL	A100DLL
2	Water Slinger	1	17351-0009	17351-0009
3	Seal Plate	1	N3-9	N3-9
4	Seal Plate Gasket	1	N20-35	N20-35
5	Shaft Seal	1	U109-6A	U109-6A
6	Impeller	1	J105-40P	J105-42P
7A	Diffuser	1	L1-25P	L1-25P
7B	Diffuser Gasket	1	N20-34	N20-34
8	Barbed Fitting - Straight - 1/4" NPT	1	U111-211T	U111-211T
9	Pump Body - Assembly	1	N176-38	N126-38F
9A	Venturi	(1)	N32P-66	N32P-75
9B	Nozzle	(1)	N34P-17	N34P-21
10	Pipe Plug - 1/4" NPT Hex Hd.	3	U78-941ZPV	U78-941ZPV
11	Tube 3/8" O.D. x 14-1/2" Lg.	1	U37-672P	U37-672P
12	Barbed Fitting - Elbow - 1/4" NPT	1	U111-212T	U111-212T
13	Pressure Switch	1	U217-1225	U27-1202
14	Locknut - 1/2"	1	U36-112ZP	U36-112ZP
15	Connector	1	L43-5C	L43-5C
16	Hex Capscrew - 3/8" - 16 x 1-1/4" Lg.	4	U30-75ZP	U30-75ZP
•	Pressure Gauge	1	U239-2	U239-2

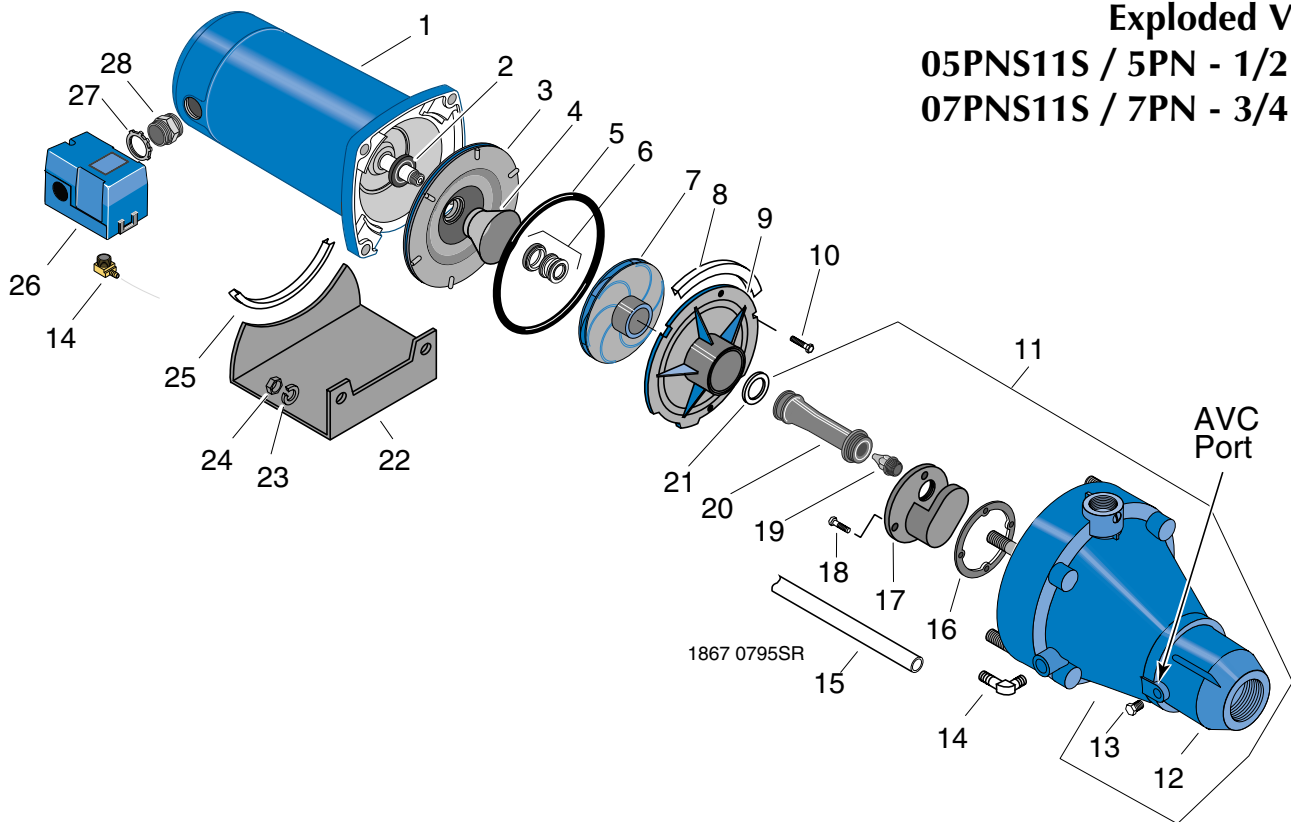
• Not illustrated.

Exploded View 07SJH11C - 3/4 HP 07SJH11C115H - 3/4 HP 10SJH11C - 1 HP



REPAIR PARTS LIST

Key No.	Part Description	No. Used	07SJH11C 07SJH11C115H 3/4 HP	10SJH11C 1 HP
1	Motor	1	J218-1006	J218-1007
2	Slinger	1	C69-7	C69-7
3	Seal Plate	1	784S0070	784S0070
4	O-Ring	1	111P0490	111P0490
5A	Shaft Seal Seat	1	111P0510	111P0510
5B	Shaft Seal Rotating	1	111P0500	111P0500
6	Impeller	1	101P1720	101P1730
7	Venturi	1	101P2900	101P2900
8	O-Ring	1	111P1100	111P1100
9	90° Hose Barb	1	171P4750T	171P4750T
10	Pump Body	1	723S0850	723S0850
11	Plug, Stainless Steel	1	121P2100	121P2100
12	Washer	1	111P0990	111P0990
13	Screw, Socket Head	8	121P0310	121P0310
14	Base	1	C4-42P	C4-42P
15	Bolt	2	U30-73SS	U30-73SS
16	Pressure Switch Tube	1	U37-677P	U37-677P
17	1/4" NPT 90° Hose Barb	1	U111-212T	U111-212T
18	Nut	8	U36-207SS	U36-207SS
19	Pressure Switch	1	U217-1202	U217-1202
20	1/2" Locknut	1	U36-112ZP	U36-112ZP
21	Connector	1	L43-5C	L43-5C

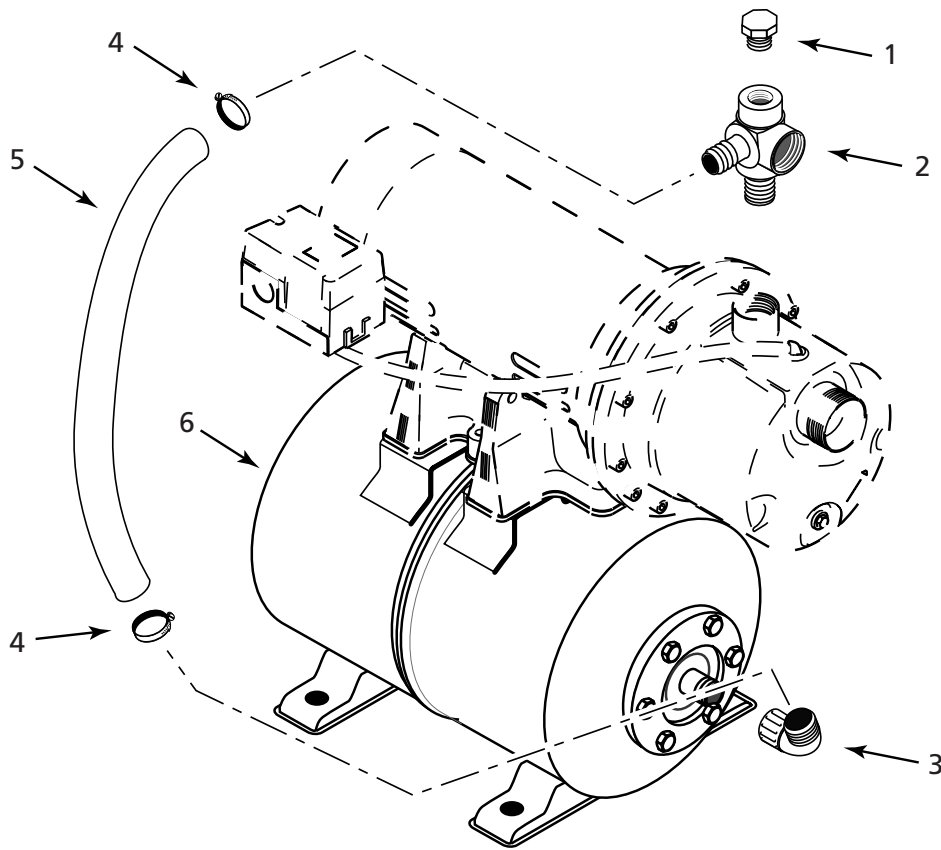


Exploded View
05PNS11S / 5PN - 1/2 HP
07PNS11S / 7PN - 3/4 HP

REPAIR PARTS LIST

Key No.	Part Description	Qty.	05PNS11S 5PN 1/2 HP	07PNS11S 7PN 3/4 HP
1	Motor	1	A100CLL	A100DLL
2	Water Slinger	1	17351-0009	17351-0009
3	Seal Plate Assembly (Incl. #5)	1	N103-12PSS	N103-12PSS
4	Heat Sink	1	J3-2SS	J3-2SS
5	"O" Ring	1	U9-390	U9-390
6	Shaft Seal	1	U109-6A	U109-6A
7	Impeller	1	J105-40PF	J105-42PTB
8	Rubber Pad	1	C35-41	C35-41
9	Diffuser	1	N1-28P	N1-28P
10	Capscrew #10-16 Hex Head	2	U30-738SS	U30-738SS
11	Pump Body Assembly (incl. #12 thru #18)	1	N176-35P	N176-35PA
12	Pump Body	1	N76-35P	N76-35P
13	Pipe Plug 1/8" NPT Taped	1	WC78-41T	WC78-41T
14	Comp. Elbow 1/4" NPT w/TFE	2	U111-86T	U111-86T
15	Switch Tube	1	U37-670P	U37-670P
16	Gasket - Plastic	1	J20-18	J20-18
17	Pump Jet Body Insert	1	N76-29P	N76-29P
18	Capscrew #10-16	4	U30-742SS	U30-742SS
19	Nozzle	1	N34P-17	N34P-19
20	Venturi	1	N32P-78	N32P-66
21	"O" Ring	1	U9-201	U9-201
22	Base Assembly Painted	1	J104-9F	J104-9F
23	Lock Washer 3/8"	4	U43-12ZP	U43-12ZP
24	Nut 3/8-16	4	U36-38ZP	U36-38ZP
25	Rubber Pad	1	C35-5	C35-5
26	Pressure Switch	1	U217-1216	U217-1216
27	Locknut 1/2"	1	U36-112ZP	U36-112ZP
28	Connector 1/2"	1	L43-5C	L43-5C

Exploded View
07SJH11C115H



REPAIR PARTS LIST

Key No.	Part Description	No. Used	07SJH11C115H
1	1/2" NPT Pipe Plug	1	*
2	Discharge Tee with Barb	1	U78-961P
3	1" NPT Street Elbow	1	U78-974P
4	Hose Clamp	1	*
5	1" Reinforced Hose, 24-1/2" Long	1	U74-37V
6	Tank Assembly	1	U231-360

* Standard hardware item, purchase locally.

