



AG SERIES PUMPS



Agricultural Sewage Pumps

3 & 5 HP
Single Phase
230 Volt
1750 RPM



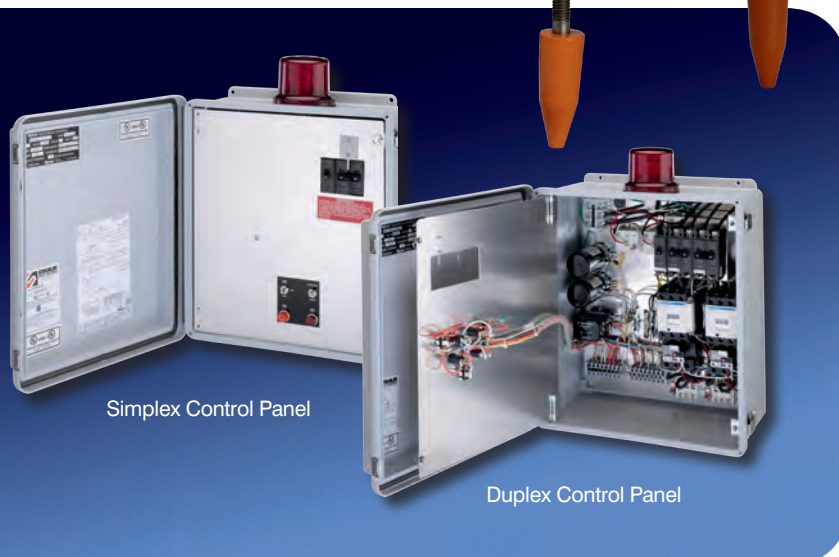
RELAX,
IT'S A BERKELEY

AGRICULTURAL SEWAGE PUMPS

AG3 & AG5 SERIES

BERKELEY AG Series is designed specifically for use in agricultural lagoon and sewage pit applications

AG Series pumps are the right choice to handle stringy trash, fibrous wastes, slurries and other difficult to pump solids without plugging. AG Series pumps have been field proven to provide reliable operation and dependable performance. BERKELEY offers a complete line of wastewater pumps, controls and accessories to meet your needs.



Advantages by design

Non-clog operation

- Passes stringy trash, fibrous waste and other difficult solids without plugging the pump
- Pumping action is by Vortex: solids cannot get caught in volute passage
- 3" solids handling

Strong pumping performance

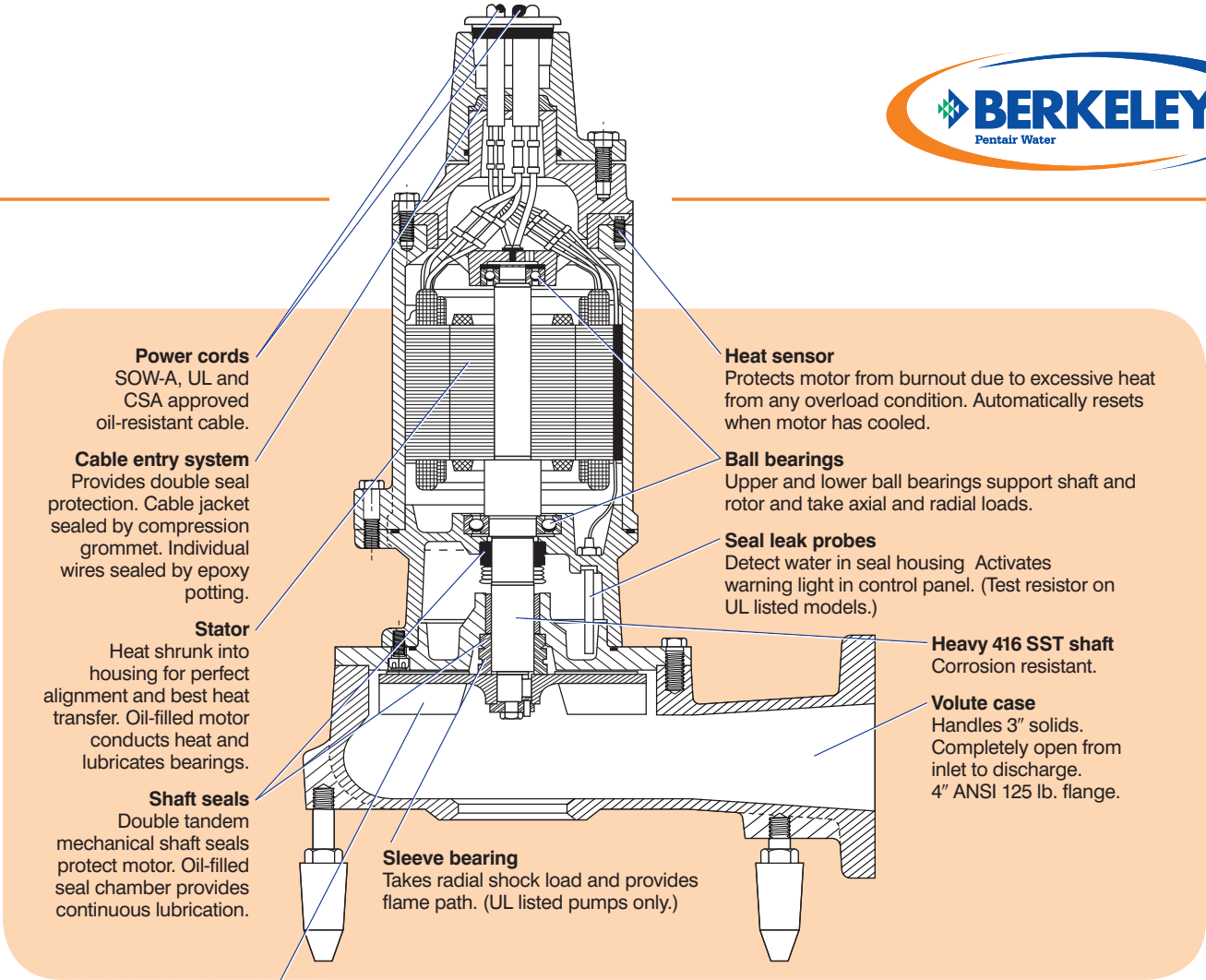
- Heads to 50 feet
- Capacities to 500 gpm

Durable, long-life construction

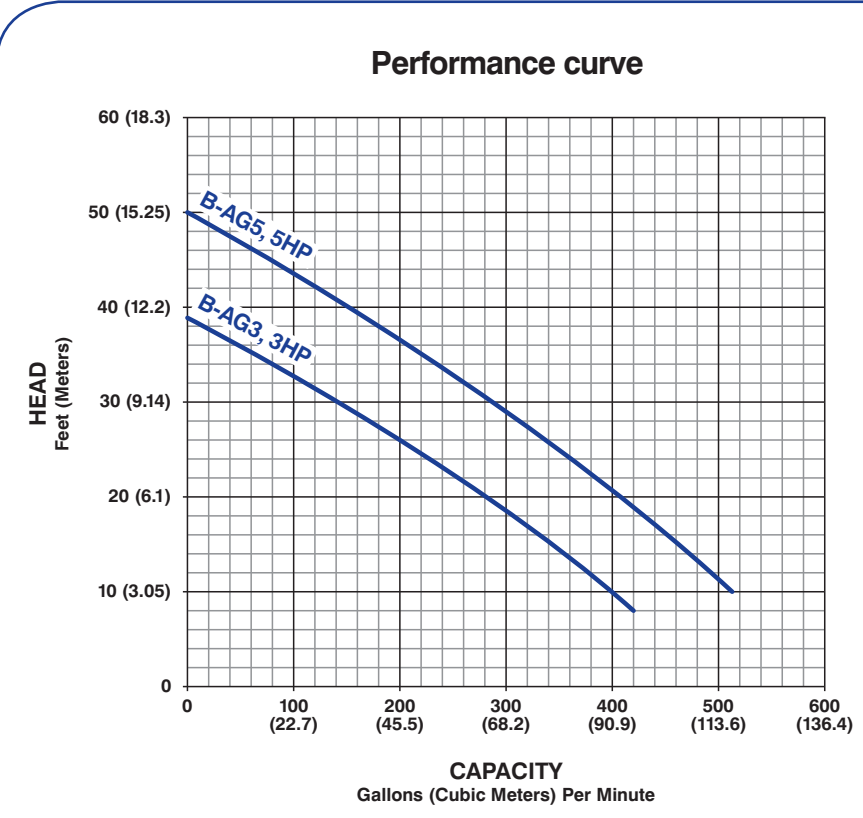
- Tough powder-coated finish on liquid end prevents build-up of salt crystals and solids
- Heavy-duty cast iron construction
 - Heavy-duty motor equipped with thermal overload protection and automatic reset
 - NEMA 4X FRP simplex or duplex pump panels available
 - Double shaft seals and seal leak probe for maximum motor protection

Simple, easy installations

- All pumps equipped with lifting handle and legs



(Illustration purpose only)



AGRICULTURAL SEWAGE PUMPS

Technical and ordering information

Pumps

Model	HP	Volts	Phase	Hz	RPM	Max Amps	Solids Handling	Weight (lbs.)
B-AG3	3	230	1	60	1750	21	3"	200
B-AG5	5	230	1	60	1750	41	3"	210

Controls (required for pump operation)

Model	HP	Volts	Phase	Type	NEMA	Ship Weight (lbs.)
CNC-30-21SW	3	230	1	Simplex	4X	21
CNC-30-21DW	3	230	1	Duplex	4X	35
CNC-50-21SW	5	230	1	Simplex	4X	21
CNC-50-21DW	5	230	1	Duplex	4X	35

Float switches

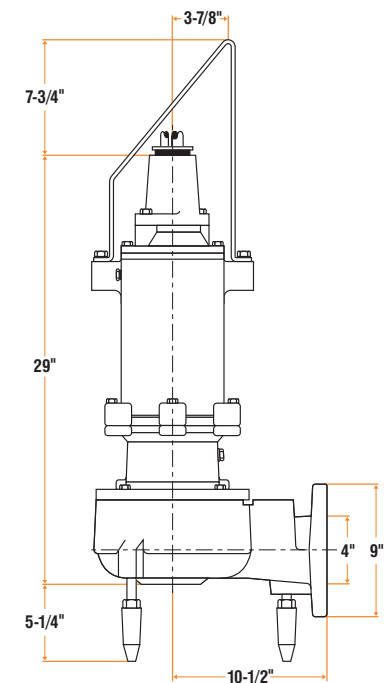
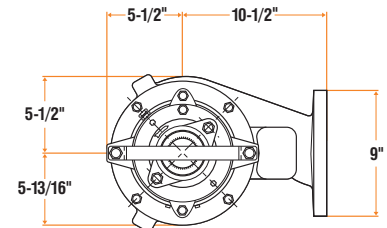
Model	Description	Ship Weight (lbs.)
SM25NO	Mercury switch sealed in polypropylene float ball weight attached to cord 25' of 18/2 SJOW/A cord, rated 125VA@115VAC ball colored green	7

Construction materials

Motor housing, seal housing, cord cap and volute case	Cast iron, class 30 ASTM A48-76
Recessed, impeller	3 & 5 HP – ductile iron, class 65 ASTM A536-80
Power and control cord	25 ft. SOW/SOW-A
Mechanical seals	Double tandem, Type 2100 Lower: Silicon carbide/Silicon carbide Upper: Carbon/Ceramic
Pump, motor shaft	416 SST
Fasteners	300 series SST
Motor	1 phase, 230V, 60hz, 1750 rpm, 3 & 5 HP

- All panels have seal leak indicator light.
- CNC simplex single phase panels include: NEMA 4X FRP enclosure, 17-1/2" x 15-7/8" x 7-11/16" overall dimensions; two drawn down hasps with provision for pad locking; switches and indicator lights mounted on dead front full inner door; 2-pole pump circuit breaker; start relay; start capacitor(s); run capacitor(s); IEC rated magnetic contactor; pump H-O-A switch; alarm test switch; amber pump run light; red seal leak indicator light; heat sensor circuit; 1-pole, ambient compensated, quick trip, overload relay; terminal blocks; ground lug; flashing red alarm light (40 watt) with polycarbonate globe; separate alarm and control fuses.
- CNC duplex single phase panels include: NEMA 4X FRP enclosure, 19-5/8" x 17-1/2" x 10-5/8" overall dimensions; two drawn down hasps with provision for pad locking; switches and indicator lights mounted on dead front full inner door; two 2-pole pump circuit breakers; two sets start relays; two sets start capacitors; two sets run capacitors; two IEC rated magnetic contactors; two pump H-O-A switches; alarm test switch; two amber pump run lights; two red seal leak indicator lights; two heat sensor circuits; two 1-pole, ambient compensated, quick trip, overload relays; terminal blocks; ground lug; flashing red alarm light (40 watt) with polycarbonate globe; separate alarm and control fuses; alternator relay; override relays.
- Simplex control panels require three float controls, duplex require four float controls, must be ordered separately.
- Panels meet UL approval, UL label will be installed.

Dimensions



For more information,
contact BERKELEY
Customer Service at:
Tel: 888.237.5353
Fax: 800.321.8793



RELAX,
IT'S A BERKELEY