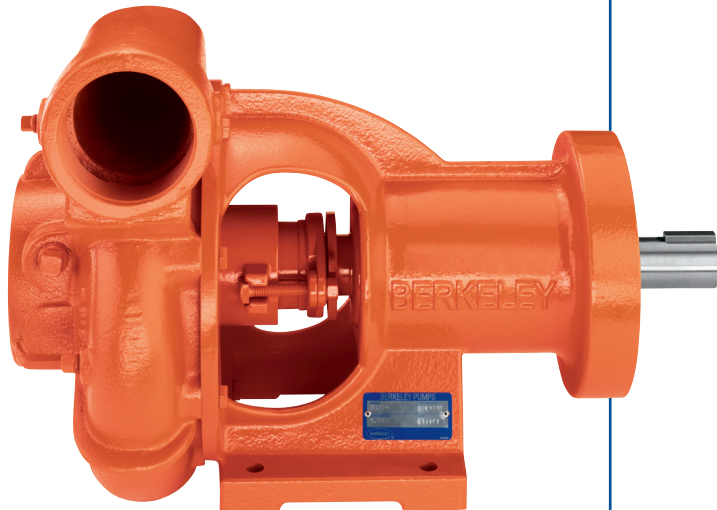




# B3ZRM HEAVY DUTY



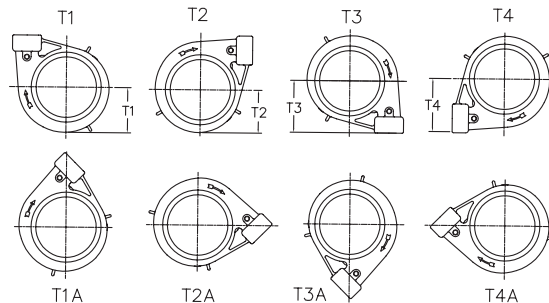
## BERKELEY B3ZRM HEAVY DUTY PUMPS

- Dimensionally interchangeable with the standard design
- Incorporates ten of the industry's best product features
- Provides the best operating and maintenance benefits available

### FEATURES / BENEFITS

- **Heavy-duty Bearing Frame** – Dimensionally interchangeable with the Standard Bearing Frame. Designed to maximize LT bearing life.
- **Sealed Bearings** – No in-field greasing is required. Keeps dirt and debris out of bearing.
- **Improved Bearing Retention Method** – Allows for extended dependability with minimal maintenance.
- **O-Ring Casing Seal (vs. Gasket)** – Better sealing method, more convenient for assembly/disassembly; allows easy rotation.
- **Hefty 1-1/4" Keyed Impeller Shaft** – Delivers excellent reliability and durability under all types of operating conditions. Offers easier removal and reduces shaft kit inventory for repairs.
- **416 S.S. Slip-fit Shaft Sleeve** – Offers safer, faster and easier maintenance. Sleeve installation does not require a torch, heat or cooling time, which can cause sticking or galling of the shaft.

- **Cast Iron Impellers** – Fine grained and precision cast to ASTM A48 Class 30.
- **Casing** – Available in CW and CCW models, with either NPT, Flanged or Victaulic connections. Casing can be rotated every 45 degrees for convenient mounting.



*Note: Options T1A - T4A are rotated 45° from T1 - T4.*

- **Packed Stuffing Box Design** – 2-piece packing glands; large opening is easily accessed on either side for improved serviceability.
- **Improved Bolt Clearance** – More working room for easier installation.



# B3ZRM HEAVY DUTY

## MATERIALS OF CONSTRUCTION

| Part Name       | Material                          | Spec Number       |
|-----------------|-----------------------------------|-------------------|
| Volute Case     | Cast Iron                         | ASTM A48 Class 30 |
| Impeller        | Cast Iron                         | ASTM A48 Class 30 |
| Adaptor Bracket | Cast Iron                         | ASTM A48 Class 30 |
| Shaft Sleeve    | 416 S.S.                          | AISI 416SS        |
| Packing         | Graphite impregnated PTFE packing |                   |

**Pump Size: 3 x 4 x 9 M**

**9" Diameter Impeller**

Nominal RPM: Various  
Based on Fresh Water @ 68 deg. F.  
Maximum Working Pressure: 266 PSI

