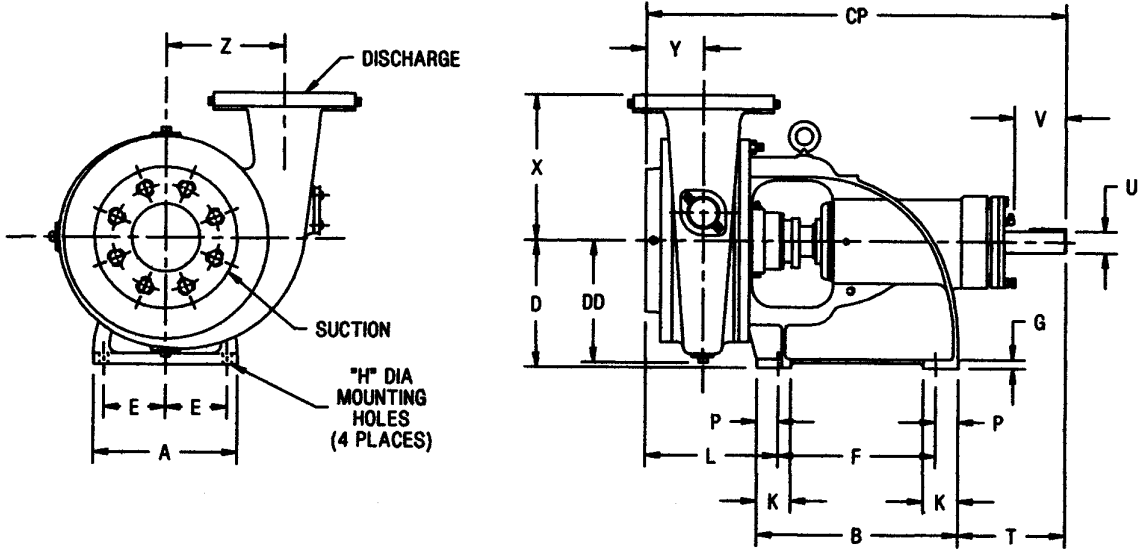


WEINMAN

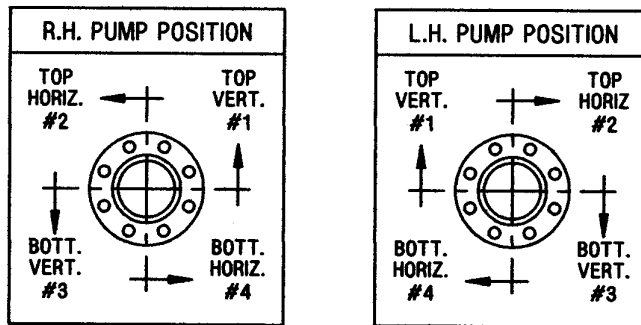
Type "B" Non-Clog Frame Pumps

Section 1420 - B
Page 1
Date 3/1/95

PUMP DISCHARGE POSITION NO.	GPM	TDH	FEET	PUMP NO.
H.P.	RPM	PH	Hz	FOR
VOLTS	MOTOR FRAME NO.			CERT. BY
				DATE



LOCATION OF DISCHARGE FACING SUCTION



NOTE: DISCHARGE CAN BE ROTATED EVERY 45°

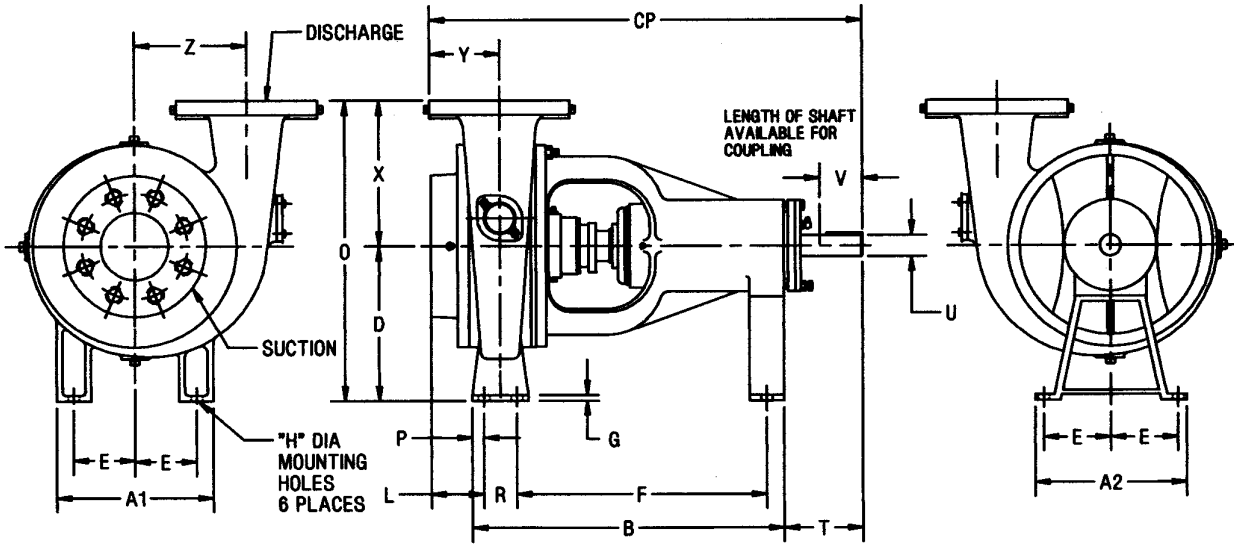
PUMP & FRAME	DISCHARGE	SUCTION	MAX. MP. DIA.	SOLIDS	DIMENSIONS IN INCHES																		
					A	B	CP	D	DD	E	F	G	H	K	L	P	T	U	V	X	Y	Z	KEYWAY
4ULL - B5	4	4	9 1/2	3	8	11 1/2	26 1/8	7	9 5/8	3 3/8	8 1/2	1 1/2	5/8	2 3/8	10 1/4	1 1/2	5 7/8	1 1/4	3 1/4	10	4 5/8	7 7/8	1/4 x 1/8
4UHH - B6	4	4	12	3	10	14	30 3/16	9	11	4 1/4	11	3/4	3/4	2 3/8	10 1/2	1 1/2	7 3/16	1 1/2	3 1/2	12	4 5/8	9	3/8 x 3/16
6UHH - B6	6	6	12	3	10	14	30 3/16	9	11 7/8	4 1/4	11	3/4	3/4	2 3/8	10 1/2	1 1/2	7 3/16	1 1/2	3 1/2	9 1/2	4 5/8	9 1/2	3/8 x 3/16

1. SUCTION AND DISCHARGE FLANGES FIT 125# A.S.A. STANDARD.
2. SHIM PUMP WHEN "DD" EXCEEDS "D".

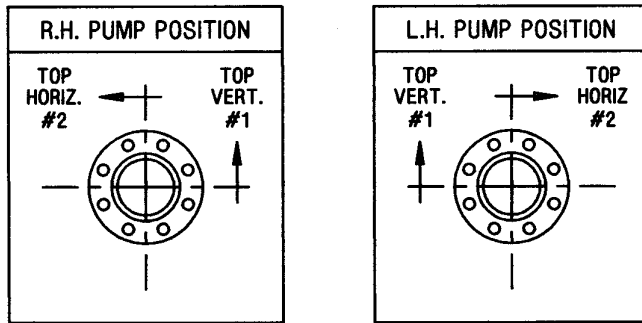
WEINMAN

Type "B" Non-Clog Frame Pumps

PUMP DISCHARGE POSITION NO.	GPM	TDH	FEET	PUMP NO.
H.P.	RPM	PH	Hz	FOR
VOLTS	MOTOR FRAME NO.			CERT. BY
				DATE



LOCATION OF DISCHARGE FACING SUCTION



PUMP & FRAME	DISCHARGE	SUCTION	MAX. IMP. DIA.	SOLIDS	DIMENSIONS IN INCHES																	KEYWAY		
					A1	A2	B	CP	D	E	F	G	H	L	O	P	R	T	U	V	X		Y	Z
6UHH - B8	6	6	15	3	18 1/2	17	30 1/4	39 1/8	15	7 1/2	22 3/4	3/4	7/8	3 3/8	29 1/2	1	5	6 1/2	2 3/8	3 11/16	14 1/2	5 7/8	12 1/4	5/8 x 5/16
8UHH - B8	8	8	15	4	20 1/2	18	32 1/8	39 3/4	19	8	21 7/8	1	7/8	2 5/16	35 1/2	1 1/4	7 1/2	6 5/8	2 3/8	3 11/16	16 1/2	6 1/16	13 1/2	

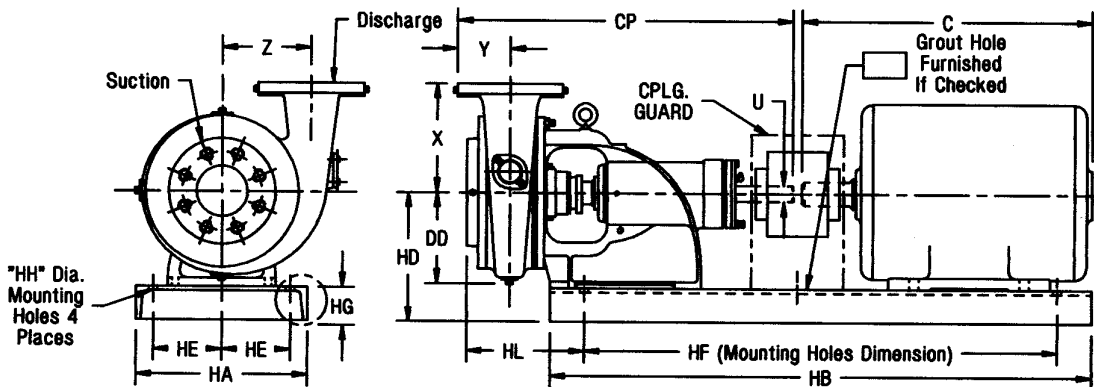
1. SUCTION AND DISCHARGE FLANGES FIT 125# A.S.A. STANDARD.

WEINMAN

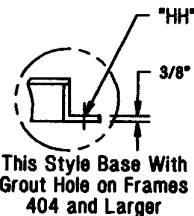
Type "B" Non-Clog Frame Pumps on Steel Bases

Section 1420 - B
Page 3
Date 1/1/95

PUMP DISCHARGE POSITION NO.	GPM	TDH	FEET	PUMP NO.
H.P.	RPM	PH	Hz	FOR
VOLTS	MOTOR FRAME NO.			CERT. BY
				DATE

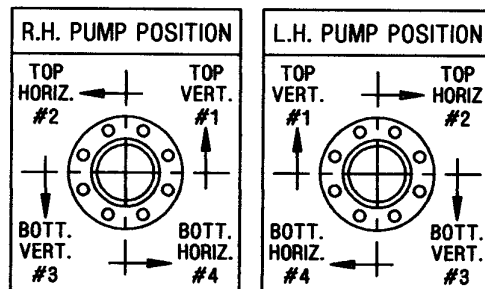


PUMP & FRAME	SOLIDS	MAX. IMP.	DIMENSIONS IN INCHES														
			DISCHARGE 125#				SUCTION 125#				CP	DD	* HL	U	X	Y	Z
			SIZE	DIA. FLG.	BOLTS	B.C.	SIZE	DIA. FLG.	BOLTS	B.C.							
4ULL - B5	3	9 1/2	4	9	8 - 5/8	7 1/2	4	9	8 - 5/8	7 1/2	26 1/8	10 1/2	10	1 1/4	10	4 3/8	7 7/8
4UHH - B6	3	12	4	9	8 - 5/8	7 1/2	4	9	8 - 5/8	7 1/2	30 1/2	11 1/4	10 1/4	1 1/2	12	4 3/8	9
6UHH - B6	3	12	6	11	8 - 3/4	9 1/2	6	11	8 - 3/4	9 1/2	30 1/2	11 1/8	10 1/4	1 1/2	9 1/2	4 3/8	9 1/2



PUMP & FRAME	FRAME	143T	145T	182T	184T	213T	215T	254T	256T	284TS	284T	286TS	286T
		BASE	27501	27502	27502	27503	27503	27503	27504	27505	27504	27505	27505
4ULL - B5	C	13 1/8	13 1/8	14 5/8	15 5/8	17 3/8	19 1/4	22 7/8	24 5/8	24 1/2	25 7/8	26	27 3/4
	HA	12	12	12	12	12	12	15	15	15	15	15	15
	HB	28	32	32	36	36	36	40	43	40	43	43	43
	HD	12	12	12	12	12	12	12 3/8	12 3/8	12 3/8	12 3/8	12 3/8	12 3/8
	HE	4 3/4	4 3/4	4 3/4	4 3/4	4 3/4	4 3/4	6	6	6	6	6	6
	HF	25 1/2	29 1/2	29 1/2	33 1/2	33 1/2	33 1/2	37 1/2	40 1/2	37 1/2	40 1/2	40 1/2	40 1/2
	HG	3	3	3	3	3	3	3 3/8	3 3/8	3 3/8	3 3/8	3 3/8	3 3/8
	HH	3 1/4	3 1/4	3 1/4	3 1/4	3 1/4	3 1/4	3 1/4	3 1/4	3 1/4	3 1/4	3 1/4	3 1/4

LOCATION OF DISCHARGE FACING SUCTION



NOTE: DISCHARGE CAN BE ROTATED EVERY 45° Bottom Horizontal and Vertical Discharge Available Only With Special Fabricated Bases

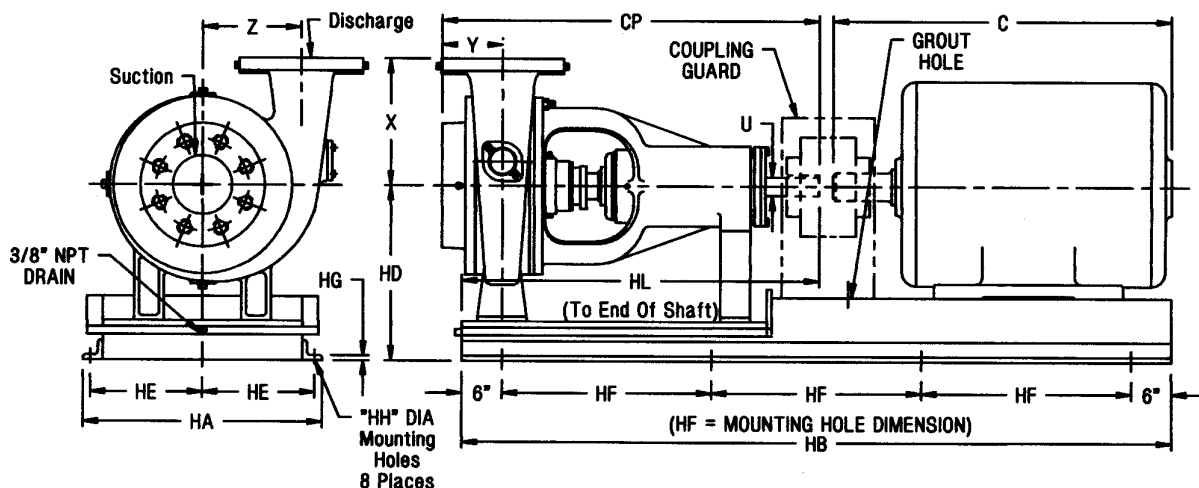
PUMP & FRAME	FRAME	213T	215T	254T	256T	284TS	284T	286TS	286T	324TS	324T	326TS	326T	364TS	364T	365TS	365T	404TS	404T	405TS	405T	
		BASE	27504	27504	27505	27506	27506	27506	27506	27506	27508	27508	27508	27508	27508	27508	27508	27508	27510	27511	27510	27511
4UHH - B6 6UHH - B6	C	17 3/4	19 1/4	22 7/8	24 5/8	24 1/2	25 7/8	26	27 3/8	27 1/4	28 3/4	28 3/4	30 1/4	31	33 1/8	32	34 1/2	34 1/4	37 1/4	36	38 7/8	
	HA	15	15	15	15	15	15	15	15	18	18	18	18	18	18	18	18	25	25	25	25	
	HB	40	40	43	47	47	47	47	47	51	51	51	51	51	51	51	51	50	57	50	57	
	HD	12 3/8	12 3/8	12 3/8	12 3/8	12 3/8	12 3/8	12 3/8	12 3/8	13	13	13	13	13	13	13	13	13	14 1/2	14 1/2	14 1/2	14 1/2
	HE	6	6	6	6	6	6	6	6	7 1/2	7 1/2	7 1/2	7 1/2	7 1/2	7 1/2	7 1/2	7 1/2	7 1/2	11 1/4	11 1/4	11 1/4	11 1/4
	HF	37 1/2	37 1/2	40 1/2	44 1/2	44 1/2	44 1/2	44 1/2	44 1/2	48 1/2	48 1/2	48 1/2	48 1/2	48 1/2	48 1/2	48 1/2	48 1/2	48 1/2	47	54	47	54
	HG	3 3/8	3 3/8	3 3/8	3 3/8	3 3/8	3 3/8	3 3/8	3 3/8	4	4	4	4	4	4	4	4	4	4 1/2	4 1/2	4 1/2	4 1/2
HH	3 1/4	3 1/4	3 1/4	3 1/4	3 1/4	3 1/4	3 1/4	3 1/4	3 1/4	3 1/4	3 1/4	3 1/4	3 1/4	3 1/4	3 1/4	3 1/4	3 1/4	7 7/8	7 7/8	7 7/8	7 7/8	

1. SUCTION AND DISCHARGE FLANGES FIT 125# A.S.A. STANDARD.
* FOR FRAMES 404 AND LARGER ADD 1/4" TO "HL" DIMENSION

WEINMAN

Type "B" Non-Clog Frame Pumps on Steel Bases

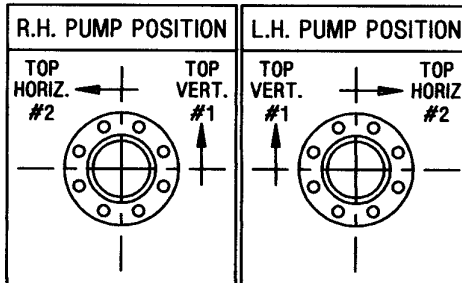
PUMP	GPM	TDH	FEET	PUMP NO.
DISCHARGE POSITION NO.				FOR
H.P.	RPM	PH	Hz	CERT. BY
VOLTS	MOTOR FRAME NO.			DATE



DIMENSIONS IN INCHES																
PUMP & FRAME	SOLIDS	MAX. MP.	DISCHARGE 125#				SUCTION 125#				CP	HL	U	X	Y	Z
			SIZE	DIA. FLG.	BOLTS	B.C.	SIZE	DIA. FLG.	BOLTS	B.C.						
6UHH - B8	3	15	6	11	8 - 3/4	9 1/2	6	11	8 - 3/4	9 1/2	39 1/8	39 5/8	2 3/8	14 1/2	5 7/8	12 1/4
8UHH - B8	4	15	8	13 1/2	8 - 1/4	11 3/4	8	13 1/2	8 - 1/4	11 3/4	39 3/4	39 5/8	2 3/8	16 1/2	6 1/8	13 1/2

PUMP & FRAME	FRAME	6UHH - B8												8UHH - B8																		
		254T	256T	284TS	284T	286TS	286T	324TS	326TS	364TS	365TS	404TS	405TS	444TS	445TS	254T	256T	284TS	284T	286TS	286T	324TS	326TS	364TS	365TS	404TS	405TS	444TS	445TS			
PUMP & FRAME	BASE	41868	41868	41868	41868	41868	41868	41868	41869	41869	41869	41869	41869	41869	41870	41870	41870	41870	41870	41870	41870	41870	41870	41870	41870	41870	41870	41870	41870	41871	41871	
	C	21 3/16	23 9/16	24 9/16	23 3/8	26 1/8	24 1/8	25 1/8	27 3/8	30 3/8	31 1/8	34 9/16	35 1/8	38 7/8	40 7/8	21 3/16	23 9/16	24 9/16	23 3/8	26 1/8	24 1/8	25 1/8	27 3/8	30 3/8	31 1/8	34 9/16	35 1/8	38 7/8	40 7/8	39 5/8	44 9/16	
	HA	32	32	32	32	32	32	32	32	32	32	32	32	32	32	32	32	32	32	32	32	32	32	32	32	32	32	32	32	32	34	34
	HB	72	72	72	72	72	72	72	72	81	81	81	81	81	81	81	81	81	81	81	81	81	81	81	81	81	81	81	81	81	87	87
	HD	21	21	21	21	21	21	21	21	21	21	21	21	21	21	21	21	21	21	21	21	21	21	21	21	21	21	21	21	21	21	21
	HE	14 1/2	14 1/2	14 1/2	14 1/2	14 1/2	14 1/2	14 1/2	14 1/2	14 1/2	14 1/2	14 1/2	14 1/2	14 1/2	14 1/2	14 1/2	14 1/2	14 1/2	14 1/2	14 1/2	14 1/2	14 1/2	14 1/2	14 1/2	14 1/2	14 1/2	14 1/2	14 1/2	14 1/2	15 1/2	15 1/2	
	HF	20	20	20	20	20	20	20	20	23	23	23	23	23	23	23	23	23	23	23	23	23	23	23	23	23	23	23	23	23	25	25
	HG	1 1/2	1 1/2	1 1/2	1 1/2	1 1/2	1 1/2	1 1/2	1 1/2	1 1/2	1 1/2	1 1/2	1 1/2	1 1/2	1 1/2	1 1/2	1 1/2	1 1/2	1 1/2	1 1/2	1 1/2	1 1/2	1 1/2	1 1/2	1 1/2	1 1/2	1 1/2	1 1/2	1 1/2	1 1/2	1 1/2	
HH	7 7/8	7 7/8	7 7/8	7 7/8	7 7/8	7 7/8	7 7/8	7 7/8	7 7/8	7 7/8	7 7/8	7 7/8	7 7/8	7 7/8	7 7/8	7 7/8	7 7/8	7 7/8	7 7/8	7 7/8	7 7/8	7 7/8	7 7/8	7 7/8	7 7/8	7 7/8	7 7/8	7 7/8	7 7/8	7 7/8	7 7/8	

LOCATION OF DISCHARGE FACING SUCTION



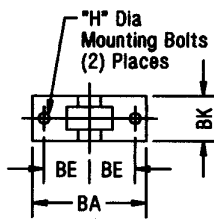
1. SUCTION AND DISCHARGE FLANGES FIT 125# A.S.A. STANDARD.

WEINMAN

Type "VB" Non-Clog Vertical Frame Pump with Motor Stand and Johnson Shafting

Section 1420 - B
Page 5
Date 1/1/95

PUMP	GPM	TDH	FEET	PUMP NO.
DISCHARGE POSITION NO.				FOR
H.P.	RPM	PH	Hz	CERT. BY
VOLTS	MOTOR FRAME NO.			DATE

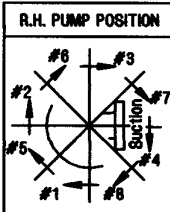
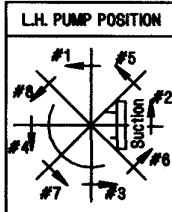


Bearing MNT'G. Dim's (Typical)

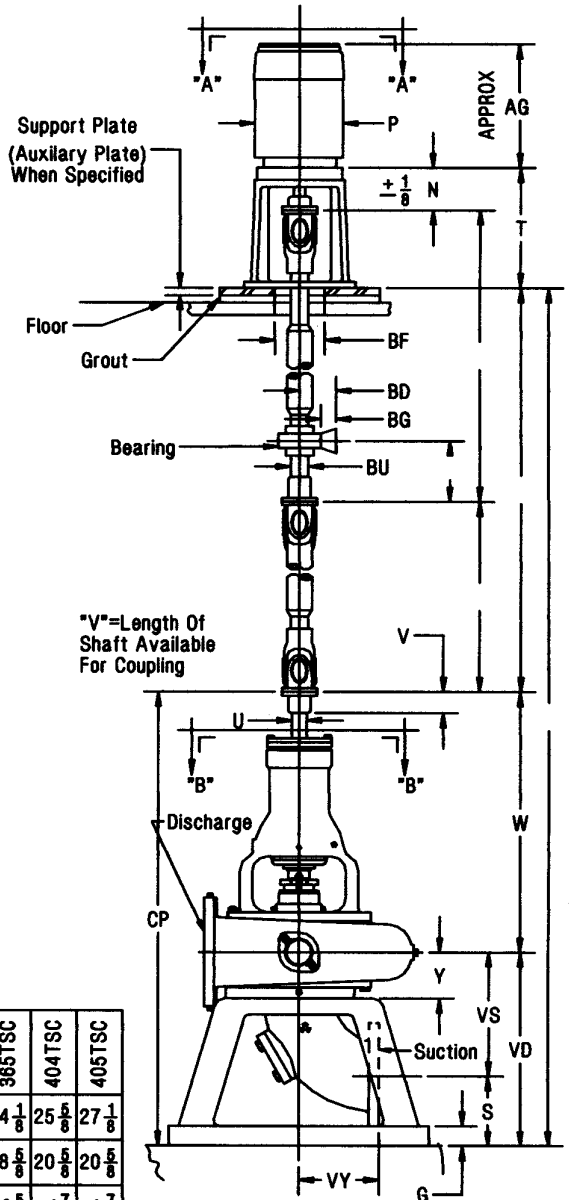
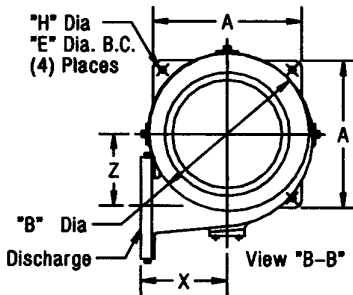
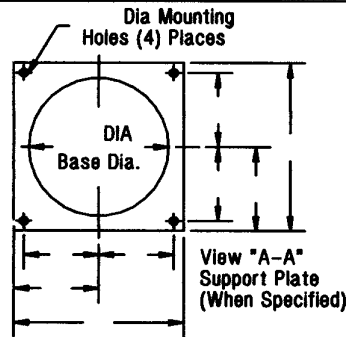
JOHNSON POWER FLEXIBLE SHAFT			
NO:	31 - 37	41	48
BA	6 1/4	6 11/16	7 3/4
BD	1 11/16	1 7/8	2 1/8
BE	2 5/16	2 17/32	3 5/32
BF*	8	8	9
BG	2 1/32	3/4	29/32
BK	1 5/8	1 3/4	2
BU	1 3/16	1 7/16	1 11/16
H	1/2	1/2	1/2

* Min To Clear Spicer Joint

LOCATION OF DISCHARGE AS VIEWED FROM "B - B"



NOTE: DISCHARGE CAN BE ROTATED EVERY 45°



MOTOR	143TC	145TC	182TC	184TC	213TC	215TC	254TC	256TC	284TC	284TSC	286TC	286TSC	324TSC	326TSC	364TSC	365TSC	404TSC	405TSC
AG	11 3/4	11 3/4	11 7/8	12 7/8	13 5/8	15 1/8	17 3/8	19 1/8	19 1/8	19 1/8	20 5/8	20 5/8	21 1/8	22 5/8	23 1/8	24 1/8	25 5/8	27 1/8
P	7 1/2	7 1/2	9 3/8	9 3/8	11	11	13 1/8	13 1/8	14 3/4	14 3/4	14 3/4	14 3/4	16 3/4	16 3/4	18 5/8	18 5/8	20 5/8	20 5/8
N	4	4	3 5/8	3 5/8	3 5/8	3 5/8	4 7/8	4 7/8	4 7/8	3 5/8	4 7/8	3 5/8	3 5/8	3 5/8	3 5/8	3 5/8	4 7/8	4 7/8
T	9 3/4	9 3/4	10 15/16	10 15/16	10 15/16	10 15/16	10 15/16	10 15/16	12 13/16	12 13/16	12 13/16	12 13/16	13 5/8	13 5/8	13 5/8	13 5/8	16 13/16	16 13/16

PUMP & FRAME	Discharge	Suction	Max. Imp.	SOLDS	DIMENSIONS IN INCHES																	
					A	B	CP	E	G	H	S	U	V	VD	VS	VY	W	X	Y	Z	+BF	Keyway
4ULL - B5	4	4	9 1/2	3	15 1/2	18	38 1/8	19 1/2	1 1/2	1 1/2	5 1/2	1 1/4	3 1/2	16 3/8	10 7/8	6 1/2	21 3/4	10	4 3/8	7 7/8	21	1/4 x 1/8
4UHH - B6	4	4	12	3	15 1/2	18	42 1/2	19 1/2	1 1/2	1 1/2	5 1/2	1 1/2	3 1/2	16 5/8	11 1/8	6 1/2	25 7/8	12	4 5/8	9	24	3/8 x 3/16
6UHH - B6	6	6	12	3	19 3/4	24	45 1/2	25 1/2	2	1 1/2	7	1 1/2	3 1/2	19 5/8	12 5/8	8	25 7/8	9 1/2	4 5/8	9 1/2	28	3/8 x 3/16

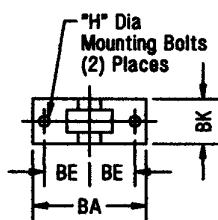
1. SUCTION AND DISCHARGE FLANGES FIT 125# A.S.A. STANDARD.

+ Min. Square to clear pump

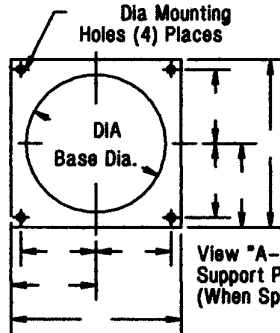
WEINMAN

Type "VB" Non-Clog Vertical Frame Pump with Motor Stand and Johnson Shafting

PUMP DISCHARGE POSITION NO.	GPM	TDH	FEET	PUMP NO.
H.P.	RPM	PH	Hz	FOR
VOLTS	MOTOR FRAME NO.			CERT. BY
				DATE

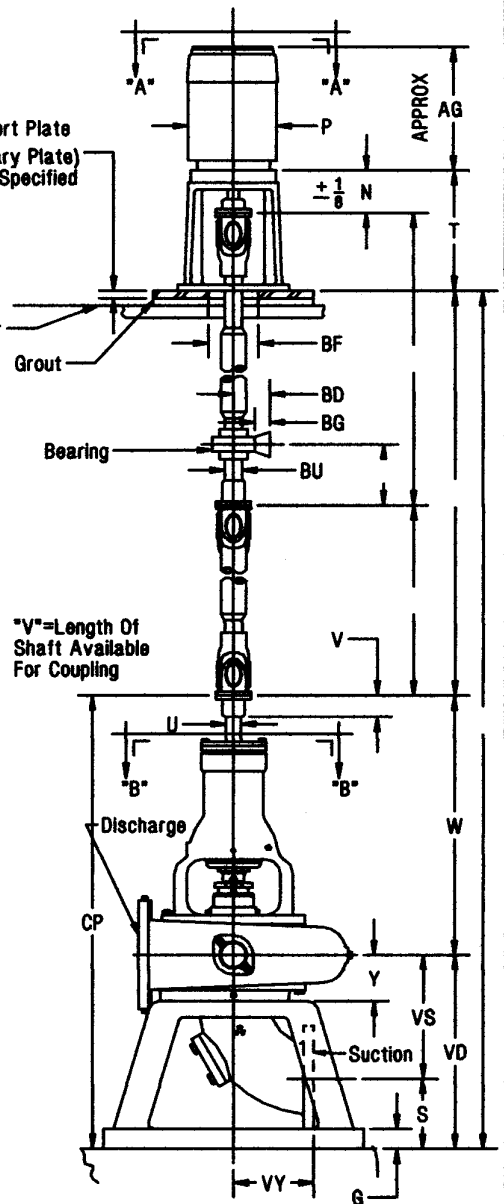
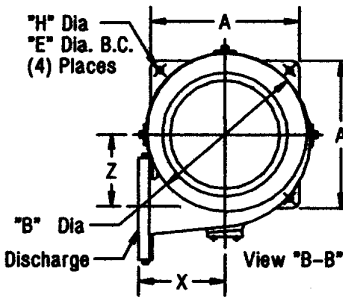


Bearing MNT'G. Dim's (Typical)



Support Plate (Auxiliary Plate) When Specified

View "A-A" Support Plate (When Specified)

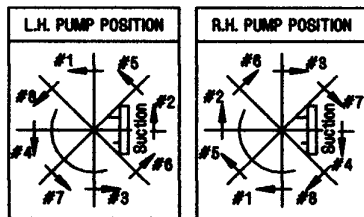


"V" = Length Of Shaft Available For Coupling

JOHNSON POWER FLEXIBLE SHAFT						
NO:	31-37	41	48	55-61	71	81
BA	6 1/4	6 11/16	7 3/4	8 1/4	8 7/8	9 5/8
BD	1 11/16	1 7/8	2 1/8	2 1/4	2 1/2	2 3/4
BE	2 5/16	2 17/32	3 5/32	3 3/16	3 15/32	3 3/4
BF*	8	8	9	10	11	11
BG	21/32	3/4	29/32	1	1	1 1/16
BK	1 5/8	1 3/4	2	2 1/8	2 5/16	2 3/8
BU	1 3/16	1 7/16	1 11/16	1 15/16	2 3/16	2 7/16
H	1/2	1/2	1/2	5/8	5/8	5/8

* Min To Clear Spicer Joint

LOCATION OF DISCHARGE AS VIEWED FROM "B - B"



NOTE: DISCHARGE CAN BE ROTATED EVERY 45°

MOTOR	254TC	256TC	284TC	284TSC	286TC	286TSC	324TSC	326TSC	384TSC	385TSC	404TSC	405TSC	444TSC	445TSC
AG	17 3/8	19 1/8	19 1/8	19 1/8	20 5/8	20 5/8	21 1/8	22 5/8	23 1/8	24 1/8	25 5/8	27 1/8	29 5/8	31 5/8
P	13 1/8	13 1/8	14 3/4	14 3/4	14 3/4	14 3/4	16 3/4	16 3/4	18 5/8	18 5/8	20 5/8	20 5/8	22 1/2	22 1/2
N	5 1/8	5 1/8	5 3/4	4 3/4	5 3/4	4 3/4	5 3/4	5 3/4	5 3/4	5 3/4	5 1/4	5 1/4	5	5
T	11 3/4	11 3/4	12 3/8	11	12 3/8	11	12	12	12	12	12	12	11 3/4	11 3/4

PUMP & FRAME	Discharge	Suction	Max. Imp.	SOLIDS	DIMENSIONS IN INCHES														Keyway			
					A	B	CP	E	G	H	S	U	V	VD	VS	VY	W	X		Y	Z	+BF
6UHH - B8	6	6	15	3	25	30	55 7/8	32	2	7/8	9 1/16	2 3/8	4 1/2	22 7/8	13 13/16	8	33	14 1/2	4 3/8	12 1/4	45	5/8 x 5/16
8UHH - B8	8	8	15	4	25	30	57	32	2	7/8	8 3/16	2 3/8	4 1/2	23 1/4	15 1/16	9	33 3/4	16 1/2	4 5/8	13 1/2	45	5/8 x 5/16

1. SUCTION AND DISCHARGE FLANGES FIT 125# A.S.A. STANDARD.

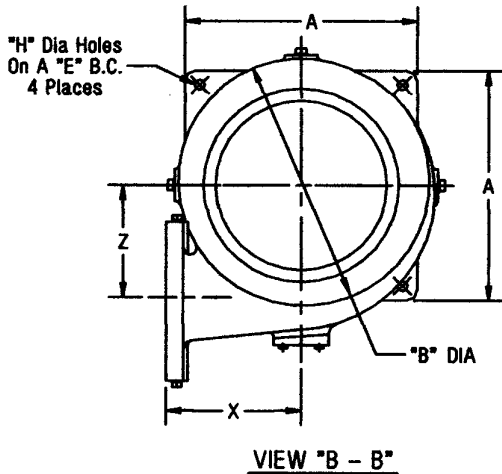
+ Min. Square to clear pump

WEINMAN

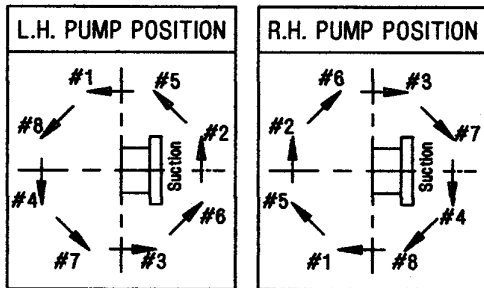
Section 1420 - B
Page 7
Date 1/1/95

Type "VBM" Non-Clog Vertical Frame Pump with Motor

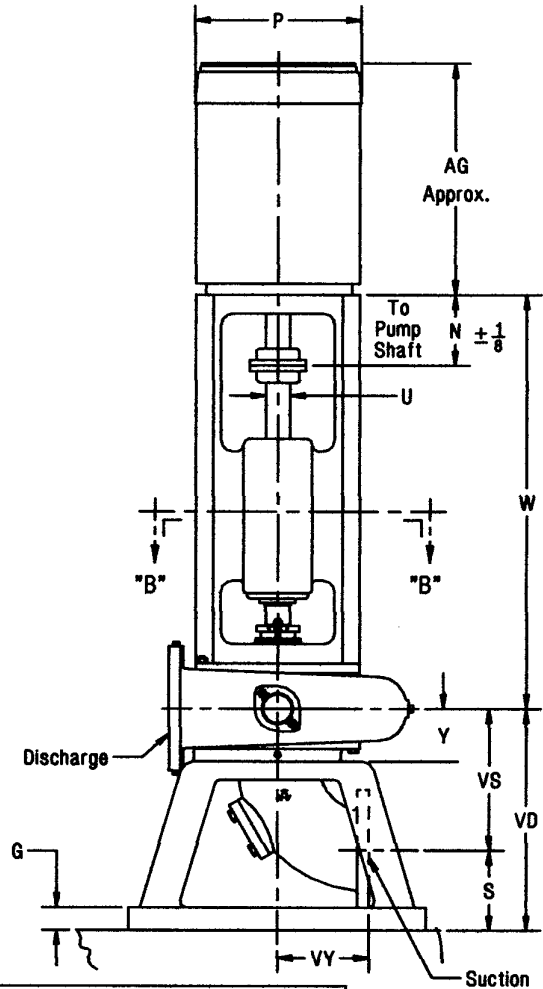
PUMP DISCHARGE POSITION NO.	GPM	TDH	FEET	PUMP NO.
H.P.	RPM	PH	Hz	FOR
VOLTS	MOTOR FRAME NO.			CERT. BY
				DATE



LOCATION OF DISCHARGE AS VIEWED FROM "B - B"



NOTE: DISCHARGE CAN BE ROTATED EVERY 45°



PUMP & FRAME	Discharge	Suction	Max. Imp.	SOLIDS	DIMENSIONS IN INCHES														
					A	B	E	G	H	S	U	VD	VS	VY	W	X	Y	Z	Keyway
4ULL - B5	4	4	9 1/2	3	15 1/2	18	19 1/2	1 1/2	3/4	5 1/2	1 1/4	16 3/8	10 7/8	6 1/2	25 3/8	10	4 3/8	7 7/8	1/4 x 1/8
4UHH - B6	4	4	12	3	15 1/2	18	19 1/2	1 1/2	3/4	5 1/2	1 1/2	16 5/8	11 1/8	6 1/2	29 1/2	12	4 5/8	9	3/8 x 3/16
6UHH - B6	6	6	12	3	19 3/4	24	25 1/2	2	3/4	7	1 1/2	19 5/8	12 5/8	8	29 1/2	9 1/2	4 5/8	9 1/2	3/8 x 3/16

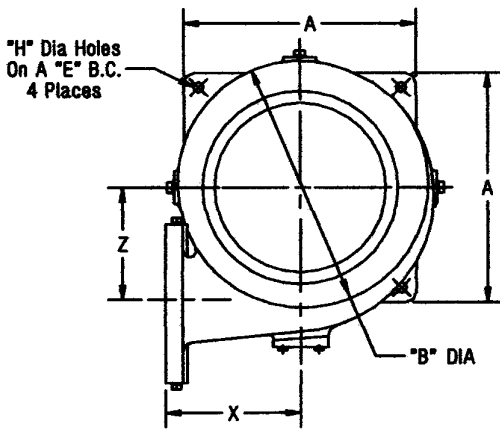
MOTOR	143 TC	145 TC	182 TC	184 TC	213 TC	215 TC	264 TC	266 TC	284 TC	284TSC	286 TC	286TSC	324TSC	326TSC	364TSC	365TSC
AG	11 3/4	11 3/4	11 7/8	12 7/8	13 5/8	15 1/8	17 3/8	19 1/8	19 1/8	19 1/8	20 5/8	20 5/8	21 1/8	22 5/8	23 1/8	24 1/8
P	7 1/2	7 1/2	9 3/8	9 3/8	11	11	13 1/8	13 3/8	14 3/4	14 3/4	14 3/4	14 3/4	16 3/4	16 3/4	18 3/8	18 5/8
N - B5	4 1/8	4 1/8	4 1/8	4 1/8	4 1/8	4 1/8	5 5/8	5 5/8	5 5/8	-	5 5/8	-	-	-	-	-
N - B6	-	-	3 5/8	3 5/8	3 5/8	3 5/8	5 1/8	5 1/8	5 1/8	3 5/8	5 1/8	3 5/8	3 5/8	3 5/8	3 5/8	3 5/8

1. SUCTION AND DISCHARGE FLANGES FIT 125# A.S.A. STANDARD.

WEINMAN

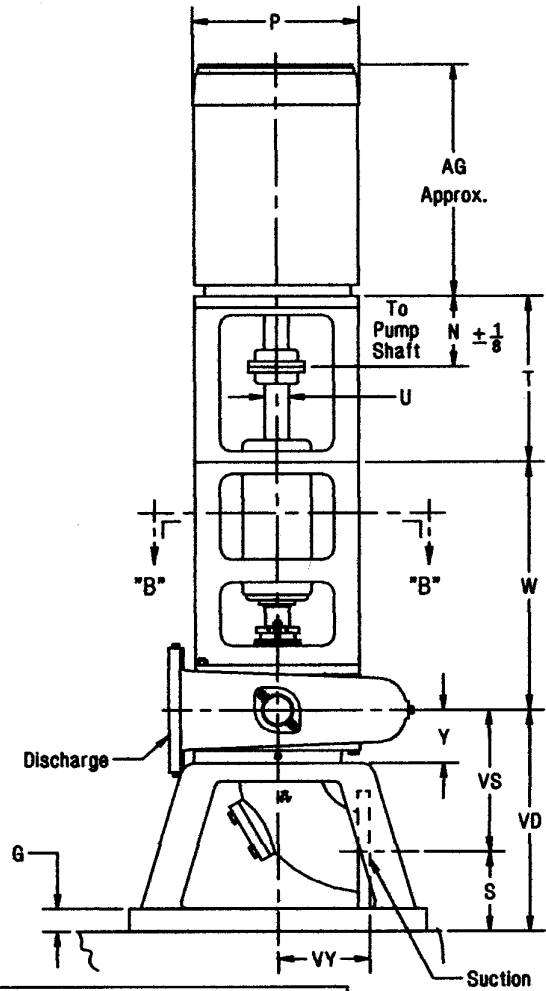
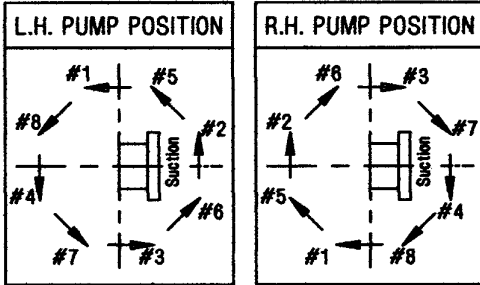
Type "VBM" Non-Clog Vertical Frame Pump with Motor

PUMP	GPM	TDH	FEET	PUMP NO.
DISCHARGE POSITION NO.				FOR
H.P.	RPM	PH	Hz	CERT. BY
VOLTS	MOTOR FRAME NO.			DATE



VIEW "B - B"

LOCATION OF DISCHARGE AS VIEWED FROM "B - B"



PUMP & FRAME	Discharge	Suction	Max. Imp.	SOLIDS	DIMENSIONS IN INCHES														
					A	B	E	G	H	S	U	VD	VS	VY	W	X	Y	Z	Keyway
6UHH - B8	6	6	15	3	25	30	32	2	7/8	9 1/16	2 3/8	22 7/8	13 13/16	8	26 1/4	14 1/2	4 3/8	12 1/4	5/8 x 5/8
8UHH - B8	8	8	15	4	25	30	32	2	7/8	8 5/16	2 3/8	23 1/4	15 1/16	9	27	16 1/2	4 5/8	13 1/2	

MOTOR	254 TC	256 TC	284 TC	284 TSC	286 TC	286 TSC	324 TSC	326 TSC	364 TSC	365 TSC	404 TSC	405 TSC	444 TSC	445 TSC
AG	17 3/8	19 1/8	19 1/8	19 1/8	20 5/8	20 5/8	21 1/8	22 5/8	23 1/8	24 1/8	25 5/8	27 1/8	29 5/8	31 5/8
P	13 1/8	13 1/8	14 3/4	14 3/4	14 3/4	14 3/4	16 3/4	16 3/4	18 5/8	18 5/8	20 5/8	20 5/8	22 1/2	22 1/2
T	11 3/4	11 3/4	12 3/8	11	12 3/8	11	11 1/4	11 1/4	11 1/4	11 1/4	11 1/4	11 1/4	11 3/4	11 3/4
N - 6UHH	4 3/4	4 3/4	5 5/8	4	5 3/8	4	4 1/4	4 1/4	4 1/4	4 1/4	4 1/4	4 1/4	4 3/4	4 3/4
N - 8UHH	5 1/8	5 1/8	5 11/16	4 5/8	5 11/16	4 5/8	4 9/16	4 9/16	4 9/16	4 9/16	4 9/16	4 9/16	5 1/8	5 1/8

1. SUCTION AND DISCHARGE FLANGES FIT 125# A.S.A. STANDARD.

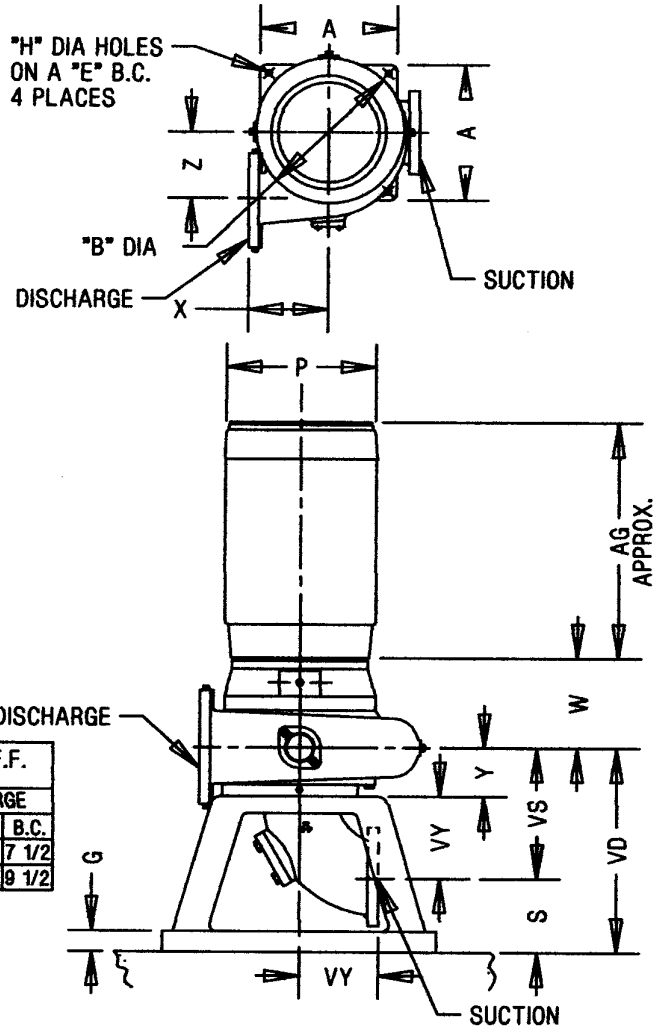
WEINMAN

DRY PIT SOLIDS HANDLING CENTRIFUGAL PUMPS

Section 1420 - B
Page 9
Date 3/1/95

PUMP DISCHARGE POSITION NO.	GPM	TDH	FEET	PUMP NO.
H.P.	RPM	PH	Hz	FOR
VOLTS	MOTOR FRAME NO.			CERT. BY
				DATE

DIMENSIONS OF VERTICAL MOTOR-MOUNT PUMP WITH DOUBLE MECHANICAL SEAL, TYPE JM CLOSE-COUPLED MOTOR, BASE AND SUCTION ELBOW



LOCATION OF DISCHARGE		FLANGE 125# F.F.			
L.H. PUMP POSITION	R.H. PUMP POSITION	SUCTION	DISCHARGE		
SIZE	DIA	NO.	BOLTS	B.C.	
4	9	8	5/8	7 1/2	
6	11	8	3/4	9 1/2	

DISCHARGE CAN BE ROTATED EVERY 45°

PUMP & FRAME	DISCHARGE	SUCTION	MAX. IMP. DIA.	SOLIDS	DIMENSIONS IN INCHES													MOTOR FRAME	
					A	B	E	G	H	S	VD	VS	VY	X	Y	Z	143JM TO 184JM	213JM TO 326JM	
					W	W													
4ULL - VM	4	4	9 1/2	3	15 1/2	18	19 1/2	1 1/2	1 1/2	5 1/2	16 3/8	10 7/8	6 1/2	10	4 3/8	7 7/8	5 1/4	6 1/4	
4UHH - VM	4	4	12	3	15 1/2	18	19 1/2	1 1/2	1 1/2	5 1/2	16 5/8	11 1/8	6 1/2	12*	4 5/8	9		6 1/4	
6UHH - VM	6	6	12	3	19 3/4	24	25 1/2	2	1 1/2	7	18 5/8	12 5/8	6 1/2	8	4 5/8	9 1/2		6 1/4	

FIGURE	7181					7182						
MOTOR FR.	143JM	145JM	182JM	184JM	213JM	215JM	254JM	256JM	284JM	286JM	324JM	326JM
AG	11	11	11	12	13 5/8	15 1/8	17 1/2	19 1/4	19 1/4	20 3/4	21 1/4	22 3/4
P	6 1/2	6 1/2	10 1/2	10 1/2	12 1/2	12 1/2	16	16	16	16	18 7/8	18 7/8

NOTE: DIMENSIONS "AG" & "P" ARE NOMINAL FOR CLOSE COUPLED JM STYLE PUMP MOTORS - DRIP-PROOF/CANOPY
* "X" DIMENSION CHANGES TO 13 1/4" WITH 6 X 4 SUCTION ELBOW

WEINMAN

PUMP	GPM	TDH	FEET	PUMP NO.
DISCHARGE POSITION NO.				FOR
H.P.	RPM	PH	Hz	CERT. BY
VOLTS	MOTOR FRAME NO.			DATE

THIS PAGE LEFT BLANK