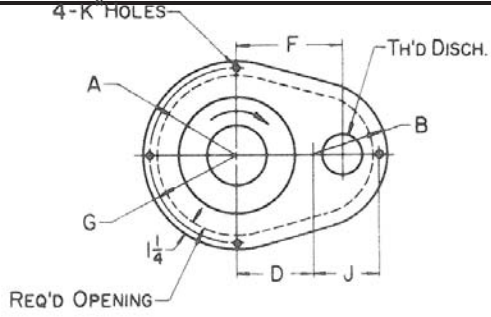


Column Sump Pumps

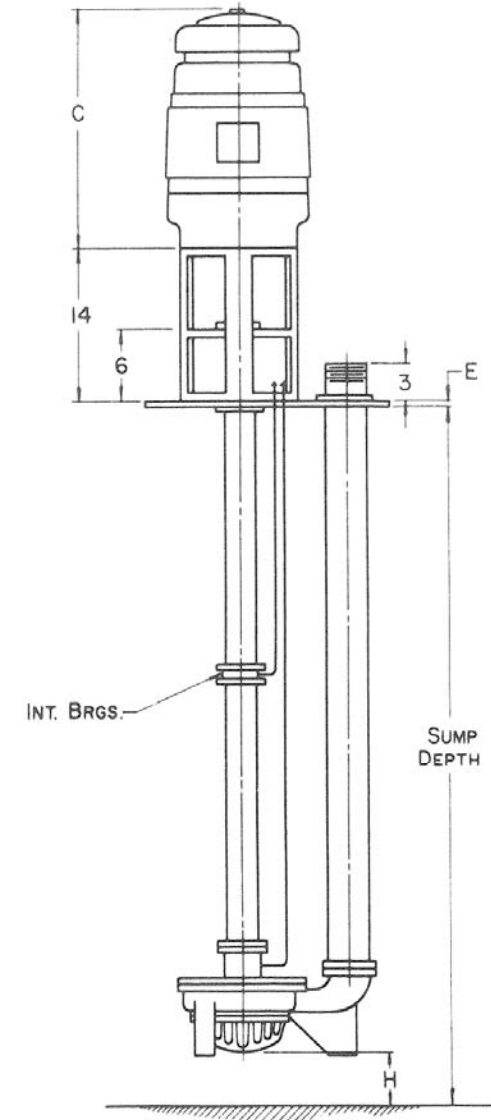
<p>PUMP NO. FOR: CERT. BY: _____ DATE: _____</p>	<p>PUMP: TDH: GPM: SIZE & TYPE:</p>	<p>MOTOR: HP: RPM: PHASE: ENCLOSURE:</p>	<p>VOLTS: HZ: FRAME:</p>
--	---	--	----------------------------------



Pumps												
Size & Type	Cover No.	Shaft Group	Dis.	A	B	D	E	F	G	H	J	K
228MG-VS	B5665	1	1½	8	6¼	6½	5/16	9	7½	4⅛	5¾	7/16
228MG-VS	B5665	1	2	8	6¼	6½	5/16	9	7½	4⅛	5¾	7/16
236MG-VS	B5665	1	1½	8	6¼	6½	5/16	9	7½	4⅛	5¾	7/16
236MG-VS	B5665	1	2	8	6¼	6½	5/16	9	7½	4⅛	5¾	7/16
328MG-VS	B5665	1	3	8	6¼	6½	5/16	9	7½	3½	5¾	7/16
336MG-VS	B5665	1	3	8	6¼	6½	5/16	9	7½	3⅜	5¾	7/16
428MG-VS	B5687	1	4	10¼	7¼	9¾	¾	12	9⅝	2¾	6⅝	5/8
438MG-VS	B5687	2	4	10¼	7¼	9¾	¾	12	9⅝	4¼	6⅝	5/8
635MG-VS	C5813	2	6	11¼	7½	15	¾	15	10⅝	3⅜	6⅞	5/8

Motors				
Single Phase	Three Phase	Motor Frame	C	
			1750	
½	½	56	12	
¾	¾	56	12	
1	1	143T	15	
	1½	145T	15	
1½	2	145T	15	
2	3	182T	18½	
3	5	184T	18½	
5	7½	213T	22	
	10	215T	22	
	15	254T	25	
	20	256T	25	
	25	284T	27	
	30	286T	27	

Standard Sump Depths					
Sump Depth	No. Int. Brgs.		Sump Depth	No. Int. Brgs.	
	Shaft Group 1	Shaft Group 2		Shaft Group 1	Shaft Group 2
2'-6"	0	0	9'-0"	1	1
3'-0"	0	0	10'-0"	2	1
3'-6"	0	0	11'-0"	2	2
4'-0"	0	0	12'-0"	2	2
4'-6"	0	0	13'-0"	2	2
5'-0"	0	0	14'-0"	3	2
5'-6"	1	0	15'-0"	3	3
6'-0"	1	0	16'-0"	3	3
7'-0"	1	1	18'-0"	4	3
8'-0"	1	1	20'-0"	4	3



SECTION 710
PAGE 4
DATE 2/10



A Crane Co. Company

PUMPS & SYSTEMS

USA: (937) 778-8947 • Canada: (905) 457-6223 • International: (937) 615-3598