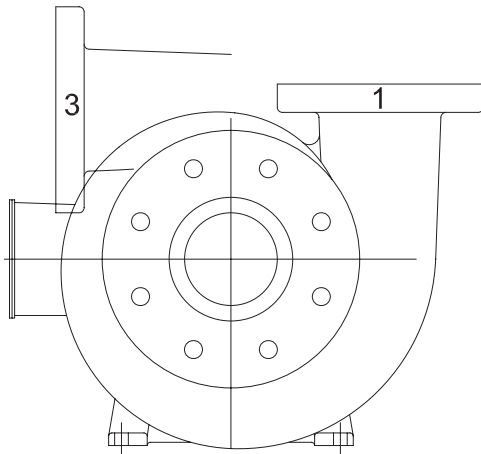


Close Coupled End Suction, Flanged Connection

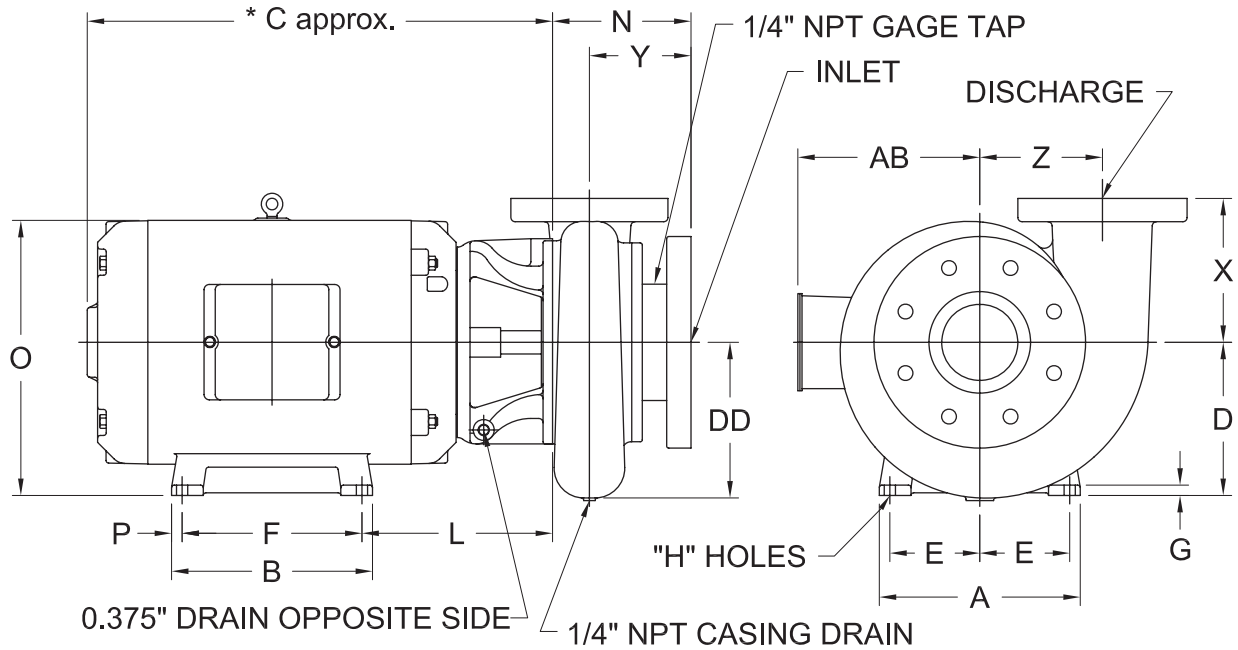
PUMP NO.		PUMP:		FLANGE RATING:		ENCLOSURE:	
FOR:		TDH:				VOLTS:	
CERT. BY:		GPM:		HP:		HZ:	
DATE:		PUMP SIZE:		RPM:		FRAME:	
		MOTOR:		PHASE:			

DISCHARGE POSITIONS



DIMENSIONS FOR 125# AND 300#

PUMP	DISCH. (INCH)	INLET (INCH)	N	X	Y	Z	DD
1G	1	1.25	5.88	5.00	4.25	4.13	5.00
1.5G	1.5	2	5.13	5.25	3.50	4.38	5.63
1.5G1	1.5	2	5.13	5.25	3.50	4.38	5.63
1.5GT	1.5	3	6.88	5.25	5.25	4.38	5.63
1.5K	1.5	2	5.56	6.25	3.75	5.75	7.25
1.5K1	1.5	2	5.56	6.25	3.75	5.75	7.25
1.5KH	1.5	2	5.75	7.50	4.75	6.75	8.00
2G	2	3	5.69	5.50	4.13	4.50	5.81
2K	2	3	5.63	6.75	3.88	6.00	7.50
2.5G	2.5	3	5.69	6.25	4.00	4.50	6.06
2.5K	2.5	3	5.88	7.00	4.00	6.25	7.69
3G	3	4	5.94	6.00	4.63	4.88	6.63
3K	3	4	6.38	7.56	4.50	6.50	8.13
3K1	3	4	6.38	7.56	4.50	6.50	8.13
4G	4	5	6.31	6.75	4.31	5.50	7.38
4G1	4	5	6.31	6.75	4.31	5.50	7.38



CONNECTIONS FOR 125# STANDARD FLANGES (inches)

MOTOR												ODP	TEFC		
FRAME	ADAPTER	A	B	*C	*C	D	E	F	G	H	L	O	O	P	AB
143JP	C5522-A2	7.00	5.00	14.25	15.63	3.50	2.75	4.00	.38	.34	7.94	7.00	7.25	.50	6.25
145JP	C5522-A2	7.00	6.00	15.25	16.63	3.50	2.75	5.00	.38	.34	7.94	7.00	7.25	.50	6.25
182JP	C5522-A2	9.00	5.75	16.00	17.75	4.50	3.75	4.50	.63	.41	8.69	9.00	9.50	.63	8.25
184JP	C5522-A2	9.00	6.75	17.00	18.75	4.50	3.75	5.50	.63	.41	8.69	9.00	9.50	.63	8.25
213TCZ	C5523-A2	10.50	7.00	18.50	20.38	5.25	4.25	5.50	.63	.41	9.56	10.63	11.25	.75	9.25
215TCZ	C5523-A2	10.50	8.50	20.00	21.88	5.25	4.25	7.00	.63	.41	9.56	10.63	11.25	.75	9.25

Models "G, GT, K, KH"

Horizontal Close-Coupled End Suction Pumps
 Pump Motors with Shaft Group 1 Impeller Fit - Metric (mm)

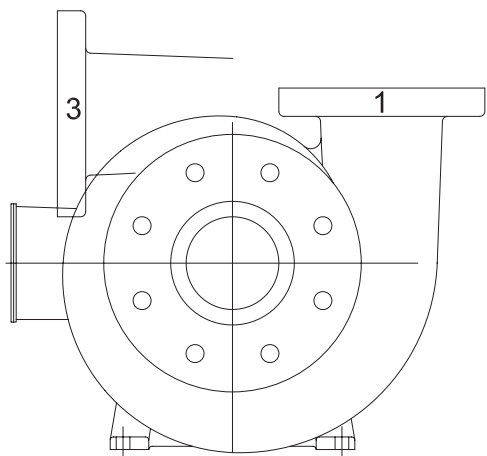


www.cranepumps.com

Close Coupled End Suction, Flanged Connection

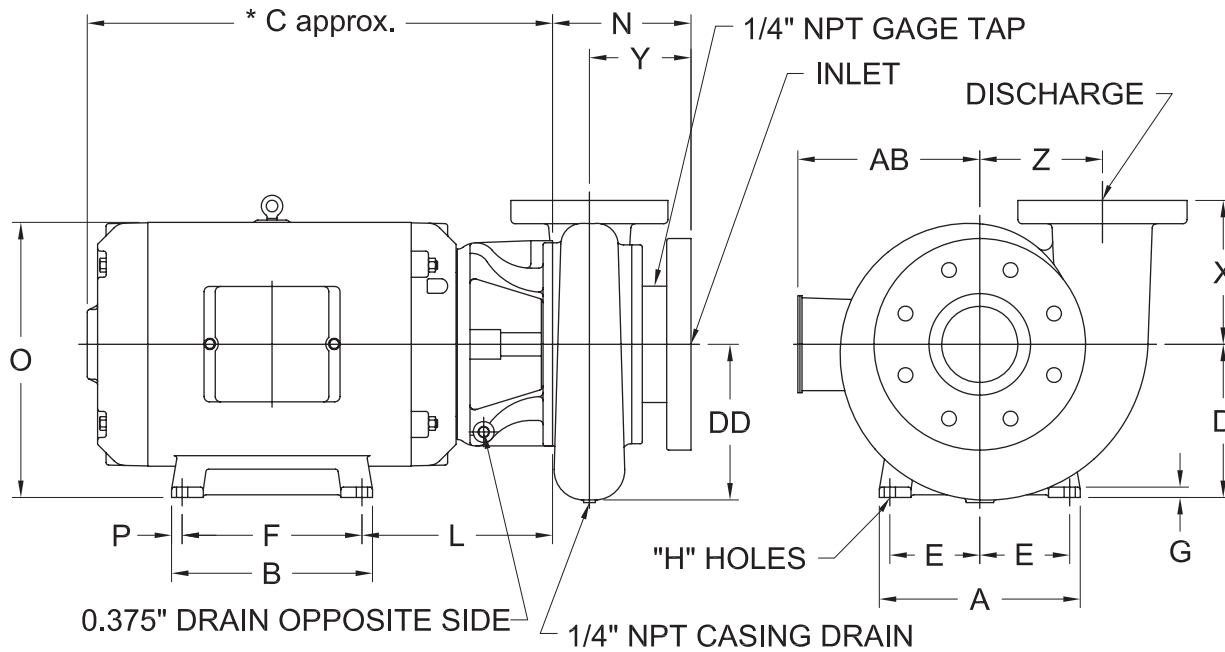
PUMP NO.		PUMP:		FLANGE RATING:		ENCLOSURE:	
FOR:		TDH:		HP:		VOLTS:	
CERT. BY:		GPM:		RPM:		HZ:	
DATE:		PUMP SIZE:		PHASE:		FRAME:	
		MOTOR:					

DISCHARGE POSITIONS



DIMENSIONS FOR 125# AND 300#

PUMP	DISCH. (INCH)	INLET (INCH)	N	X	Y	Z	DD
1G	1	1.25	149	127	108	105	127
1.5G	1.5	2	130	133	89	111	143
1.5G1	1.5	2	130	133	89	111	143
1.5GT	1.5	3	175	133	133	111	143
1.5K	1.5	2	141	159	95	146	184
1.5K1	1.5	2	141	159	95	146	184
1.5KH	1.5	2	146	191	121	171	203
2G	2	3	145	140	105	114	148
2K	2	3	143	171	99	152	191
2.5G	2.5	3	145	159	102	114	154
2.5K	2.5	3	149	178	102	159	195
3G	3	4	151	152	118	124	168
3K	3	4	162	192	114	165	207
3K1	3	4	162	192	114	165	207
4G	4	5	160	171	109	140	187
4G1	4	5	160	171	109	140	187



CONNECTIONS FOR 125# STANDARD FLANGES (inches)

MOTOR												ODP	TEFC		
FRAME	ADAPTER	A	B	* C	* C	D	E	F	G	H	L	O	O	P	AB
143JP	C5522-A2	178	127	362	397	89	70	102	10	9	202	178	184	13	159
145JP	C5522-A2	178	152	387	422	89	70	127	10	9	202	178	184	13	159
182JP	C5522-A2	229	146	406	451	114	95	114	16	10	221	229	241	16	210
184JP	C5522-A2	229	171	432	476	114	95	140	16	10	221	229	241	16	210
213TCZ	C5523-A2	267	178	470	518	133	108	140	16	10	243	270	286	19	235
215TCZ	C5523-A2	267	216	508	556	133	108	178	16	10	243	270	286	19	235

SECTION 310
 PAGE 10
 DATE 2/10



PUMPS & SYSTEMS

A Crane Co. Company

USA: (937) 778-8947 • Canada: (905) 457-6223 • International: (937) 615-3598