



Engineered for life



DC Electronically Commutated Spherical Motor Centrifugal Pumps

Applications

Specifically designed for the following uses:

- Electronics Cooling
- Medical
- Water Circulation
- Chiller Systems
- Liquid Transfer
- General Purpose Pumping

Specifications

Pump:

- Max Capacities: 2.3 GPM
- Max Head: 23'
- Pipe Connections:
1/4" NPT and 3/8" Hose Barb
- Maximum Working Pressure: 21.75 PSI
- Maximum Temperature: 140°F
- Rotation: counter clockwise when viewed from the motor end

Motor:

- Electronically Commutated DC Spherical Motor
- Canned Spherical Motor Type
- 8-12 Volt DC
- Automatic Overload Protection
- Low In-Rush Current

Features

Compact Design:

Unique, low profile space saving design provides easy installation.

Mounting:

Pump is designed to be mounted with discharge horizontally.

Optional Tach:

The tach signal is an open collector type max 20mA, max 24v, 2 pulses per revolution.

Motor Foot:

Intergrated plastic mounting feet available.

Construction:

316SS fitted thermoplastic.

Ceramic Bearing Ball and Carbon Bearing Cap:

High density ceramic bearing ball and graphite impeller bearing cap designed for high efficiency and long life.

Impeller:

Highly efficient and dynamically balanced impeller with carbon bearing for smooth ultra quiet operation.

Casing:

Casing is thermoplastic construction.

Mechanical Seal:

Unique patented design has no mechanical seal which is a potential leak path.

Motor:

Highly efficient and ultra quiet spherical ECM motor design. Pump is designed for continuous operation. All ratings are within working limits of the motor.

Electronics:

Embedded microprocessor control is self regulating and available with variable speed with PWM input.

Noise level:

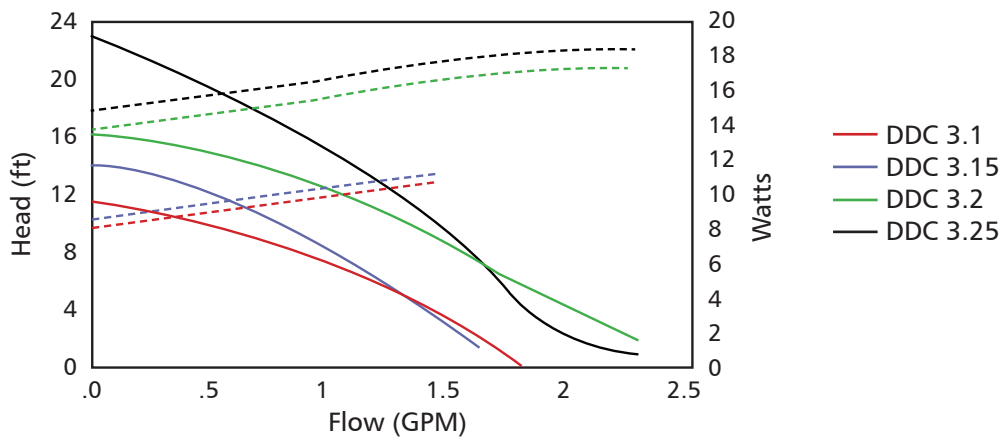
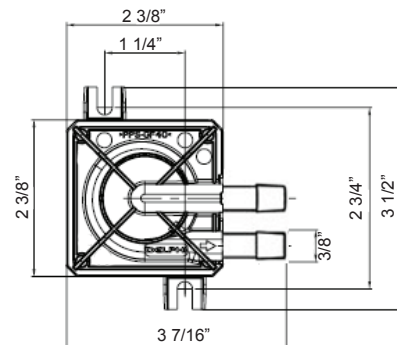
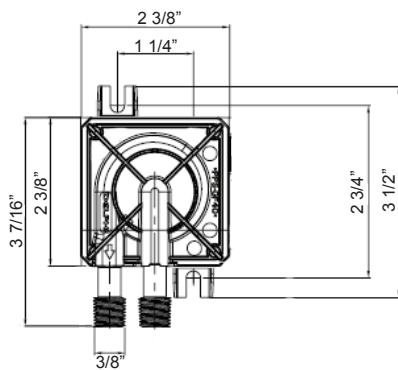
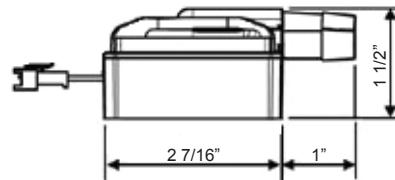
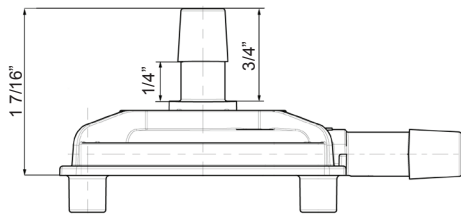
Whisper quiet, less than 40 db.

Weight:

Lightweight construction weighs 7oz.

Materials of Construction (Wetted Parts)

Part	Materials
Pump Housing	Polyphenylene Oxide (PPO)
"O" Ring	EPDM or Viton
Impeller	Polyphenylene Oxide (PPO)
Bearing	Carbon/Allumina Ceramic
All Other Wetted Parts	316 Stainless Steel or Plastic



ITT
3878 S. Willow, Suite 104
Fresno, CA 93725
Tel: (559) 265-4730 (800) 554-6853
Fax: (559) 265-4740 (800) 453-7523
www.lainginc.com



Engineered for life