



Engineered for life



DC Electronically Commutated Spherical Motor Centrifugal Pumps

Applications

Specifically designed for the following uses:

- Electronics Cooling
- Water Circulation
- Chiller Systems
- Liquid Transfer
- General Purpose Pumping

Specifications

Pump:

- Max Capacities: 7.5 GPM
- Max Head: 19'
- Pipe Connections:
 - $\frac{1}{2}$ " x $\frac{1}{2}$ " and $\frac{3}{4}$ " x $\frac{3}{4}$ " Barb Connection
 - $\frac{1}{2}$ " MPT Suction and Discharge
 - $\frac{1}{2}$ " Barb x $\frac{1}{2}$ " MPT
- Maximum Working Pressure: 50 PSI
- Maximum Temperature: 140° F
- Rotation: counter clockwise when viewed from the motor end

Motor:

- Electronically Commutated DC Spherical Motor
- Canned Spherical Motor Type
- 8-24 Volt DC
- Automatic Overload Protection
- Low In-Rush Current

Features

Compact Design:

Close coupled, space saving design provides easy installation.

Mounting:

Pump can be mounted horizontally or vertically with motor end down.

Motor Bracket:

Powder coated steel bracket or integrated thermoplastic bracket on $\frac{3}{4}$ " x $\frac{3}{4}$ " barb only.

Construction:

Available in 316SS fitted thermoplastic.

Ceramic Bearing Ball and Carbon Bearing Cap:

High density ceramic bearing ball and graphite impeller bearing cap designed for high efficiency and long life.

Impeller:

Highly efficient, open or enclosed, and dynamically balanced impeller with carbon bearing for smooth ultra quiet operation.

Casing:

Casing is thermoplastic construction.

Mechanical Seal:

Unique patented design has no mechanical seal which is a potential leak path.

Motor:

Highly efficient and ultra quiet spherical motor design. Pump is designed for continuous operation. All ratings are within working limits of the motor.

Electronics:

Embedded microprocessor control is self regulating and available with variable speed with PWM input or dial control (potentiometer) on the pump.

Noise level:

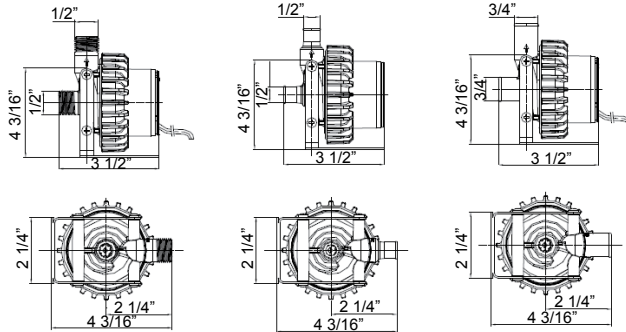
Whisper quiet, less than 40 db.

Weight:

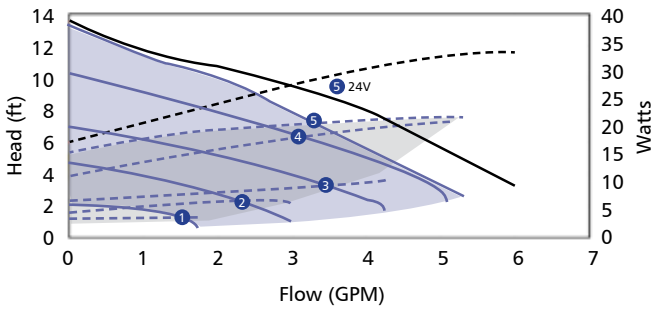
Lightweight construction weighs less than 1lb.

Materials of Construction (Wetted Parts)

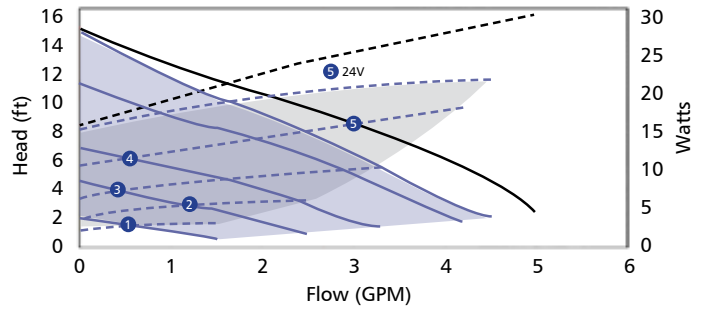
Part	Materials
Pump Housing	Polyphenylene Oxide (PPO)
"O" Ring	EPDM or Viton
Impeller	Polyphenylene Oxide (PPO)
Bearing	Carbon/Allumina Ceramic
All Other Wetted Parts	316 Stainless Steel



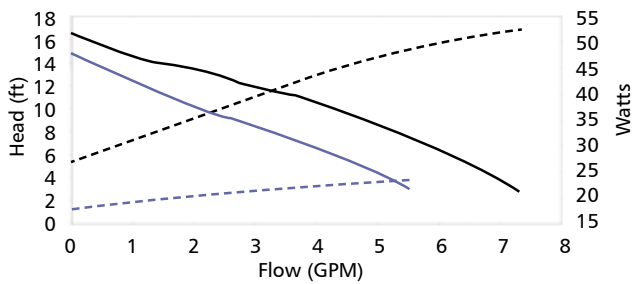
3/4" Barb and 1/2" MPT Connection (Vario)



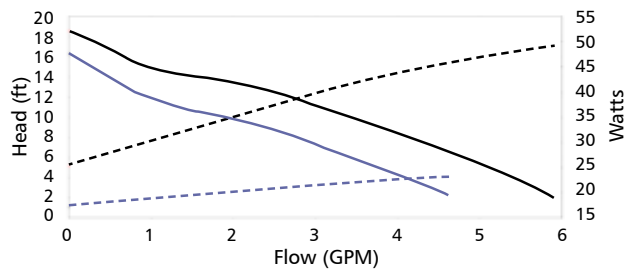
1/2" Barb Connection (Vario)



3/4" Barb and 1/2" MPT Connection (Strong)



1/2" Barb Connection (Strong)



ITT
3878 S. Willow, Suite 104
Fresno, CA 93725
Tel: (559) 265-4730 (800) 554-6853
Fax: (559) 265-4740 (800) 453-7523
www.lainginc.com



Engineered for life