


Wet-Rotor, In-Line, Single Stage Circulator Pumps
Submittal Data

	JOB or CUSTOMER:	
	ENGINEER:	
	CONTRACTOR:	
	SUBMITTED BY:	DATE:
	APPROVED BY:	DATE:
	ORDER NO:	DATE:
	SPECIFICATION REF:	

QUANTITY	TAG NO.	MODEL NO.	GPM	FEET	VOLT	PHASE	COMMENTS

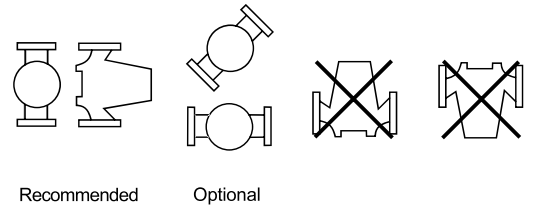
Technical Data

FLOW RANGE: 9 – 78 U.S. GPM
HEAD RANGE: 1 – 46 FT.
MAXIMUM WORKING PRESSURE: 145 PSI
FLANGES: 1 1/4" (UPS32-40, UPS32-80) and 1 1/2" (UPS32-160), 2-Bolt with (2) 1/2" diameter holes
MINIMUM FLUID TEMPERATURE: 14°F (-10°C)
MAXIMUM FLUID TEMPERATURE (Open Systems): 140°F* (60°C)
MAXIMUM FLUID TEMPERATURE (Closed Systems): 230°F (110°C)
AMBIENT AIR TEMPERATURE: 32°F (0°C) to 104°F (40°C)

* **MAXIMUM TEMPERATURE:** 220°F, 104°C **NOTE:** It is recommended to keep the operating temperature as low as possible (i.e., below 140°F, 60°C to avoid precipitation of calcium).

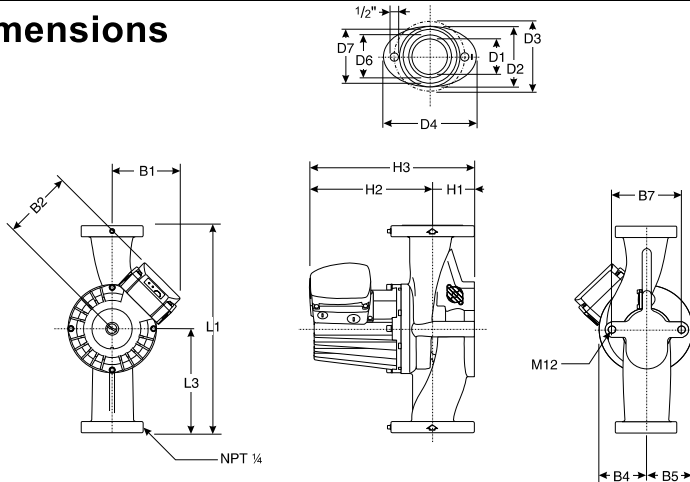


Mounting Positions

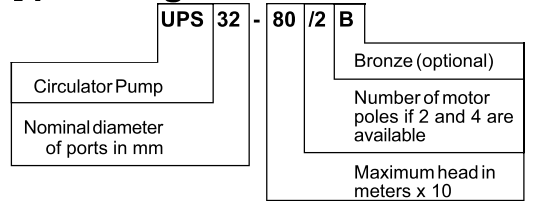


DO NOT Mount Motor Shaft in Vertical Position

Dimensions



Type Designation



Weights

Pump Type	PH	Net Wt. (Lbs.)	Ship. Wt. (Lbs.)	Ship. Vol. (Cu. Ft.)
UPS32-40/4	1 & 3	36	39	1.16
UPS32-80/2	1 & 3	36	39	1.16
UPS32-160/2	1 & 3	38	40.5	1.16

Electrical Data and Dimensions

Pump Type	Nominal HP at Speed 3	PH	Voltage	Suc. Disc. Size	DIMENSIONS IN INCHES															
					L1	L3	B1	B2	B4	B5	B7	H1	H2	H3	D1	D2	D3	D4	D6	D7
UPS32-40/4	1/3 1/3	1 3	115 or 230 208/230, 460*, 575*	1 1/4	11	5 1/2	5 5/16	5 9/16	3	3	3 3/16	2 11/16	9 1/8	11 13/16	1 7/16	2 9/16	3 5/32	4 5/8	1 13/16	2 1/4
UPS32-80/2	1/2 1/2	1 3	115 or 230 208/230, 460*, 575*	1 1/4	11	5 1/2	5 5/16	5 9/16	3	3	3 3/16	2 11/16	9	11 11/16	1 7/16	2 9/16	3 7/16	4 5/8	1 13/16	2 1/4
UPS32-160/2	3/4 3/4	1 3	115 or 230 208/230, 460*, 575*	1 1/2	13 1/2	6 3/4	5 5/16	5 9/16	3	3	3 3/16	2 11/16	9 1/16	11 3/4	1 11/16	2 7/8	3 7/16	5	2 1/16	2 9/16

NOTE: *460/575 volt models are two speed only—speeds 2 & 3.