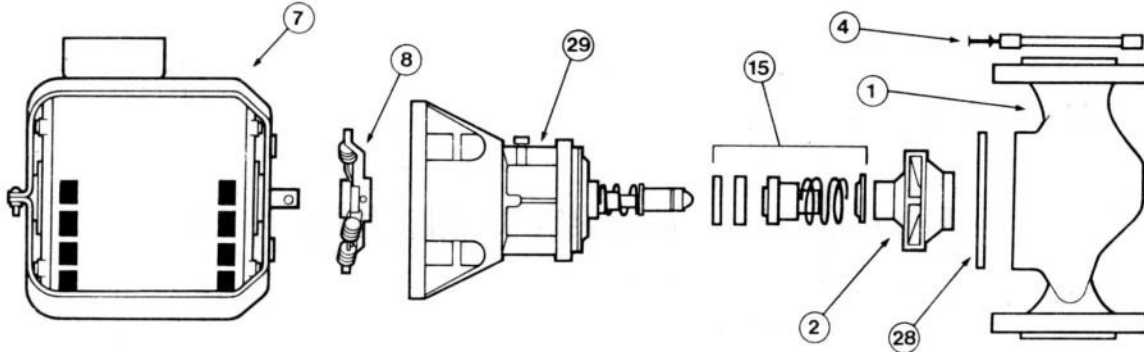


CIRCULATOR PARTS CROSS REFERENCE

MODEL NUMBER	
ITT / B&G 75 TO 150	ARMSTRONG S-25 STD/BF/AB

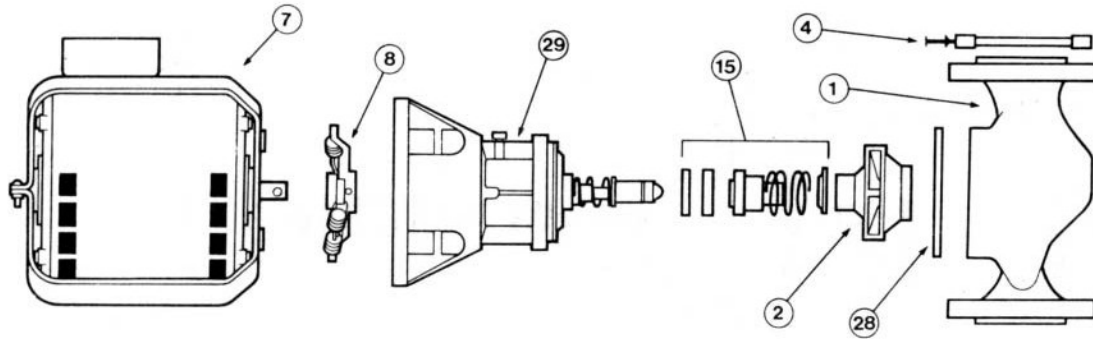


ITEM NO.	PART DESCRIPTION	PART NUMBER	
		B&G	ARMSTRONG
7	1/12 hp Motor	111034	805316-010
29	Universal Seal Bearing Assembly (w/Noryl Impeller)	118844	810119-001
29	Universal Seal Bearing Assembly (w/Noryl Impeller)	189034	810119-001
2	Bronze Impeller	118431	812961-041
2	Steel Impeller	118840	812961-011
2	Noryl Impeller	189132	812961-111
8	Coupler	189110/118705	806026-001
28	Body Gasket	P04080	104442-000
4	Flange Gasket	118368	805176-000*
4	Flange Gasket Kit	ARMSTRONG ONLY	816653-000
15	Seal Kit	118681	816706-021
1	Bronze Body	118413	805482-041
1	Cast Iron Body	118339	805482-011

Note: *Gasket kit contains 2 – 116653-000 Gaskets and 2 – 105176-000 Gaskets.
For Flanges: See Flanges cross reference sheet.

CIRCULATOR PARTS CROSS REFERENCE

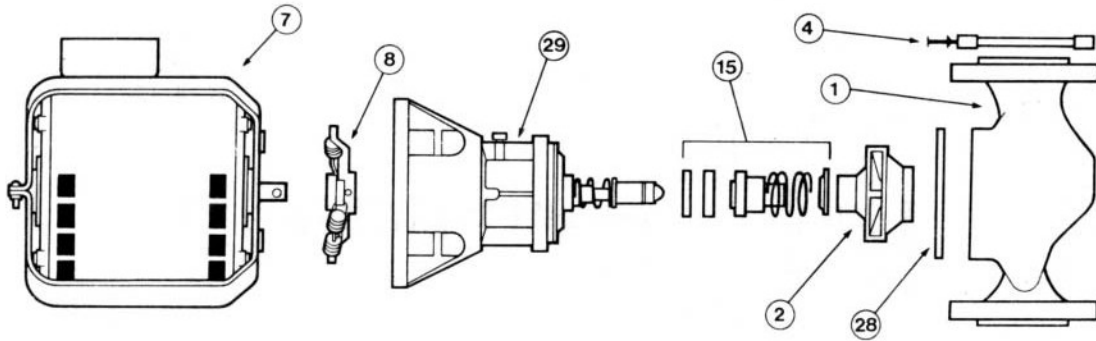
MODEL NUMBER	
ITT / B&G 1 1/2" (Discontinued 12/76)	ARMSTRONG S-34 STD/BF/AB



ITEM NO.	PART DESCRIPTION	PART NUMBER	
		B&G	ARMSTRONG
7	1/6 hp Motor	111036, 111031	817025-001
29	Universal Seal Bearing Assembly (w/Noryl Impeller)	189101	810119-003
29	Universal Seal Bearing Assembly (w/Noryl Impeller)	189103	810119-003
2	Bronze Impeller	N/A	816322-042
2	Steel Impeller	N/A	816322-012
2	Noryl Impeller	118435/118666	806331-111
8	Coupler	118705/189110	806026-001
28	Body Gasket	P04890	106049-000
4	Flange Gasket Prior 1967	118373	804034-000
4	Flange Gasket New	N/A	N/A
15	Seal Kit	118681	816706-021
1	Bronze Body	N/A	816402-041
1	Cast Iron Body	N/A	816402-011

CIRCULATOR PARTS CROSS REFERENCE

MODEL NUMBER	
ITT / B&G 2" (MFTD. PRIOR TO 7/76, DATE CODE GT)	ARMSTRONG S-35 BF/AB

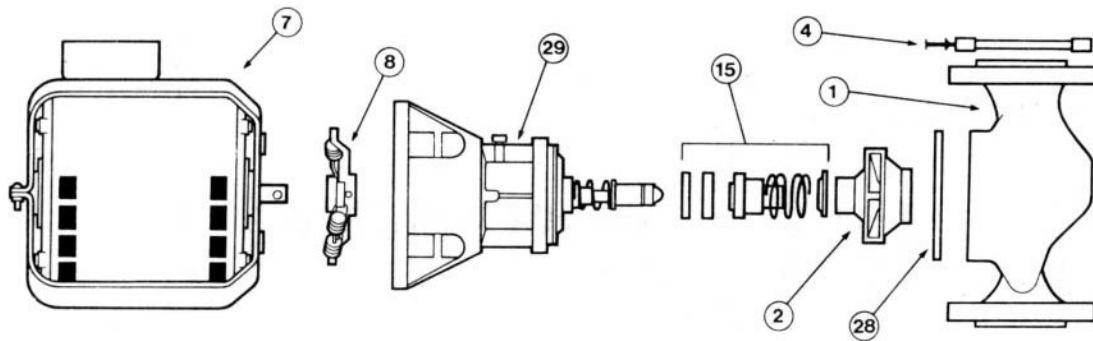


ITEM NO.	PART DESCRIPTION	PART NUMBER	
		B&G	ARMSTRONG
7	1/6 hp Motor	111036, 111031	817025-001
29	Universal Seal Bearing Assembly (w/Noryl Impeller)	189100	810119-003
29	Universal Seal Bearing Assembly (w/Noryl Impeller)	189103	810119-003
2	Bronze Impeller	118436	816556-041
2	Steel Impeller	118668	816556-011
8	Coupler	118705/189110	806026-001
28	Body Gasket	P04890	106049-000
4	Flange Gasket Prior 1967	118065	805209-000
4	Flange Gasket New	N/A	N/A
15	Seal Kit	118681	816706-021
1	Bronze Body	N/A	816327-041
1	Cast Iron Body	N/A	816327-011

For Flanges: See Flanges cross reference sheet.

CIRCULATOR PARTS CROSS REFERENCE

MODEL NUMBER	
ITT / B&G HV (MFTD. PRIOR TO 4/76, DATE CODE DT)	ARMSTRONG H-32 BF/AB

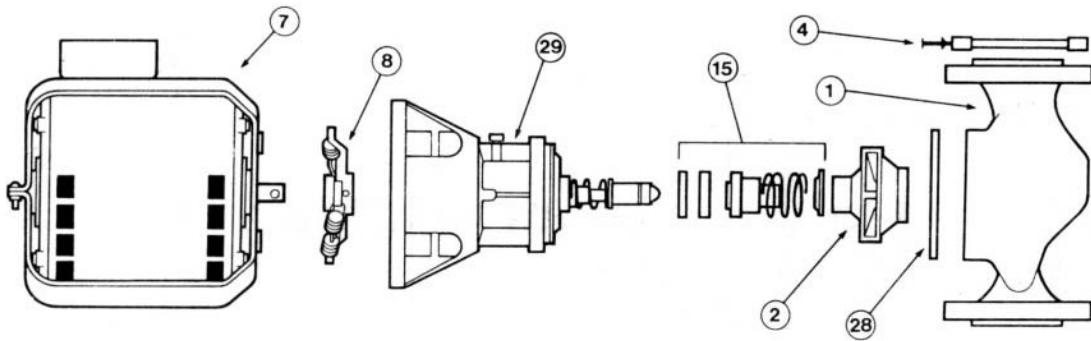


ITEM NO.	PART DESCRIPTION	PART NUMBER	
		B&G	ARMSTRONG
7	1/6 hp Motor	111036, 111031	817025-001
29	Universal Seal Bearing Assembly (w/Noryl Impeller)	189101/189102	810119-003
29	Universal Seal Bearing Assembly (w/Noryl Impeller)	189103	810119-003
2	Bronze Impeller	118436	816322-041
2	Steel Impeller	118668	816322-011
2	Noryl Impeller	N/A	816322-111
8	Coupler	118705/189110	806026-001
28	Body Gasket	P04890	106049-000
4	Flange Gasket Prior 1967	118373	804034-000
4	Flange Gasket New	N/A	N/A
15	Seal Kit	118681	816706-021
1	Bronze Body	118642	816402-041
1	Cast Iron Body	118641	816402-011

For Flanges: See Flanges cross reference sheet.

CIRCULATOR PARTS CROSS REFERENCE

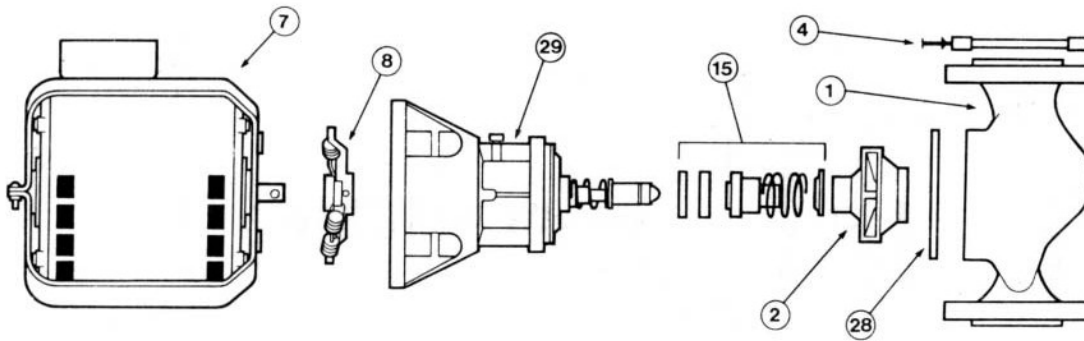
MODEL NUMBER	
ITT / B&G 2" (Mftd. 7/76 or after, Date Code DT)	ARMSTRONG (S-35) FOR B&G PUMPS ONLY



ITEM NO.	PART DESCRIPTION	PART NUMBER	
		B&G	ARMSTRONG
7	1/6 hp Motor	111061	817025-005
29	Seal Bearing Assembly (Std./B.F.)	189120,21,22,29	816023-001
29	Seal Bearing Assembly (A.B.)	189131	816023-001
2	Bronze Impeller	189128	N/A
2	Steel Impeller	P07792	N/A
2	Noryl Impeller	N/A	N/A
8	Coupler	118705/189110	806026-001
28	Body Gasket	P04890	106049-000
4	Flange Gasket	118065	805209-000
4	Flange Gasket New	N/A	N/A
15	Seal Kit	118681	816706-021
1	Bronze Body	189127	N/A
1	Cast Iron Body	189126	N/A

CIRCULATOR PARTS CROSS REFERENCE

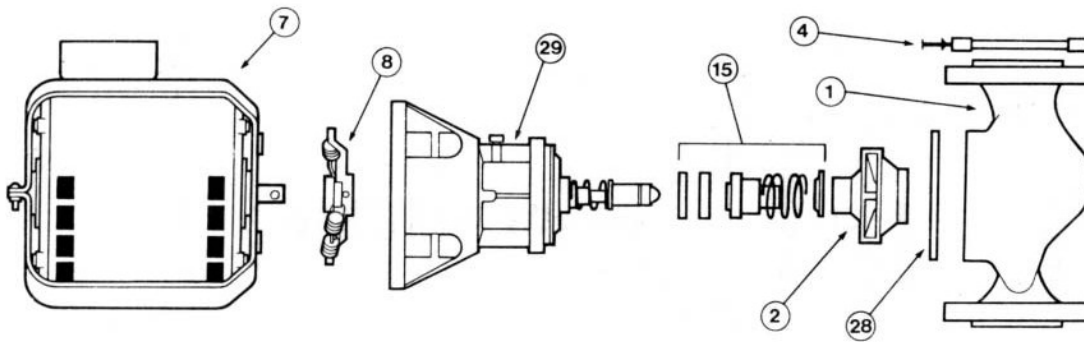
MODEL NUMBER	
ITT / B&G 2 1/2"	ARMSTRONG S-45 BF 2 1/2" FLANGE



ITEM NO.	PART DESCRIPTION	PART NUMBER	
		B&G	ARMSTRONG
7	1/4 hp Motor	111040	817025-007
29	Seal Bearing Assembly (Std./B.F.)	189105	816027-002
29	Seal Bearing Assembly (A.B.)	118447/189106	816027-002
2	Bronze Impeller	118440	816305-058
2	Steel Impeller	118676	816305-028
2	Noryl Impeller	N/A	816305-328
8	Coupler	118723	806168-001
28	Body Gasket	P05800	106050-000
4	Flange Gasket	118129	805201-000
4	Flange Gasket New	N/A	N/A
15	Seal Kit	118681	816706-021
1	Bronze Body	P07610	805484-041
1	Cast Iron Body	118644	805484-011

CIRCULATOR PARTS CROSS REFERENCE

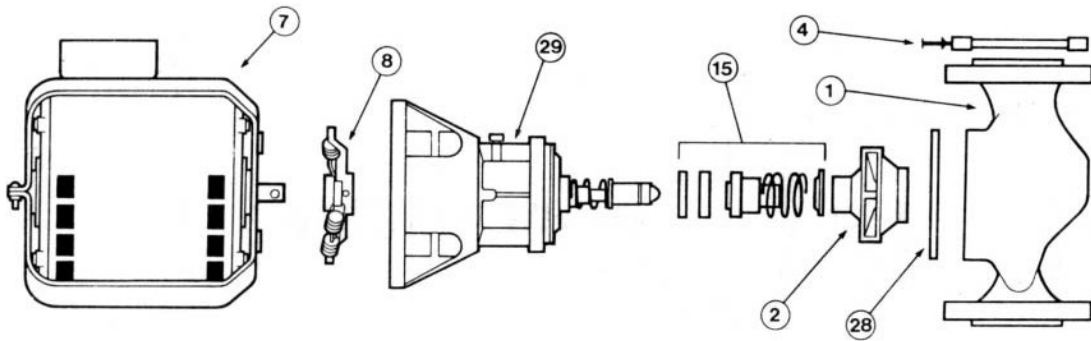
MODEL NUMBER	
ITT / B&G LD3	ARMSTRONG S-45 3" FLANGE



ITEM NO.	PART DESCRIPTION	PART NUMBER	
		B&G	ARMSTRONG
7	1/4 hp Motor	111040	817025-007
29	Seal Bearing Assembly (Std./B.F.)	189105	816027-002
29	Seal Bearing Assembly (A.B.)	118447/189106	816027-002
2	Bronze Impeller	118440	816305-058
2	Steel Impeller	118676	816305-028
2	Noryl Impeller	N/A	816305-328
8	Coupler	118723	806168-001
28	Body Gasket	P05800	106050-000
4	Flange Gasket	118129	805201-000
4	Flange Gasket New	N/A	N/A
15	Seal Kit	118681	816706-021
1	Bronze Body	P07610	805484-041
1	Cast Iron Body	118644	805484-011

CIRCULATOR PARTS CROSS REFERENCE

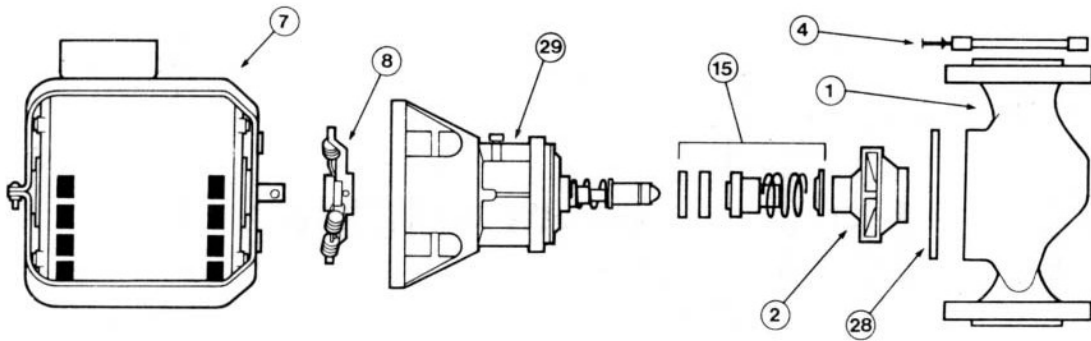
MODEL NUMBER	
ITT / B&G HD3	ARMSTRONG S-46



ITEM NO.	PART DESCRIPTION	PART NUMBER	
		B&G	ARMSTRONG
7	1/3 hp Motor	111042	817025-013
29	Seal Bearing Assembly (Std./B.F.)	189105	816027-002
29	Seal Bearing Assembly (A.B.)	118447/189106	816027-002
2	Bronze Impeller	118439	816305-055
2	Steel Impeller	118675	816305-025
2	Noryl Impeller	N/A	816305-328
8	Coupler	118723	806168-001
28	Body Gasket	P05800	106050-000
4	Flange Gasket	118129	805201-000
4	Flange Gasket New	N/A	N/A
15	Seal Kit	118681	816706-021
1	Bronze Body	P07610	805484-041
1	Cast Iron Body	118644	805484-011

CIRCULATOR PARTS CROSS REFERENCE

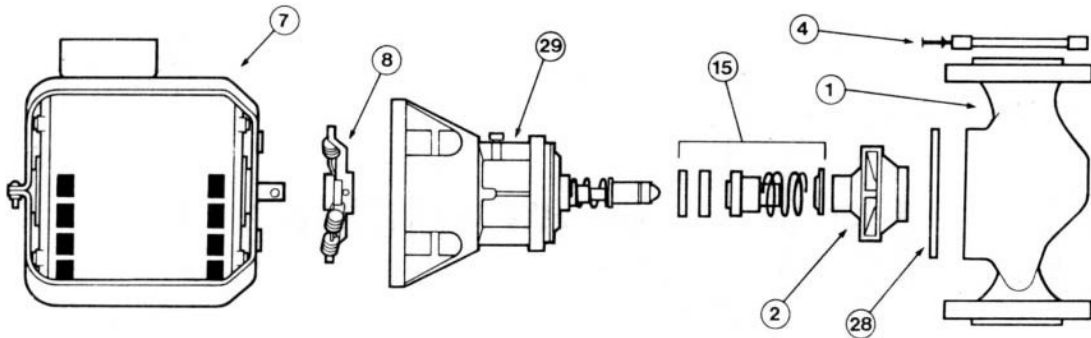
MODEL NUMBER	
ITT / B&G 1 PR	ARMSTRONG H-41 BF & AB



ITEM NO.	PART DESCRIPTION	PART NUMBER	
		B&G	ARMSTRONG
7	1/6 hp Motor	111036/111031	817025-001
29	Seal Bearing Assembly (Std./B.F.)	189105	816027-002
29	Seal Bearing Assembly (A.B.)	118447/189106	816027-002
2	Bronze Impeller	118612	816301-055
2	Steel Impeller	118830	816301-025
2	Noryl Impeller	N/A	816301-325
8	Coupler	118705/189110	806026-001
28	Body Gasket	P05800	106050-000
4	Flange Gasket	118368	805176-000
4	Flange Gasket New	N/A	N/A
15	Seal Kit	118681	816706-021
1	Bronze Body	P07570	811240-041
1	Cast Iron Body	118637	811240-011

CIRCULATOR PARTS CROSS REFERENCE

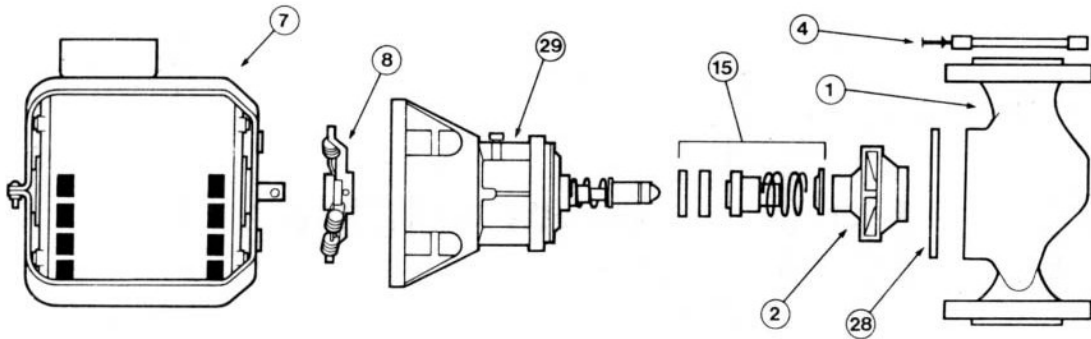
MODEL NUMBER	
ITT / B&G PD-35	ARMSTRONG S-55 (STANDARD CONSTRUCTION IS BRONZE FITTED)



ITEM NO.	PART DESCRIPTION	PART NUMBER	
		B&G	ARMSTRONG
7	1/2 hp Motor 1PH/60/115/230	111044	811757-001
7	1/2 hp Motor 3PH/60/208/230/460	111046	811757-020
29	Seal Bearing Assembly (Std./B.F.)	186863	816032-000
29	Seal Bearing Assembly (A.B.)	186864	816032-000
2	Bronze Impeller	118627	816304-051
2	Steel Impeller	118630	816304-021
2	Noryl Impeller	N/A	816304-321
8	Coupler 1/2" X 5/8"	118709	806137-000
8	Coupler 1/2" X 3/4"	118708	806140-000
28	Body Gasket	P57410	106158-000
4	Flange Gasket	118129	805201-000
15	Seal Kit	118681	816706-021
1	Bronze Body	P09290	804133-041
1	Cast Iron Body	118449	804133-011

CIRCULATOR PARTS CROSS REFERENCE

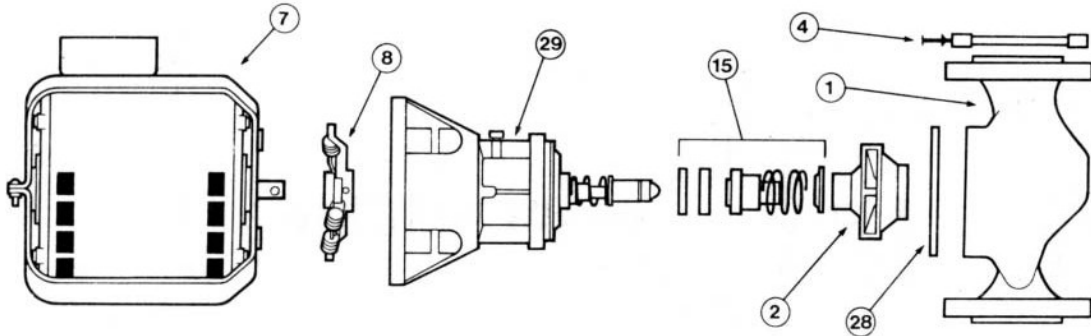
MODEL NUMBER	
ITT / B&G PD-37	ARMSTRONG S-57 (STANDARD CONSTRUCTION IS BRONZE FITTED)



ITEM NO.	PART DESCRIPTION	PART NUMBER	
		B&G	ARMSTRONG
7	3/4 hp Motor 1PH/60/115/230	111047	811757-002
7	3/4 hp Motor 3PH/60/208/230/460	111049	811757-024
29	Seal Bearing Assembly (Std./B.F.)	186863	816032-000
29	Seal Bearing Assembly (A.B.)	186864	816032-000
2	Bronze Impeller	118626	816304-047
2	Steel Impeller	118629	816304-027
2	Noryl Impeller	N/A	816304-317
8	Coupler 1/2" X 5/8"	118709	806137-000
8	Coupler 1/2" X 3/4"	118708	806140-000
28	Body Gasket	P57410	106158-000
4	Flange Gasket	118129	805201-000
15	Seal Kit	118681	816706-021
1	Bronze Body	P09290	804133-041
1	Cast Iron Body	118449	804133-011

CIRCULATOR PARTS CROSS REFERENCE

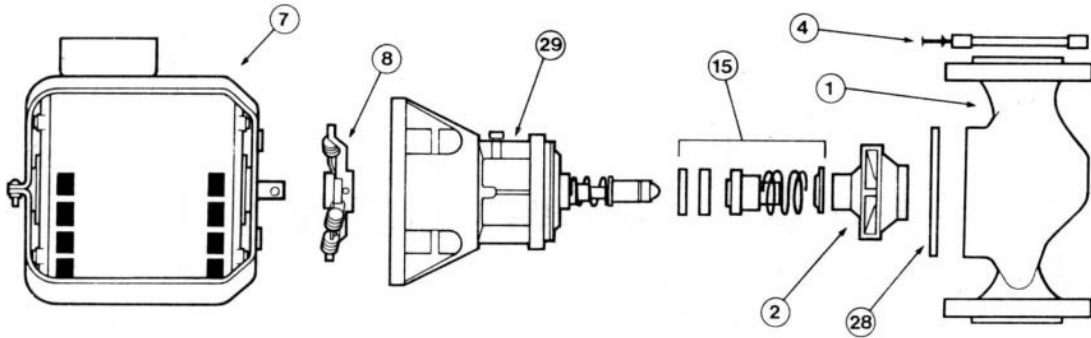
MODEL NUMBER	
ITT / B&G 60-1 (OLD), 60-11 (NEW)	ARMSTRONG H-51 (STANDARD CONSTRUCTION IS BRONZE FITTED)



ITEM NO.	PART DESCRIPTION	PART NUMBER	
		B&G	ARMSTRONG
7	1/4 hp Motor 1PH/60/115/230	111040	816141-001
29	Seal Bearing Assembly (Std./B.F.)	186863	816032-000
29	Seal Bearing Assembly (A.B.)	186864	816032-000
2	Bronze Impeller	186359/186360	816302-049
2	Steel Impeller	186441	816302-019
2	Noryl Impeller	N/A	816302-319
8	Coupler	118473	807436-000
28	Body Gasket	P57410	106158-000
4	Flange Gasket	118368	805176-000
15	Seal Kit	118681	816706-021
1	Bronze Body	186385	816337-041
1	Cast Iron Body	186384	816337-011

CIRCULATOR PARTS CROSS REFERENCE

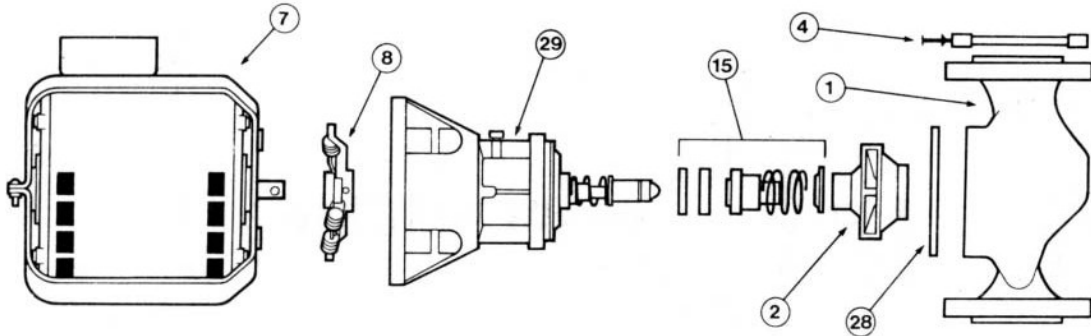
MODEL NUMBER	
ITT / B&G 60-2 (OLD)	ARMSTRONG H-52 BF Single Phase (STANDARD CONSTRUCTION IS BRONZE FITTED)



ITEM NO.	PART DESCRIPTION	PART NUMBER	
		B&G	ARMSTRONG
7	1/3 hp Motor 1PH/60/115/230	169038	816141-002
29	Seal Bearing Assembly (Std./B.F.)	186863	816032-000
29	Seal Bearing Assembly (A.B.)	186864	816032-000
2	Bronze Impeller	186359	816302-047
2	Steel Impeller	186441	816302-017
2	Noryl Impeller	N/A	816302-317
8	Coupler	118473	807436-000
28	Body Gasket	P57410	106158-000
4	Flange Gasket	118368	805176-000
15	Seal Kit	118681	816706-021
1	Bronze Body	N/A	816337-041
1	Cast Iron Body	186386	816337-011

CIRCULATOR PARTS CROSS REFERENCE

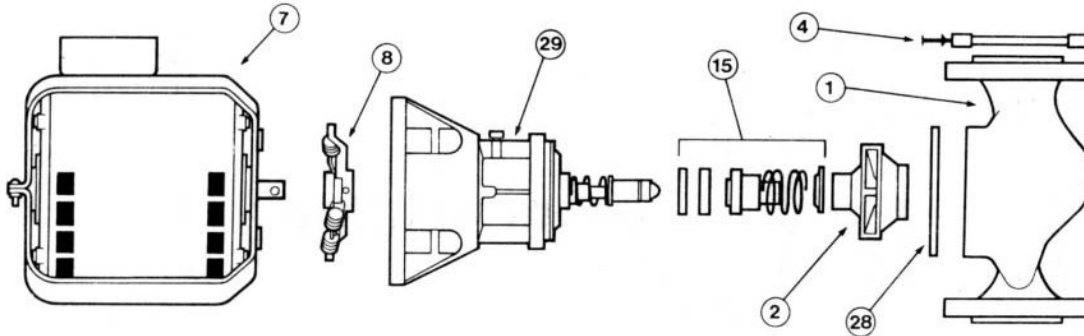
MODEL NUMBER	
ITT / B&G 60-3 (OLD), 60-13 (NEW)	ARMSTRONG H-53 BF & AB (STANDARD CONSTRUCTION IS BRONZE FITTED)



ITEM NO.	PART DESCRIPTION	PART NUMBER	
		B&G	ARMSTRONG
7	1/2 hp Motor 1PH/60/115/230	111044	811757-001
7	1/2 hp Motor 3PH/60/208/230/460	111046	831011-083* 811757-024
29	Seal Bearing Assembly (Std./B.F.)	186863	816032-000
29	Seal Bearing Assembly (A.B.)	186864	816032-000
2	Bronze Impeller	186368	816303-047
2	Steel Impeller	P61010	816303-017
2	Noryl Impeller	N/A	816303-317
8	Coupler 1/2" x 5/8"	118709	806137-000
28	Body Gasket	P57410	106158-000
4	Flange Gasket	118368	805176-000
15	Seal Kit	118681	816706-021
1	Bronze Body	N/A	816337-041
1	Cast Iron Body	186386	816337-011

CIRCULATOR PARTS CROSS REFERENCE

MODEL NUMBER	
ITT / B&G 60-4 (OLD), 60-14 (NEW)	ARMSTRONG H-54 BF & AB (STANDARD CONSTRUCTION IS BRONZE FITTED)

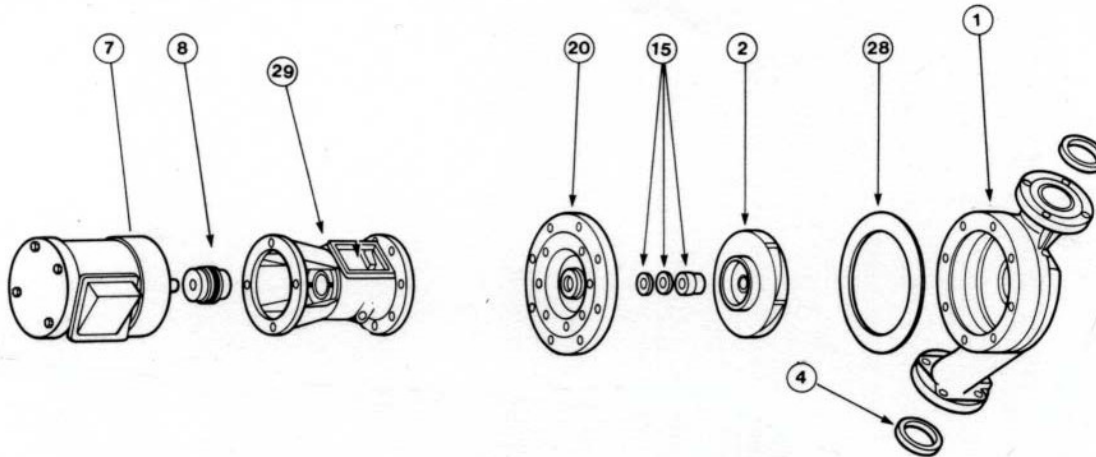


ITEM NO.	PART DESCRIPTION	PART NUMBER	
		B&G	ARMSTRONG
7	3/4 hp Motor 1PH/60/115/230	111047	811757-002
7	3/4 hp Motor 3PH/60/208/230/460	111049	831012-083* 811757-024
29	Seal Bearing Assembly (Std./B.F.)	186863	816032-000
29	Seal Bearing Assembly (A.B.)	186864	816032-000
2	Bronze Impeller	118626	816304-047
2	Steel Impeller	118629	816304-017
2	Noryl Impeller	N/A	816304-317
8	Coupler 1/2" x 5/8"	118709	806137-000
28	Body Gasket	P57410	106158-000
4	Flange Gasket	118378	816117-000
15	Seal Kit	118681	816706-021
1	Bronze Body	P57200	816338-041
1	Cast Iron Body	186392	816338-011

*Rigid Mount Ball Bearing Motor can be supplied or the Resilient Mount Motor.

CIRCULATOR PARTS CROSS REFERENCE

MODEL NUMBER	
ITT / B&G PD-39 (Mftd. Prior to 10/77, Date Coded KU)	ARMSTRONG - NO EQUIVALENT



ITEM NO.	PART DESCRIPTION	PART NUMBER	
		B&G	ARMSTRONG
7	1 hp Motor 1PH/60/115/230	111050	811757-007
7	1 hp Motor 3PH/60/208/230/460	111051	811757-028
29	Seal Bearing Assembly (Std./B.F.)	185232	816133-000**
29	Seal Bearing Assembly (A.B.)	185234	816134-000**
2	Bronze Impeller	118453	816311-041
2	Steel Impeller	N/A	N/A
8	Coupler 5/8" X 1/2"	186410	812734-000
8	Coupler 5/8" X 5/8"	118476/P77265	816665-000
28	Body Gasket	P57700	106592-000
4	Flange Gasket	118129	805201-000
15	Seal Kit	186499	810120-009

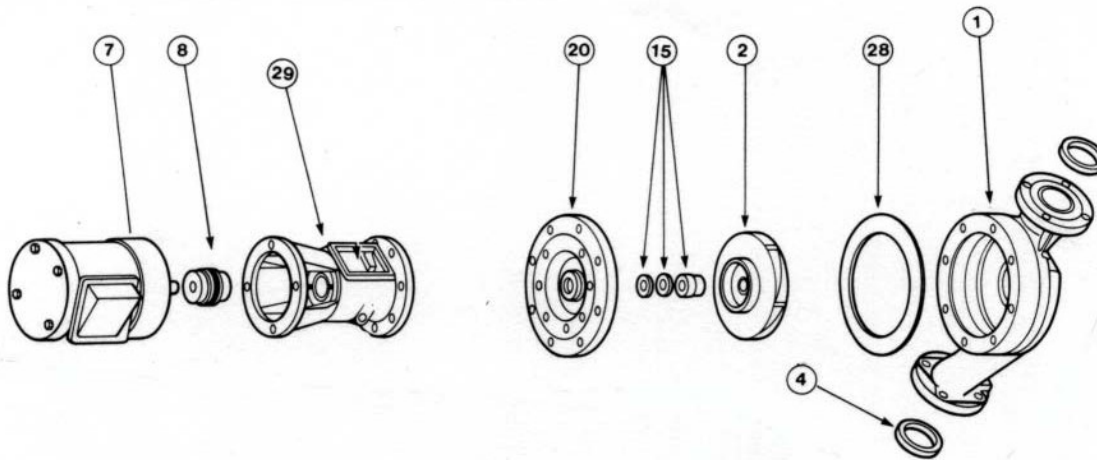
**NOTES: Use the B&G Impeller (with pressure balance holes) with these Bearing Assemblies. These Bearing Assemblies include the following Cover Plates and are supplied with Part Number 817607-001 Seal Kit and Body Gasket:

#20 for STD. & B.F. 816347-011
#20 for A.B. 816347-041

CIRCULATOR PARTS CROSS REFERENCE

MODEL NUMBER	
ITT / B&G PD-39 (Mftd. Prior to 10/77 or after, Date Coded KU)	ARMSTRONG - NO EQUIVALENT

(STANDARD CONSTRUCTION IS BRONZE FITTED)



ITEM NO.	PART DESCRIPTION	PART NUMBER	
		B&G	ARMSTRONG
7	1 hp Motor 1PH/60/115/230	111050	811757-007
7	1 hp Motor 3PH/60/208/230/460	111051	811757-028
29	Seal Bearing Assembly (Std./B.F.)	185260	816133-000**
29	Seal Bearing Assembly (A.B.)	185262	816134-000**
2	Bronze Impeller	118453	816311-041
2	Steel Impeller	N/A	N/A
8	Coupler 5/8" X 1/2"	186410	810120-008
8	Coupler 5/8" X 5/8"	118476/P77265	816665-000
28	Body Gasket	P57700	106592-000
4	Flange Gasket	118129	805201-000
15	Seal Kit	186499	810120-009

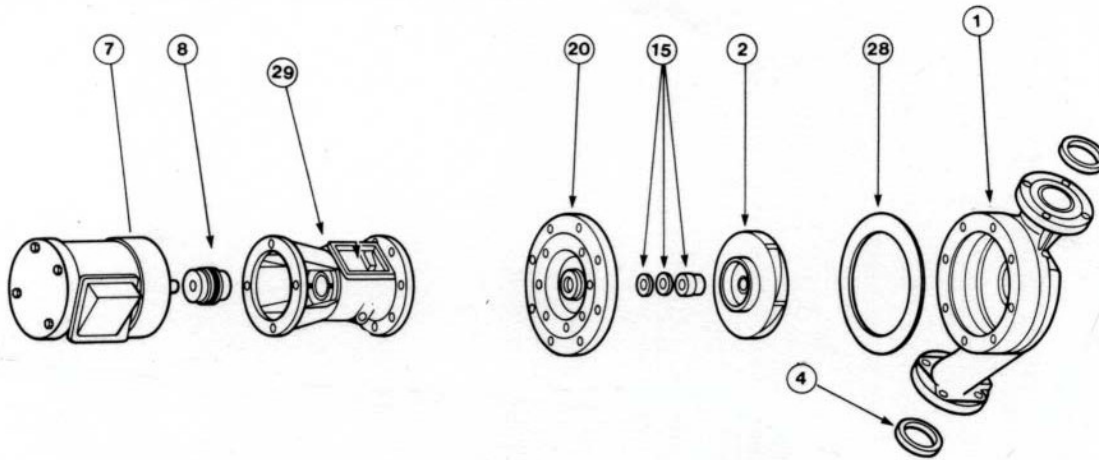
**NOTES: Use the B&G Impeller (with pressure balance holes) with these Bearing Assemblies. These Bearing Assemblies include the following Cover Plates and are supplied with Part Number 817607-001 Seal Kit and Body Gasket:

#20 for STD. & B.F. 816347-011
#20 for A.B. 816347-041

CIRCULATOR PARTS CROSS REFERENCE

MODEL NUMBER	
ITT / B&G 60-5 (OLD), 60-15 (NEW) (Mftd. Prior to 10/77 or after, Date Coded KU)	ARMSTRONG - NO EQUIVALENT

(STANDARD CONSTRUCTION IS BRONZE FITTED)



ITEM NO.	PART DESCRIPTION	PART NUMBER	
		B&G	ARMSTRONG
7	1/2 hp Motor 1PH/60/115/230	111044	811757-001
7	1/2 hp Motor 3PH/60/208/230/460	111046	811757-020
29	Seal Bearing Assembly (Std./B.F.)	185232	816133-000**
29	Seal Bearing Assembly (A.B.)	185234	816134-000**
2	Bronze Impeller	P57445	816309-041
2	Steel Impeller	N/A	N/A
8	Coupler 5/8" X 1/2"	186410	810120-008
8	Coupler 5/8" X 5/8"	118476/P77265	816665-000
28	Body Gasket	P57700	106592-000
4	Flange Gasket	118373	804034-000
15	Seal Kit	186499	810120-009

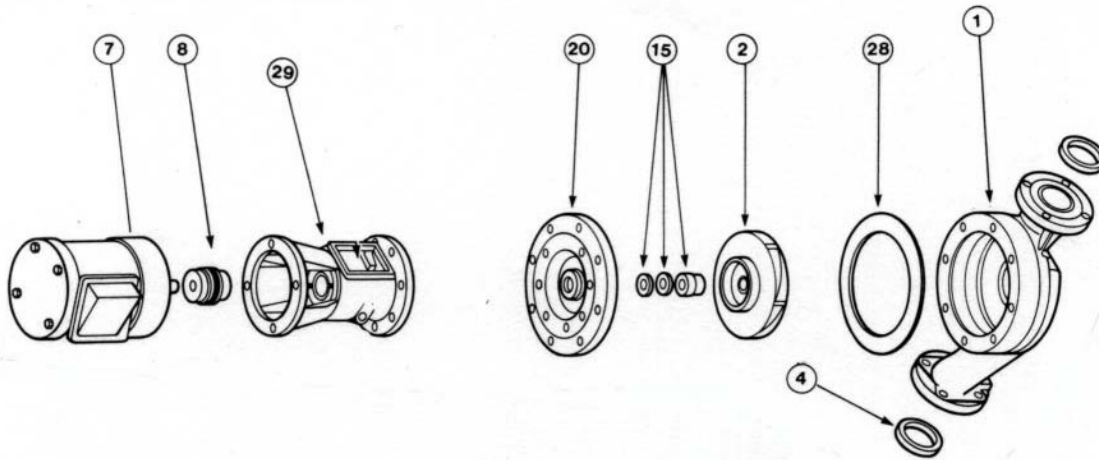
**NOTES: Use the B&G Impeller (with pressure balance holes) with these Bearing Assemblies. These Bearing Assemblies include the following Cover Plates and are supplied with Part Number 817607-001 Seal Kit and Body Gasket:

#20 for STD. & B.F. 816347-011
#20 for A.B. 816347-041

CIRCULATOR PARTS CROSS REFERENCE

MODEL NUMBER	
ITT / B&G 60-6 (OLD), 60-16 (NEW) (Mftd. Prior to 10/77, Date Coded KU)	ARMSTRONG - NO EQUIVALENT

(STANDARD CONSTRUCTION IS BRONZE FITTED)



ITEM NO.	PART DESCRIPTION	PART NUMBER	
		B&G	ARMSTRONG
7	3/4 hp Motor 1PH/60/115/230	111047	811757-002
7	3/4 hp Motor 3PH/60/208/230/460	111049	811757-024
29	Seal Bearing Assembly (Std./B.F.)	185232	816133-000**
29	Seal Bearing Assembly (A.B.)	185234	816134-000**
2	Bronze Impeller	P57445	816309-041
2	Steel Impeller	N/A	N/A
8	Coupler 5/8" X 1/2"	186410	810120-008
8	Coupler 5/8" X 5/8"	118476/P77265	816665-000
28	Body Gasket	P57700	106592-000
4	Flange Gasket	118373	804034-000
15	Seal Kit	186499	810120-009

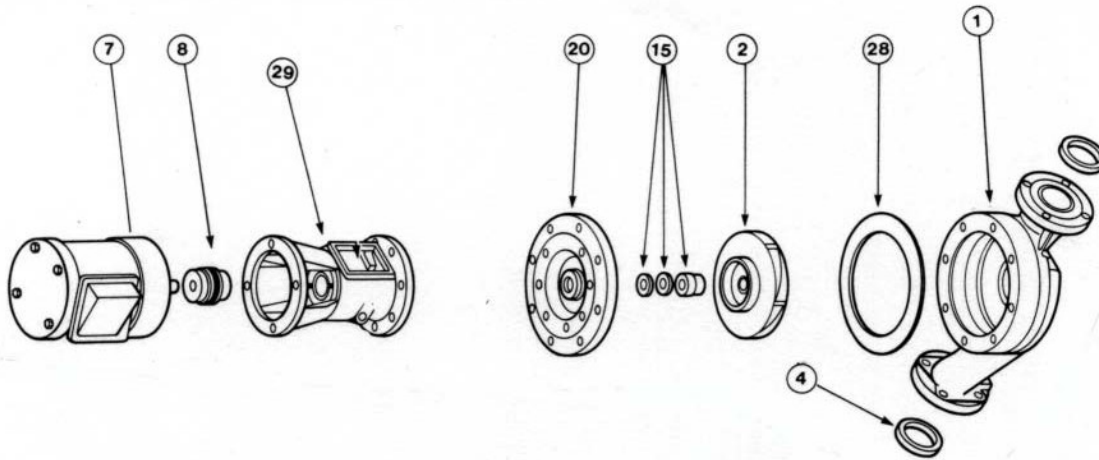
**NOTES: Use the B&G Impeller (with pressure balance holes) with these Bearing Assemblies. These Bearing Assemblies include the following Cover Plates and are supplied with Part Number 817607-001 Seal Kit and Body Gasket:

#20 for STD. & B.F. 816347-011
#20 for A.B. 816347-041

CIRCULATOR PARTS CROSS REFERENCE

MODEL NUMBER	
ITT / B&G 60-7 (OLD), 60-17 (NEW) (Mftd. Prior to 10/77, Date Coded KU)	ARMSTRONG - NO EQUIVALENT

(STANDARD CONSTRUCTION IS BRONZE FITTED)



ITEM NO.	PART DESCRIPTION	PART NUMBER	
		B&G	ARMSTRONG
7	1 hp Motor 1PH/60/115/230	111050	811757-007
7	1 hp Motor 3PH/60/208/230/460	111051	811757-028
29	Seal Bearing Assembly (Std./B.F.)	185232	816133-000**
29	Seal Bearing Assembly (A.B.)	185234	816134-000**
2	Bronze Impeller	P57445	816309-041
2	Steel Impeller	N/A	N/A
8	Coupler 5/8" X 1/2"	186410	810120-008
8	Coupler 5/8" X 5/8"	118476/P77265	816665-000
28	Body Gasket	P57700	106592-000
4	Flange Gasket	118373	804034-000
15	Seal Kit	186499	810120-009

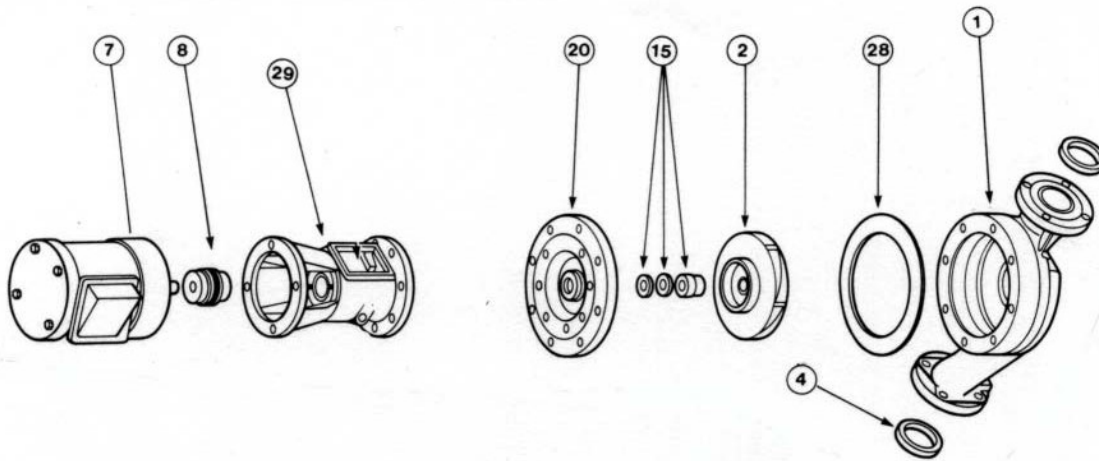
****NOTES:** Use the B&G Impeller (with pressure balance holes) with these Bearing Assemblies. These Bearing Assemblies include the following Cover Plates and are supplied with Part Number 817607-001 Seal Kit and Body Gasket:

#20 for STD. & B.F. 816347-011
#20 for A.B. 816347-041

CIRCULATOR PARTS CROSS REFERENCE

MODEL NUMBER	
ITT / B&G 60-9 (OLD), 60-19 (NEW) (Mftd. Prior to 10/77, Date Coded KU)	ARMSTRONG - NO EQUIVALENT

(STANDARD CONSTRUCTION IS BRONZE FITTED)



ITEM NO.	PART DESCRIPTION	PART NUMBER	
		B&G	ARMSTRONG
7	1 hp Motor 1PH/60/115/230	111050	811757-007
7	1 hp Motor 3PH/60/208/230/460	111051	811757-028
29	Seal Bearing Assembly (Std./B.F.)	185232	816133-000**
29	Seal Bearing Assembly (A.B.)	185234	816134-000**
2	Bronze Impeller	P57450	816310-041
2	Steel Impeller	N/A	N/A
8	Coupler 5/8" X 1/2"	186410	810120-008
8	Coupler 5/8" X 5/8"	118476/P77265	816665-000
28	Body Gasket	P57700	106592-000
4	Flange Gasket	118378	816117-000
15	Seal Kit	186499	810120-009

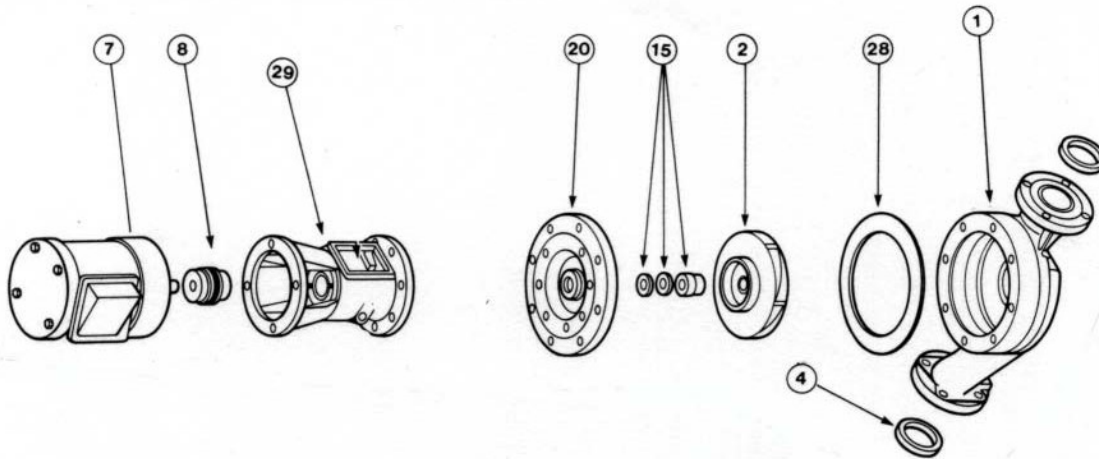
**NOTES: Use the B&G Impeller (with pressure balance holes) with these Bearing Assemblies. These Bearing Assemblies include the following Cover Plates and are supplied with Part Number 817607-001 Seal Kit and Body Gasket:

#20 for STD. & B.F. 816347-011
#20 for A.B. 816347-041

CIRCULATOR PARTS CROSS REFERENCE

MODEL NUMBER	
ITT / B&G 60-10 (OLD), 60-20 (NEW) (Mftd. Prior to 10/77, Date Coded KU)	ARMSTRONG - NO EQUIVALENT

(STANDARD CONSTRUCTION IS BRONZE FITTED)



ITEM NO.	PART DESCRIPTION	PART NUMBER	
		B&G	ARMSTRONG
7	1 1/2 hp Motor 1PH/60/115/230	169005	816678-062
7	1 1/2 hp Motor 3PH/60/208/230/460	169091/169092	816678-069
29	Seal Bearing Assembly (Std./B.F.)	185232	816133-000**
29	Seal Bearing Assembly (A.B.)	185234	816134-000**
2	Bronze Impeller	P57450	816310-041
2	Steel Impeller	N/A	N/A
8	Coupler 5/8" X 1/2"	186410	810120-008
8	Coupler 5/8" X 5/8"	118476/P77265	816665-000
28	Body Gasket	P57700	106592-000
4	Flange Gasket	118373	804034-000
15	Seal Kit	186499	810120-009

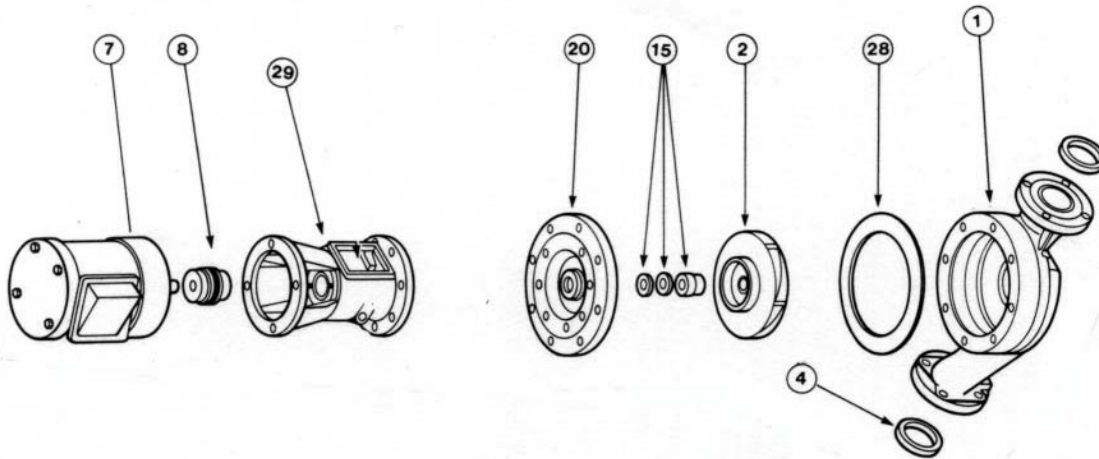
**NOTES: Use the B&G Impeller (with pressure balance holes) with these Bearing Assemblies. These Bearing Assemblies include the following Cover Plates and are supplied with Part Number 817607-001 Seal Kit and Body Gasket:

#20 for STD. & B.F. 816347-011
#20 for A.B. 816347-041

CIRCULATOR PARTS CROSS REFERENCE

MODEL NUMBER	
ITT / B&G 60-6 (OLD), 60-16 (NEW) (Mftd. Prior to 10/77 or after, Date Coded KU)	ARMSTRONG - NO EQUIVALENT

(STANDARD CONSTRUCTION IS BRONZE FITTED)



ITEM NO.	PART DESCRIPTION	PART NUMBER	
		B&G	ARMSTRONG
7	3/4 hp Motor 1PH/60/115/230	111047	811757-002
7	3/4 hp Motor 3PH/60/208/230/460	111049	811757-024
29	Seal Bearing Assembly (Std./B.F.)	185260	816133-000**
29	Seal Bearing Assembly (A.B.)	185262	816134-000**
2	Bronze Impeller	P57445	816309-041
2	Steel Impeller	N/A	N/A
8	Coupler 5/8" X 1/2"	186410	810120-008
8	Coupler 5/8" X 5/8"	118476/P77265	816665-000
28	Body Gasket	P57700	106592-000
4	Flange Gasket	118373	804034-000
15	Seal Kit	186499	810120-009

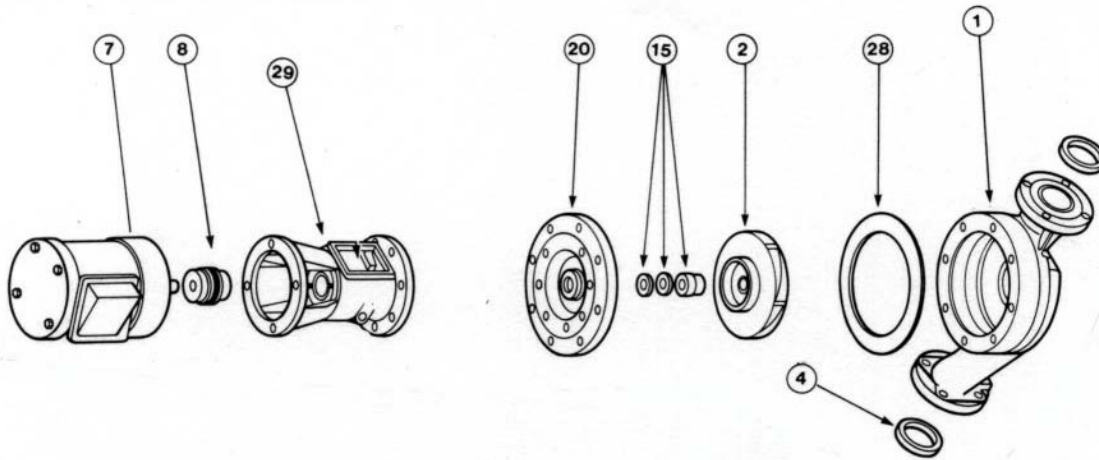
**NOTES: Use the B&G Impeller (with pressure balance holes) with these Bearing Assemblies. These Bearing Assemblies include the following Cover Plates and are supplied with Part Number 817607-001 Seal Kit and Body Gasket:

#20 For STD. & B.F. 816347-011
#20 For A.B. 816347-041

CIRCULATOR PARTS CROSS REFERENCE

MODEL NUMBER	
ITT / B&G 60-7 (OLD), 60-17 (NEW) (Mftd. Prior to 10/77 or after, Date Coded KU)	ARMSTRONG - NO EQUIVALENT

(STANDARD CONSTRUCTION IS BRONZE FITTED)



ITEM NO.	PART DESCRIPTION	PART NUMBER	
		B&G	ARMSTRONG
7	1 hp Motor 1PH/60/115/230	111050	811757-007
7	1 hp Motor 3PH/60/208/230/460	111051	811757-028
29	Seal Bearing Assembly (Std./B.F.)	185260	816133-000**
29	Seal Bearing Assembly (A.B.)	185262	816134-000**
2	Bronze Impeller	P57445	816309-041
2	Steel Impeller	N/A	N/A
8	Coupler 5/8" X 1/2"	186410	810120-008
8	Coupler 5/8" X 5/8"	118476/P77265	816665-000
28	Body Gasket	P57700	106592-000
4	Flange Gasket	118373	804034-000
15	Seal Kit	186499	810120-009

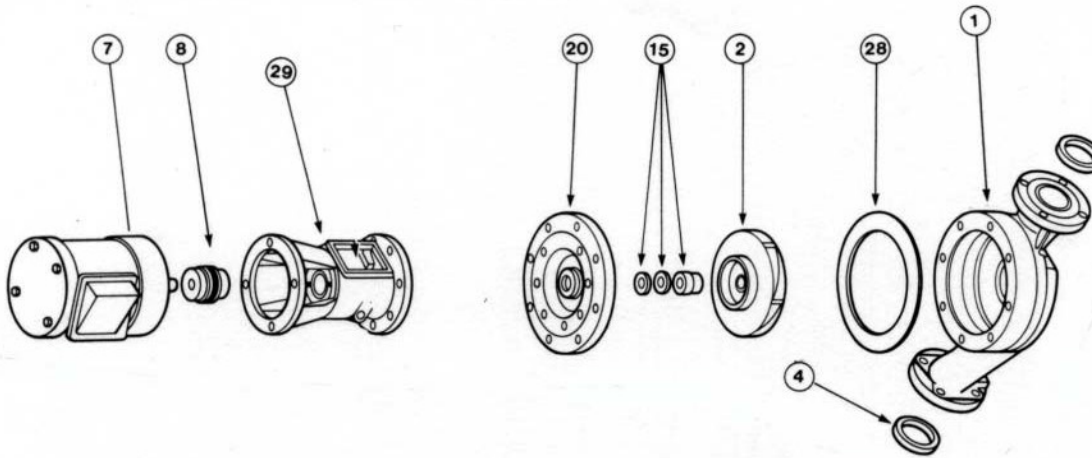
****NOTES:** Use the B&G Impeller (with pressure balance holes) with these Bearing Assemblies. These Bearing Assemblies include the following Cover Plates and are supplied with Part Number 817607-001 Seal Kit and Body Gasket:

#20 for STD. & B.F. 816347-011
#20 for A.B. 816347-041

CIRCULATOR PARTS CROSS REFERENCE

MODEL NUMBER	
ITT / B&G 60-9 (OLD), 60-19 (NEW) (Mftd. Prior to 10/77 or after, Date Coded KU)	ARMSTRONG - NO EQUIVALENT

(STANDARD CONSTRUCTION IS BRONZE FITTED)



ITEM NO.	PART DESCRIPTION	PART NUMBER	
		B&G	ARMSTRONG
7	1 hp Motor 1PH/60/115/230	111050	811757-007
7	1 hp Motor 3PH/60/208/230/460	111051	811757-028
29	Seal Bearing Assembly (Std./B.F.)	185260	816133-000**
29	Seal Bearing Assembly (A.B.)	185262	816134-000**
2	Bronze Impeller	P57450	816310-041
2	Steel Impeller	N/A	N/A
8	Coupler 5/8" X 1/2"	186410	810120-008
8	Coupler 5/8" X 5/8"	118476/P77265	816665-000
28	Body Gasket	P57700	106592-000
4	Flange Gasket	118378	816117-000
15	Seal Kit	186499	810120-009

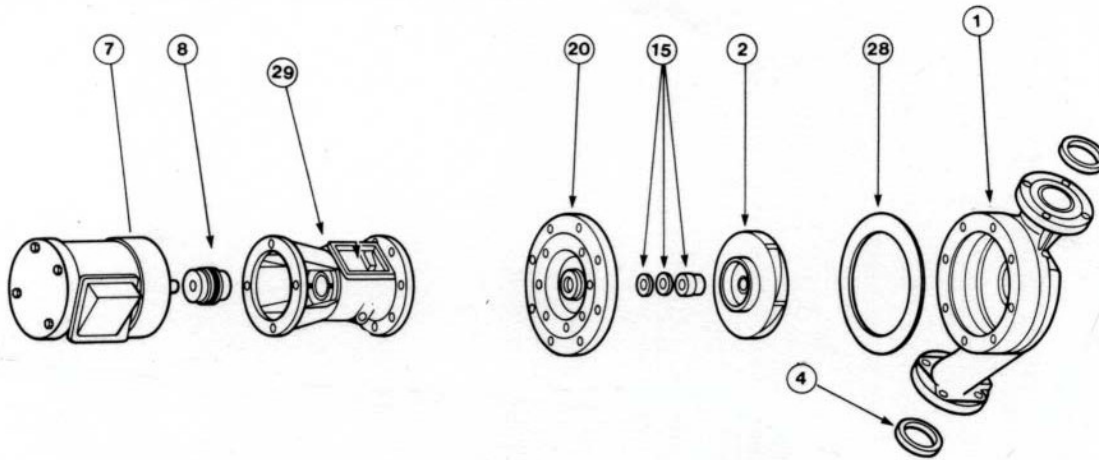
**NOTES: Use the B&G Impeller (with pressure balance holes) with these Bearing Assemblies. These Bearing Assemblies include the following Cover Plates and are supplied with Part Number 817607-001 Seal Kit and Body Gasket:

#20 for STD. & B.F. 816347-011
#20 For A.B. 816347-041

CIRCULATOR PARTS CROSS REFERENCE

MODEL NUMBER	
ITT / B&G 60-10 (OLD), 60-20 (NEW) (Mftd. Prior to 10/77 or after, Date Coded KU)	ARMSTRONG - NO EQUIVALENT

(STANDARD CONSTRUCTION IS BRONZE FITTED)



ITEM NO.	PART DESCRIPTION	PART NUMBER	
		B&G	ARMSTRONG
7	1 1/2 hp Motor 1PH/60/115/230	169005	816678-062
7	1 1/2 hp Motor 3PH/60/208/230/460	169091/169092 111052	816678-069
29	Seal Bearing Assembly (Std./B.F.)	185260	816133-000**
29	Seal Bearing Assembly (A.B.)	185262	816134-000**
2	Bronze Impeller	P57450	816310-041
2	Steel Impeller	N/A	N/A
8	Coupler 5/8" X 1/2"	186410	810120-008
8	Coupler 5/8" X 5/8"	118476/P77265	816665-000
28	Body Gasket	P57700	106592-000
4	Flange Gasket	118373	804034-000
15	Seal Kit	186499	810120-009

**NOTES: Use the B&G Impeller (with pressure balance holes) with these Bearing Assemblies. These Bearing Assemblies include the following Cover Plates and are supplied with Part Number 817607-001 Seal Kit and Body Gasket:

#20 for STD. & B.F. 816347-011
#20 for A.B. 816347-041



FILE NO.:	6010.43
DATE:	June 1, 2005
SUPERSEDES:	New
DATE:	New

**CIRCULATOR PARTS
CROSS REFERENCE**

For B&G Pumps Only

Description	PART NUMBER	
	B&G	ARMSTRONG
2" - SBA	189129-189120	816023-001
2" - 1/6 hp Motor	111061	817025-005
SBA for PD-39, 60-5, 60-6, 60-7, 60-9 & 60-10 60-15, 60-16, 60-17, 60-19 & 60-20	185260 Std/BF Old #PD26Z-12351 185232 Std/BF Old #PD25Z-12351	816133-000***
Same as above	185262 AB 185234 AB	816134-000***
HD3 - 1/3 hp Motor	111042	816025-013

***NOTE: Use the B&G Impeller (with pressure balance holes) with these bearing assemblies. These seal bearing assemblies include the 816366-041 bearing assembly, 816707-001 seal kit, and either the 816347-011 Std./B.F. cover plate of the 816347-041 A.B.