



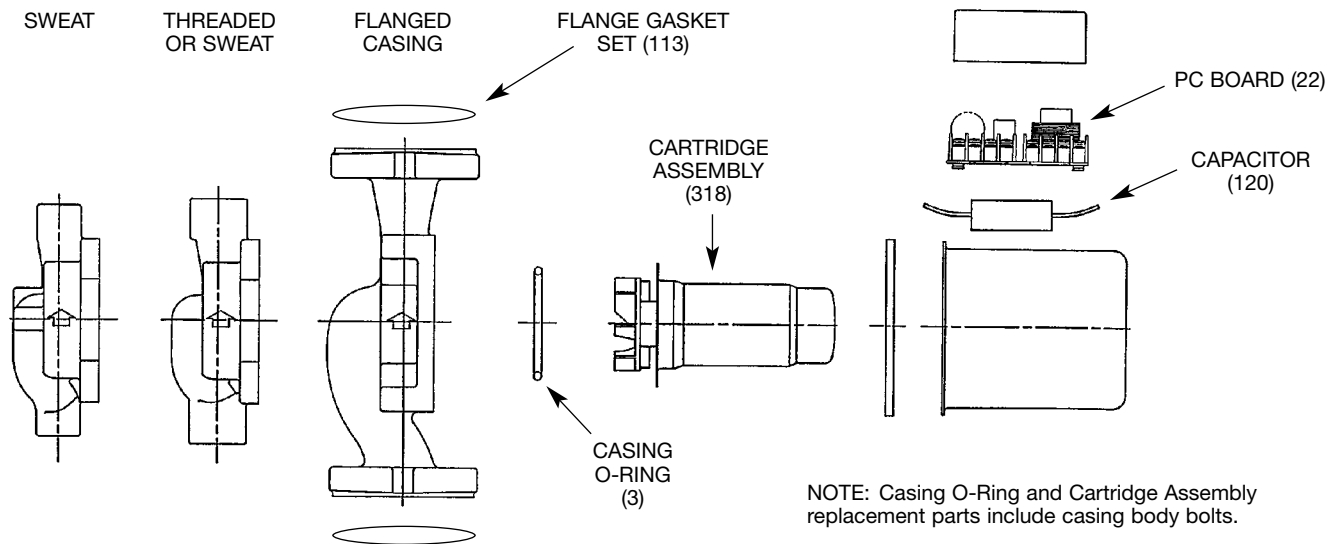
Replacement Parts List

104-110

00 Circulators

SUPERSEDES: 104-007, 104-008 and 104-009

EFFECTIVE: March 1, 2001



003

PUMP MODEL NUMBER	CASING O-RING	FLANGE GASKET SET	CAPACITOR OR PC BOARD*	CART. ASSY. COMPLETE	VALVE ASSY. TRANS/RELAY*
003-B4	007-003RP	NA	007-002RP	003-001RP	
003-B4-1	NA	NA	NA	003-002RP	
003-B4-1IFC	007-003RP	NA	007-002RP	003-003RP	006-044RP
003-B4-IFC	007-003RP	NA	007-002RP	003-003RP	006-044RP
003-B4-PNP	007-003RP	NA	007-002RP	003-001RP	
003-BC4	007-003RP	NA	007-002RP	003-001RP	
003-BC4-1	007-003RP	NA	007-002RP	003-001RP	
003-BC4-1PNP	007-003RP	NA	007-002RP	003-001RP	
003-BC4-2	NA	NA	NA	003-002RP or 003-001RP	
003-BC4-PNP	007-003RP	NA	007-002RP	003-001RP	
003-BT4	007-003RP	NA	007-002RP	003-001RP	
003-BT4-PNP	007-003RP	NA	007-002RP	003-001RP	
003-ZB4	007-003RP	NA	005-025RP*	003-001RP	

005

PUMP MODEL NUMBER	CASING O-RING	FLANGE GASKET SET	CAPACITOR OR PC BOARD*	CART. ASSY. COMPLETE	VALVE ASSY. TRANS/RELAY*
005-BF1	008-005RP	007-007RP	007-002RP	005-020RP	
005-BF1-2W	005-012RP	007-007RP	007-002RP	005-019RP	
005-BF1-JW	008-005RP	007-007RP	007-002RP	005-019RP	
005-BF1-W	008-005RP	007-007RP	007-002RP	005-020RP	
005-BF2	008-005RP	007-007RP	007-002RP	005-020RP	
005-BF2-1	008-005RP	007-007RP	007-002RP	005-020RP	
005-BF2-1	008-005RP				
005-BF2-2	NA	NA	NA	006-042RP or 005-020RP	
005-BF2-2	008-005RP	007-007RP	007-002RP	005-020RP	
005-BF2-J	008-005RP	007-007RP	007-002RP	005-020RP	
005-BF2-J	008-005RP	007-007RP	007-002RP	005-020RP	
005-BF3Y	008-005RP	007-007RP	007-002RP	005-020RP	
005-BF3Y-1	NA	NA	NA	006-042RP or 005-020RP	

005 (Continued)

PUMP MODEL NUMBER	CASING O-RING	FLANGE GASKET SET	CAPACITOR OR PC BOARD*	CART. ASSY. COMPLETE	VALVE ASSY. TRANS/RELAY*
005-F1	008-005RP	007-007RP	007-002RP	005-019RP	
005-F1-1	008-005RP	007-007RP	007-002RP	005-019RP	
005-F1-1W	008-005RP	007-007RP	007-002RP	005-019RP	
005-F2	008-005RP	007-007RP	007-002RP	005-019RP	
005-F2-3	NA	NA	NA	005-028RP or 005-019RP	
005-F2-3	008-005RP	007-007RP	007-002RP	005-019RP	
005-F2-4	008-005RP	007-007RP	007-002RP	007-042RP	
005-F3Y	008-005RP	007-007RP	007-002RP	005-019RP	
005-F3Y-1	NA	NA	NA	005-028RP or 005-019RP	
005-F3Y-1	008-005RP	007-007RP	007-002RP	005-019RP	
005-T1	007-003RP	NA	007-002RP	005-019RP	
005-T1-1	007-003RP	NA	007-002RP	005-019RP	
005-ZBF2	008-005RP	007-007RP	005-025RP*	005-020RP	
005-ZBF2-1	008-005RP	007-007RP	005-025RP*	005-020RP	
005-ZF2	008-005RP	007-007RP	007-002RP	005-019RP	005-023RP/005-022RP*
005-ZF2-1	008-005RP	007-007RP	007-002RP	005-019RP	005-023RP/005-022RP*
005-ZF2-2	008-005RP	007-007RP	005-026RP*	005-019RP	
005-ZF2-3	008-005RP	007-007RP	005-026RP*	005-019RP	
005-ZF2-4	008-005RP	007-007RP	005-025RP*	005-019RP	

006

PUMP MODEL NUMBER	CASING O-RING	FLANGE GASKET SET	CAPACITOR OR PC BOARD*	CART. ASSY. COMPLETE	VALVE ASSY. TRANS/RELAY*
006-B2	007-003RP	NA	007-002RP	005-020RP	
006-B2Y	007-003RP	NA	007-002RP	005-020RP	
006-B3	007-003RP	NA	007-002RP	005-020RP	
006-B3-1	007-003RP	NA	007-002RP	005-020RP	
006-B3-2	007-003RP	NA	007-002RP	005-020RP	
006-B3-W	007-003RP	NA	007-002RP	005-020RP	
006-B3Y	007-003RP	NA	007-002RP	005-020RP	
006-B4	007-003RP	NA	007-002RP	005-020RP	
006-B4-1	007-003RP	NA	007-002RP	005-020RP	
006-B4-2	007-003RP	NA	007-002RP	005-020RP	
006-B4-3	007-003RP	NA	007-002RP	005-020RP	
006-B4-4	NA	NA	NA	006-042RP or 005-020RP	
006-B4-5	007-003RP	NA	007-002RP	006-032RP	
006-B4-6	007-003RP	NA	007-002RP	005-020RP	
006-B4-7	008-047RP	NA	007-002RP	006-034RP	
006-B4-8	008-047RP	NA	007-002RP	006-035RP	
006-B4-9	007-003RP	NA	007-002RP	005-020RP	
006-B4-10	007-003RP	NA	007-002RP	005-020RP	
006-B4-11	007-003RP	NA	007-002RP	006-040RP	
006-B4-12	NA	NA	NA	006-042RP or 005-020RP	
006-B4-PNP	007-003RP	NA	007-002RP	005-020RP	
006-B4Y	007-003RP	NA	007-002RP	005-020RP	
006-B5A	007-003RP	NA	007-002RP	005-020RP	
006-B5A-1FC	007-003RP	NA	007-002RP	006-036RP	006-037RP
006-B5Y	007-003RP	NA	007-002RP	005-020RP	
006-B5Y-1	008-047RP	NA	007-002RP	006-034RP	
006-B5Y-2	007-003RP	NA	007-002RP	005-020RP	
006-B5Y-3	007-003RP	NA	007-002RP	005-020RP	
006-B6-1IFC	007-003RP	NA	007-002RP	006-036RP	006-044RP
006-B6-2IFC	007-003RP	NA	007-002RP	006-036RP	006-037RP
006-B6-3IFC	007-003RP	NA	007-002RP	006-036RP	006-037RP
006-B6-4IFC	007-003RP	NA	007-002RP	006-036RP	006-044RP
006-B6-IFC	007-003RP	NA	007-002RP	006-036RP	006-044RP
006-B6Y-1IFC	007-003RP	NA	007-002RP	006-036RP	006-044RP
006-B6Y-IFC	007-003RP	NA	007-002RP	006-036RP	006-044RP
006-BC2	007-003RP	NA	007-002RP	005-020RP	006-044RP
006-BC2A	007-003RP	NA	007-002RP	005-020RP	006-044RP
006-BC2A-1	007-003RP	NA	007-002RP	005-020RP	006-044RP
006-BC2-W	007-003RP	NA	007-002RP	005-020RP	006-044RP
006-BC2Y	007-003RP	NA	007-002RP	005-020RP	006-044RP

006 (Continued)

PUMP MODEL NUMBER	CASING O-RING	FLANGE GASKET SET	CAPACITOR OR PC BOARD*	CART. ASSY. COMPLETE	VALVE ASSY. TRANS/RELAY*
006-BC2Y-1	007-003RP	NA	007-002RP	005-020RP	
006-BC2Y-W	007-003RP	NA	007-002RP	005-020RP	
006-BC3	007-003RP	NA	007-002RP	005-020RP	
006-BC3-1	007-003RP	NA	007-002RP	005-020RP	
006-BC3-1W	007-003RP	NA	007-002RP	005-020RP	
006-BC3-3	007-003RP	NA	007-002RP	005-020RP	
006-BC3-3W	007-003RP	NA	007-002RP	005-020RP	
006-BC3Y	007-003RP	NA	007-002RP	005-020RP	
006-BC3Y-1	007-003RP	NA	007-002RP	005-020RP	
006-BC3Y-1W	007-003RP	NA	007-002RP	005-020RP	
006-BC3Y-2W	007-003RP	NA	007-002RP	005-020RP	
006-BC3Y-5W	007-003RP	NA	007-002RP	005-020RP	
006-BC3Y-6	007-003RP	NA	007-002RP	005-020RP	
006-BC3Y-W	007-003RP	NA	007-002RP	005-020RP	
006-BC4	007-003RP	NA	007-002RP	005-020RP	
006-BC4-1	007-003RP	NA	007-002RP	005-020RP	
006-BC4-1PNP	007-003RP	NA	007-002RP	005-020RP	
006-BC4-3	007-003RP	NA	007-002RP	005-020RP	
006-BC4-4	007-003RP	NA	007-002RP	005-020RP	
006-BC4-5	007-003RP	NA	007-002RP	005-020RP	
006-BC4-6	NA	NA	NA	006-042RP or 005-020RP	
006-BC4-PNP	007-003RP	NA	007-002RP	005-020RP	
006-BC4Y	007-003RP	NA	007-002RP	005-020RP	
006-BC4Y-1	007-003RP	NA	007-002RP	005-020RP	
006-BC4Y-2	007-003RP	NA	007-002RP	005-020RP	
006-BC4Y-3	007-003RP	NA	007-002RP	005-020RP	
006-BC5A	007-003RP	NA	007-002RP	005-020RP	
006-BC5Y	007-003RP	NA	007-002RP	005-020RP	
006-BC5Y-1	007-003RP	NA	007-002RP	005-020RP	
006-BC5Y-2	007-003RP	NA	007-002RP	005-020RP	
006-BC5Y-3	007-003RP	NA	007-002RP	005-020RP	
006-BC5Y-4	007-003RP	NA	007-002RP	005-020RP	
006-BC5Y-4	NA	NA	NA	006-042RP or 005-020RP	
006-BC5Y-5	007-003RP	NA	007-002RP	005-020RP	
006-BC5Y-6	007-003RP	NA	007-002RP	005-020RP	
006-BE4-1	006-039RP	NA	007-002RP	005-020RP	
006-BE4-2	006-039RP	NA	007-002RP	006-040RP	
006-BT2	007-003RP	NA	007-002RP	006-027RP	
006-BT2A	007-003RP	NA	007-002RP	006-027RP	
006-BT2Y	007-003RP	NA	007-002RP	006-027RP	
006-BT3	007-003RP	NA	007-002RP	005-020RP	
006-BT3-1W	007-003RP	NA	007-002RP	005-020RP	
006-BT3Y	007-003RP	NA	007-002RP	005-020RP	
006-BT4	007-003RP	NA	007-002RP	005-020RP	
006-BT4-1	007-003RP	NA	007-002RP	005-020RP	
006-BT4-1	NA	NA	NA	006-042RP	
006-BT4-2	007-003RP	NA	007-002RP	006-032RP	
006-BT4-PNP	007-003RP	NA	007-002RP	005-020RP	
006-BT4Y	007-003RP	NA	007-002RP	005-020RP	
006-BT5A	007-003RP	NA	007-002RP	005-020RP	
006-BT5Y	007-003RP	NA	007-002RP	005-020RP	
006-BT5Y-1	007-003RP	NA	007-002RP	005-020RP	
006-BT5Y-1	NA	NA	NA	006-042RP	
006-ZB4	007-003RP	NA	007-002RP	005-020RP	005-023RP/005-022RP
006-ZB4-1	007-003RP	NA	007-002RP	005-020RP	005-023RP/005-022RP
006-ZB4-2	007-003RP	NA	005-026RP*	005-020RP	
006-ZB4-3	007-003RP	NA	005-026RP*	005-020RP	
006-ZB4-4	007-003RP	NA	005-025RP*	005-020RP	
006-ZB4-5	007-003RP	NA	005-025RP*	005-020RP	

007

PUMP MODEL NUMBER	CASING O-RING	FLANGE GASKET SET	CAPACITOR OR PC BOARD*	CART. ASSY. COMPLETE	VALVE ASSY. TRANS/RELAY*
007-1	007-003RP	NA	007-002RP	NA	
007-2	007-003RP	NA	007-002RP	007-042RP	
007-BF1A	008-005RP	007-007RP	007-040RP	007-045RP	

007 (Continued)

PUMP MODEL NUMBER	CASING O-RING	FLANGE GASKET SET	CAPACITOR OR PC BOARD*	CART. ASSY. COMPLETE	VALVE ASSY. TRANS/RELAY*
007-BF1A-J	008-005RP	007-007RP	007-040RP	007-045RP	
007-BF3	008-005RP	007-007RP	007-002RP	007-045RP	
007-BF3-1W	008-005RP	007-007RP	007-002RP	007-042RP	
007-BF3-2JW	005-012RP	007-007RP	007-002RP	007-042RP	
007-BF3-W	008-005RP	007-007RP	007-002RP	007-045RP	
007-BF3Y	008-005RP	007-007RP	007-002RP	007-045RP	
007-BF4	008-005RP	007-007RP	007-002RP	007-045RP	
007-BF4-1	008-005RP	007-007RP	007-002RP	007-045RP	
007-BF4-2J	008-005RP	007-007RP	007-002RP	007-045RP	
007-BF4-4J	008-005RP	007-007RP	007-002RP	007-045RP	
007-BF4-J	008-005RP	007-007RP	007-002RP	007-045RP	
007-BF5	008-005RP	007-007RP	007-002RP	007-045RP	
007-BF5-1	008-005RP	007-007RP	007-002RP	007-045RP	
007-BF5-3	NA	NA	NA	007-047RP or 007-045RP	
007-BF5-J	008-005RP	007-007RP	007-002RP	007-045RP	
007-BF5-JW	008-005RP	007-007RP	007-002RP	007-045RP	
007-BF6A	008-005RP	007-007RP	007-046RP	007-045RP	
007-BF6A-J	008-005RP	007-007RP	007-046RP	007-045RP	
007-BF6A-JA	008-005RP	007-007RP	007-046RP	007-045RP	
007-BF6A-JC	008-005RP	007-007RP	007-046RP	007-045RP	
007-BF6Y	008-005RP	007-007RP	007-046RP	007-045RP	
007-BF6Y-J	008-005RP	007-007RP	007-046RP	007-045RP	
007-F1	007-003RP	007-007RP	007-002RP	NA	
007-F1A	008-005RP	007-007RP	007-040RP	007-042RP	
007-F2	007-003RP	007-007RP	007-002RP	007-042RP	
007-F3	008-005RP	007-007RP	007-002RP	007-042RP	
007-F3-1	008-005RP	007-007RP	007-002RP	007-042RP	
007-F3-1W	008-005RP	007-007RP	007-002RP	007-042RP	
007-F3-3W	008-005RP	007-007RP	007-002RP	007-042RP	
007-F3-4	008-005RP	007-007RP	007-002RP	007-042RP	
007-F3A	008-005RP	007-007RP	007-002RP	007-042RP	
007-F3R	008-005RP	007-007RP	007-002RP	007-042RP	
007-F3-W	008-005RP	007-007RP	007-002RP	007-042RP	
007-F4	008-005RP	007-007RP	007-002RP	007-042RP	
007-F4-2	008-005RP	007-007RP	007-002RP	007-042RP	
007-F4-3	008-005RP	007-007RP	007-002RP	007-042RP	
007-F4-7	008-005RP	007-007RP	007-040RP	007-042RP	
007-F4-8	008-005RP	007-007RP	007-002RP	007-042RP	
007-F4Y	008-005RP	007-007RP	007-046RP	007-042RP	
007-F5	008-005RP	007-007RP	007-002RP	007-042RP	
007-F5-10	008-005RP	007-007RP	007-046RP	NA	
007-F5-5	008-005RP	007-007RP	007-002RP	007-042RP	
007-F5-8	008-005RP	007-007RP	007-002RP	007-042RP	
007-F5-9	NA	NA	NA	007-048RP or 007-042RP	
007-F6A	008-005RP	007-007RP	007-046RP	007-042RP	
007-F6Y	008-005RP	007-007RP	007-046RP	007-042RP	
007-HBF1A-JA	008-005RP	007-007RP	007-040RP	007-045RP	
007-HBF1A-JC	008-005RP	007-007RP	007-040RP	007-045RP	
007-S22	NA	NA	NA	007-041RP	
007-S23	NA	NA	NA	007-041RP	
007-ZBF5	008-005RP	007-007RP	005-025RP*	007-045RP	
007-ZBF5-1	008-005RP	007-007RP	005-025RP*	007-045RP	
007-ZF4	008-005RP	007-007RP	007-002RP	007-042RP	005-023RP/005-022RP
007-ZF4-1	008-005RP	007-007RP	007-002RP	007-042RP	005-023RP/005-022RP
007-ZF4-2	008-005RP	007-007RP	005-026RP*	007-042RP	
007-ZF4-3	008-005RP	007-007RP	005-026RP*	007-042RP	
007-ZF5-5	008-005RP	007-007RP	005-025RP*	007-042RP	
007-ZF5-6	008-005RP	007-007RP	005-025RP*	007-042RP	
007-ZF5-7	008-005RP	007-007RP	005-025RP*	007-042RP	
007-ZF5-8	008-005RP	007-007RP	005-025RP*	007-042RP	

008

PUMP MODEL NUMBER	CASING O-RING	FLANGE GASKET SET	CAPACITOR OR PC BOARD*	CART. ASSY. COMPLETE	VALVE ASSY. TRANS/RELAY*
008-BC2	008-005RP	NA	007-002RP	008-045RP	
008-BC2Y	008-005RP	NA	007-002RP	008-045RP	
008-BC2Y-2	008-005RP	NA	007-002RP	008-045RP	

008 (Continued)

PUMP MODEL NUMBER	CASING O-RING	FLANGE GASKET SET	CAPACITOR OR PC BOARD*	CART. ASSY. COMPLETE	VALVE ASSY. TRANS/RELAY*
008-BC2Y-5W	008-005RP	NA	007-002RP	008-045RP	
008-BC2Y-W	008-005RP	NA	007-002RP	008-045RP	
008-BC3	008-005RP	NA	007-002RP	NA	
008-BC3-1W	008-005RP	NA	007-002RP	NA	
008-BC3-2	008-005RP	NA	007-002RP	NA	
008-BC3-2W	008-005RP	NA	007-002RP	NA	
008-BC3Y-1W	008-005RP	NA	007-002RP	NA	
008-BC5	008-005RP	NA	007-002RP	008-045RP	
008-BC5-1	008-005RP	NA	007-002RP	008-045RP	
008-BC5-3	008-005RP	NA	007-002RP	008-045RP	
008-BC5Y	008-005RP	NA	007-002RP	008-045RP	
008-BC5Y-1	008-005RP	NA	007-002RP	008-045RP	
008-BC6	008-005RP	NA	007-002RP	008-045RP	
008-BC6-1	008-005RP	NA	007-002RP	008-045RP	
008-BC6-2	008-005RP	NA	007-002RP	008-045RP	
008-BC6-3	NA	NA	NA	008-048RP	
008-BC6-4	008-005RP	NA	007-002RP	008-045RP	
008-BC7Y	008-005RP	NA	007-002RP	008-045RP	
008-BC7Y-1	008-005RP	NA	007-002RP	008-045RP	
008-BC7Y-2	008-005RP	NA	007-002RP	008-045RP	
008-BF2	008-005RP	007-007RP	007-002RP	008-045RP	
008-BF3	008-005RP	007-007RP	007-002RP	008-045RP	
008-BF3A	008-005RP	007-007RP	007-002RP	008-045RP	
008-BF3-W	008-005RP	007-007RP	007-002RP	008-045RP	
008-BF3Y	008-005RP	007-007RP	007-002RP	008-045RP	
008-BF5	008-005RP	007-007RP	007-002RP	008-045RP	
008-BF5-J	008-005RP	007-007RP	007-002RP	008-045RP	
008-BF6	008-005RP	007-007RP	007-002RP	008-045RP	
008-BF6-1	008-005RP	007-007RP	007-002RP	008-045RP	
008-BF6-1	NA	NA	NA	008-048RP	
008-BF7A	008-005RP	007-007RP	007-002RP	008-045RP	
008-BF7Y	008-005RP	007-007RP	007-002RP	008-045RP	
008-BF7Y-1	008-005RP	007-007RP	007-002RP	008-045RP	
008-BF7Y-1	NA	NA	NA	008-048RP	
008-BT8V	NA	NA	NA	008-046RP	
008-F2	008-005RP	007-007RP	007-002RP	008-044RP	
008-F3	008-005RP	007-007RP	007-002RP	008-044RP	
008-F3A	008-005RP	007-007RP	007-002RP	008-044RP	
008-F3Y	008-005RP	007-007RP	007-002RP	008-044RP	
008-F4-1	008-005RP	007-007RP	007-002RP	NA	
008-F5	008-005RP	007-007RP	007-002RP	008-044RP	
008-F5-1	008-005RP	007-007RP	007-002RP	008-044RP	
008-F6	008-005RP	007-007RP	007-002RP	008-044RP	
008-F6-1	NA	NA	NA	008-049RP	
008-S46	NA	NA	NA	008-043RP	
008-V2	008-005RP	NA	007-002RP	008-044RP	
008-V2-1	008-005RP	NA	007-002RP	008-044RP	
008-V2A	008-005RP	NA	007-002RP	008-044RP	
008-ZBF6	008-005RP		005-025RP*	008-045RP	
008-ZBF6-1	008-005RP		005-025RP*	008-045RP	
008-ZF5	008-005RP	007-007RP	007-002RP	008-044RP	005-023RP/005-022RP
008-ZF5-1	008-005RP	007-007RP	007-002RP	008-044RP	005-023RP/005-022RP
008-ZF5-2	008-005RP	007-007RP	005-026RP*	008-044RP	
008-ZF5-3	008-005RP	007-007RP	005-026RP*	008-044RP	
008-ZF6-4	008-005RP	007-007RP	005-025RP*	008-044RP	
008-ZF6-5	008-005RP	007-007RP	005-025RP*	008-044RP	

009

PUMP MODEL NUMBER	CASING O-RING	FLANGE GASKET SET	CAPACITOR OR PC BOARD*	CART. ASSY. COMPLETE	VALVE ASSY. TRANS/RELAY*
009-BC2	009-005RP	NA	009-014RP	009-022RP	
009-BC2-W	009-005RP	NA	009-014RP	009-022RP	
009-BC4	009-005RP	NA	009-014RP	009-022RP	
009-BC4-1W	009-005RP	NA	009-014RP	009-022RP	
009-BC4-W	009-005RP	NA	009-014RP	009-022RP	
009-BF2	009-005RP	007-007RP	009-014RP	009-022RP	
009-BF2-W	009-005RP	007-007RP	009-014RP	009-022RP	
009-BF4	009-005RP	007-007RP	009-014RP	009-022RP	
009-BF4-J	009-005RP	007-007RP	009-014RP	009-022RP	

009 (Continued)

PUMP MODEL NUMBER	CASING O-RING	FLANGE GASKET SET	CAPACITOR OR PC BOARD*	CART. ASSY. COMPLETE	VALVE ASSY. TRANS/RELAY*
009-BF4-W	009-005RP	007-007RP	009-014RP	009-022RP	
009-BF5	009-005RP	NA	009-018RP	009-022RP	
009-BF5-1N	009-005RP	NA	009-018RP	009-017RP	
009-BF5-2N	009-005RP	NA	009-018RP	009-017RP	
009-BF5-3	NA	NA	NA	009-025RP or 009-022RP	
009-BF5A	009-005RP	007-007RP	0010-012RP	009-022RP	
009-BF5A-J	009-005RP	007-007RP	0010-012RP	009-022RP	
009-BF5-J	009-005RP	NA	009-018RP	009-022RP	
009-C4-K	009-005RP	NA	009-014RP	009-021RP	
009-F2	009-005RP	007-007RP	009-014RP	009-021RP	
009-F2-W	009-005RP	007-007RP	009-014RP	009-021RP	
009-F4	009-005RP	007-007RP	009-014RP	009-021RP	
009-F4-V	NA	NA	009-014RP	NA	
009-F5	009-005RP	007-007RP	009-018RP	009-021RP	
009-F5-1	NA	NA	NA	009-026RP or 009-021RP	
009-F5A	009-005RP	007-007RP	009-012RP	009-021RP	
009-F5Y	009-005RP	007-007RP	009-012RP	009-021RP	
009-S1	NA	NA	009-014RP	NA	
009-S12	009-005RP	NA	009-018RP	009-017RP	
009-S13	009-005RP	NA	009-018RP	009-017RP	
009-S5	009-005RP	007-007RP	009-014RP	009-021RP	
009-ZBF5	009-005RP	007-007RP	009-024RP*	009-022RP	
009-ZBF5-1	009-005RP	007-007RP	009-024RP*	009-022RP	
009-ZF5	009-005RP	007-007RP	009-024RP*	009-021RP	
009-ZF5-1	009-005RP	007-007RP	009-024RP*	009-021RP	

0010

PUMP MODEL NUMBER	CASING O-RING	FLANGE GASKET SET	CAPACITOR OR PC BOARD*	CART. ASSY. COMPLETE	VALVE ASSY. TRANS/RELAY*
0010-BF1	0010-008RP	007-007RP	009-014RP	0010-022RP	
0010-BF1-J	0010-008RP	007-007RP	009-014RP	0010-022RP	
0010-BF2	0010-008RP	007-007RP	009-018RP	0010-022RP	
0010-BF2-1	0010-008RP	007-007RP	009-018RP	0010-022RP	
0010-BF2A	0010-008RP	007-007RP	0010-012RP	0010-022RP	
0010-BF2-J	0010-008RP	007-007RP	009-018RP	0010-022RP	
0010-BF3	0010-008RP	007-007RP	009-018RP	0010-022RP	
0010-BF3A	0010-008RP	007-007RP	0010-012RP	0010-022RP	
0010-BF3-J	0010-008RP	007-007RP	009-018RP	0010-022RP	
0010-BF3Y	0010-008RP	007-007RP	0010-012RP	0010-022RP	
0010-F1	0010-008RP	007-007RP	009-014RP	0010-021RP	
0010-F1-1W	0010-008RP	007-007RP	009-014RP	0010-021RP	
0010-F2	0010-008RP	007-007RP	009-018RP	0010-021RP	
0010-F2-1	NA	NA	NA	0010-023RP or 0010-021RP	
0010-F2A	0010-008RP	007-007RP	0010-012RP	0010-021RP	
0010-F2Y	0010-008RP	007-007RP	0010-012RP	0010-021RP	
0010-F3	0010-008RP	007-007RP	009-018RP	0010-021RP	
0010-F3A	0010-008RP	007-007RP	0010-012RP	0010-021RP	
0010-F3Y	0010-008RP	007-007RP	0010-012RP	0010-021RP	
0010-ZBF2	0010-008RP	007-007RP	009-024RP*	0010-022RP	
0010-ZBF2-1	0010-008RP	007-007RP	009-024RP*	0010-022RP	
0010-ZF2	0010-008RP	007-007RP	009-024RP*	0010-021RP	
0010-ZF2-1	0010-008RP	007-007RP	009-024RP*	0010-021RP	

0011

PUMP MODEL NUMBER	CASING O-RING	FLANGE GASKET SET	CAPACITOR OR PC BOARD*	CART. ASSY. COMPLETE	VALVE ASSY. TRANS/RELAY*
0011-BF1	009-005RP	007-007RP	0011-002RP	NA	
0011-BF1-J	009-005RP	007-007RP	0011-002RP	NA	
0011-BF1Y	009-005RP	007-007RP	0011-003RP	NA	
0011-BF1Y-J	009-005RP	007-007RP	0011-003RP	NA	
0011-BF2	009-005RP	007-007RP	0011-002RP	0011-010RP	
0011-BF2A	009-005RP	007-007RP	0011-003RP	0011-010RP	
0011-BF2A-J	009-005RP	007-007RP	0011-003RP	0011-010RP	
0011-BF2-J	009-005RP	007-007RP	0011-002RP	0011-010RP	
0011-BF2Y	009-005RP	007-007RP	0011-003RP	0011-010RP	
0011-BF2Y-1J	009-005RP	007-007RP	0011-003RP	0011-010RP	

0011 (Continued)

PUMP MODEL NUMBER	CASING O-RING	FLANGE GASKET SET	CAPACITOR OR PC BOARD*	CART. ASSY. COMPLETE	VALVE ASSY. TRANS/RELAY*
0011-BF2Y-2J	009-005RP	007-007RP	0011-012RP	0011-010RP	
0011-BF2Y-J	009-005RP	007-007RP	0011-003RP	0011-010RP	
0011-BF3	009-005RP	007-007RP	009-018RP	0011-010RP	
0011-BF3Y	009-005RP	007-007RP	009-012RP	0011-010RP	
0011-BF3Y-J	009-005RP	007-007RP	009-012RP	0011-010RP	
0011-BF4	009-005RP	007-007RP	009-018RP	0011-010RP	
0011-BF4-1	009-005RP	007-007RP	009-018RP	0011-010RP	
0011-BF4A	009-005RP	007-007RP	0010-012RP	0011-010RP	
0011-BF4A-J	009-005RP	007-007RP	0010-012RP	0011-010RP	
0011-BF4-J	009-005RP	007-007RP	009-018RP	0011-010RP	
0011-BF4Y	009-005RP	007-007RP	0010-012RP	0011-010RP	
0011-BF4Y-1J	009-005RP	007-007RP	0010-012RP	0011-010RP	
0011-BF4Y-J	009-005RP	007-007RP	0010-012RP	0011-010RP	
0011-F1	009-005RP	007-007RP	0011-002RP	NA	
0011-F1Y	009-005RP	007-007RP	0011-003RP	NA	
0011-F1Y-J	NA	NA	NA	NA	
0011-F2	009-005RP	007-007RP	0011-002RP	0011-009RP	
0011-F2-1	009-005RP	007-007RP	0011-002RP	0011-009RP	
0011-F2-J	009-005RP	007-007RP	0011-002RP	0011-010RP	
0011-F2Y	009-005RP	007-007RP	0011-003RP	0011-009RP	
0011-F2Y-1	009-005RP	007-007RP	0011-003RP	0011-009RP	
0011-F3	009-005RP	007-007RP	009-018RP	0011-009RP	
0011-F3-1	009-005RP	007-007RP	009-018RP	0011-009RP	
0011-F4	009-005RP	007-007RP	009-018RP	0011-009RP	
0011-F4-1	NA	NA	NA	0011-014RP or 0011-009RP	
0011-F4A	009-005RP	007-007RP	0010-012RP	0011-009RP	
0011-F4R	009-005RP	007-007RP	0010-012RP	0011-009RP	
0011-F4Y	009-005RP	007-007RP	0010-012RP	0011-009RP	
0011-F4Y-1J	009-005RP	007-007RP	0010-012RP	0011-010RP	
0011-ZBF4	009-005RP	007-007RP	009-024RP*	0011-010RP	
0011-ZBF4-1	009-005RP	007-007RP	009-024RP*	0011-010RP	
0011-ZF3	009-005RP	007-007RP	009-024RP*	0011-009RP	
0011-ZF3-1	009-005RP	007-007RP	009-024RP*	0011-009RP	
0011-ZF4	009-005RP	007-007RP	009-024RP*	0011-009RP	
0011-ZF4-1	009-005RP	007-007RP	009-024RP*	0011-009RP	

0012

PUMP MODEL NUMBER	CASING O-RING	FLANGE GASKET SET	CAPACITOR OR PC BOARD*	CART. ASSY. COMPLETE	VALVE ASSY. TRANS/RELAY*
0012-BF1	0012-006RP	0012-020RP	0011-002RP	NA	
0012-BF1-1	0012-006RP	1600-169RP	0011-002RP	NA	
0012-BF1-1J	0012-006RP	1600-169RP	0011-002RP	NA	
0012-BF1-J	0012-006RP	0012-020RP	0011-002RP	NA	
0012-BF1Y	0012-006RP	0012-020RP	0011-003RP	NA	
0012-BF1Y-1	0012-006RP	1600-169RP	0011-003RP	NA	
0012-BF1Y-1J	0012-006RP	1600-169RP	0011-003RP	NA	
0012-BF1Y-J	0012-006RP	0012-020RP	0011-003RP	NA	
0012-BF2	0012-006RP	0012-020RP	0011-002RP	0012-012RP	
0012-BF2-1	0012-006RP	1600-169RP	0011-002RP	0012-012RP	
0012-BF2-1J	0012-006RP	1600-169RP	0011-002RP	0012-012RP	
0012-BF2A	0012-006RP	0012-020RP	0011-003RP	0012-012RP	
0012-BF2A-J	0012-006RP	0012-020RP	0011-003RP	0012-012RP	
0012-BF2A-JC	0012-006RP	0012-020RP	0011-003RP	0012-012RP	
0012-BF2-J	0012-006RP	0012-020RP	0011-002RP	0012-012RP	
0012-BF2Y	0012-006RP	0012-020RP	0011-003RP	0012-012RP	
0012-BF2Y-1	0012-006RP	1600-169RP	0011-003RP	0012-012RP	
0012-BF3	0012-006RP	0012-020RP	009-018RP	0012-012RP	
0012-BF4	0012-006RP	0012-020RP	009-018RP	0012-012RP	
0012-BF4-1	0012-006RP	1600-169RP	009-018RP	0012-012RP	
0012-BF4-1J	0012-006RP	1600-169RP	009-018RP	0012-012RP	
0012-BF4-2	0012-006RP	0012-020RP	009-018RP	0012-012RP	
0012-BF4-3	NA	NA	NA	0012-018RP or 0012-012RP	
0012-BF4A	0012-006RP	0012-020RP	009-012RP	0012-012RP	
0012-BF4A-JD	0012-006RP	0012-020RP	009-012RP	0012-012RP	
0012-BF4-J	0012-006RP	0012-020RP	009-018RP	0012-012RP	
0012-BF4V	0012-006RP	0012-020RP	009-012RP	0012-012RP	

0012 (Continued)

PUMP MODEL NUMBER	CASING O-RING	FLANGE GASKET SET	CAPACITOR OR PC BOARD*	CART. ASSY. COMPLETE	VALVE ASSY. TRANS/RELAY*
0012-F1	0012-006RP	0012-020RP	0011-002RP	NA	
0012-F1-1	0012-006RP	1600-169RP	0011-002RP	NA	
0012-F1Y	0012-006RP	0012-020RP	0011-003RP	NA	
0012-F1Y-1	0012-006RP	1600-169RP	0011-003RP	NA	
0012-F2	0012-006RP	0012-020RP	0011-002RP	0012-011RP	
0012-F2-1	0012-006RP	1600-169RP	0011-002RP	0012-011RP	
0012-F2Y	0012-006RP	0012-020RP	0011-003RP	0012-011RP	
0012-F2Y-1	0012-006RP	1600-169RP	0011-003RP	0012-011RP	
0012-F3	0012-006RP	0012-020RP	0009-018RP	0012-011RP	
0012-F4	0012-006RP	0012-020RP	0009-018RP	0012-011RP	
0012-F4-1	0012-006RP	1600-169RP	0009-018RP	0012-011RP	
0012-F4-2	NA	NA	NA	0012-019RP or 0012-011RP	
0012-F4A	0012-006RP	0012-020RP	0009-012RP	0012-011RP	
0012-ZBF4	0012-006RP	0012-002RP	0009-024RP*	0012-012RP	
0012-ZBF4-1	0012-006RP	0012-002RP	0009-024RP*	0012-012RP	
0012-ZBF4-2	0012-006RP	1600-169RP	0009-024RP*	0012-012RP	
0012-ZBF4-3	0012-006RP	1600-169RP	0009-024RP*	0012-012RP	
0012-ZF4	0012-006RP	0012-002RP	0009-024RP*	0012-011RP	
0012-ZF4-1	0012-006RP	0012-002RP	0009-024RP*	0012-011RP	
0012-ZF4-2	0012-006RP	1600-169RP	0009-024RP*	0012-011RP	
0012-ZF4-3	0012-006RP	1600-169RP	0009-024RP*	0012-011RP	

0013

PUMP MODEL NUMBER	CASING O-RING	FLANGE GASKET SET	CAPACITOR OR PC BOARD*	CART. ASSY. COMPLETE	VALVE ASSY. TRANS/RELAY*
0013-BF2	009-005RP	007-007RP	0013-004RP	0013-008RP	
0013-BF2Y	009-005RP	007-007RP	0013-003RP	0013-008RP	
0013-BF2Y-J	009-005RP	007-007RP	0013-003RP	0013-008RP	
0013-BF3	009-005RP	007-007RP	0013-004RP	0013-008RP	
0013-BF3-1	NA	NA	NA	0013-009RP or 0013-008RP	
0013-BF3A	009-005RP	007-007RP	0013-003RP	0013-008RP	
0013-BF3A-J	009-005RP	007-007RP	0013-003RP	0013-008RP	
0013-BF3-J	009-005RP	007-007RP	0013-004RP	0013-008RP	
0013-BF3Y	009-005RP	007-007RP	0013-003RP	0013-008RP	
0013-BF3Y-J	009-005RP	007-007RP	0013-003RP	0013-008RP	
0013-F2	009-005RP	007-007RP	0013-004RP	0013-007RP	
0013-F2Y	009-005RP	007-007RP	0013-003RP	0013-007RP	
0013-F3	009-005RP	007-007RP	0013-004RP	0013-007RP	
0013-F3-1	NA	NA	NA	0013-010RP or 0013-007RP	
0013-F3A	009-005RP	007-007RP	0013-003RP	0013-007RP	
0013-F3Y	009-005RP	007-007RP	0013-003RP	0013-007RP	
0013-G1Y-1JR	009-005RP	NA	0010-012RP	0011-010RP	
0013-G1Y-1JS	009-005RP	NA	0010-012RP	0011-010RP	
0013-G1Y-JR	009-005RP	NA	0011-003RP	0013-012RP	
0013-G1Y-JS	009-005RP	NA	0011-003RP	0013-012RP	

0014

PUMP MODEL NUMBER	CASING O-RING	FLANGE GASKET SET	CAPACITOR OR PC BOARD*	CART. ASSY. COMPLETE	VALVE ASSY. TRANS/RELAY*
0014-BF1	009-005RP	007-007RP	009-018RP	0014-003RP	
0014-BF1-1	NA	NA	NA	0014-005RP or 0014-003RP	
0014-F1	009-005RP	007-007RP	009-018RP	0014-004RP	
0014-F1-1	NA	NA	NA	0014-006RP or 0014-004RP	
0014-F1Y	009-005RP	007-007RP	009-018RP	0014-004RP	
0014-ZBF1	009-005RP	007-007RP	009-024RP	0014-003RP	
0014-ZBF1-1	009-005RP	007-007RP	009-024RP	0014-003RP	
0014-ZF1	009-005RP	007-007RP	009-024RP	0014-004RP	
0014-ZF1-1	009-005RP	007-007RP	009-024RP	0014-004RP	

Do it Once. Do it Right.

TACO, INC., 1160 Cranston Street, Cranston, RI 02920 Telephone: (401) 942-8000 FAX: (401) 942-2360.
TACO (Canada), Ltd., 6180 Ordan Drive, Mississauga, Ontario L5T 2B3. Telephone: 905/564-9422. FAX: 905/564-9436.

Visit our web site at: <http://www.taco-hvac.com>

Printed in USA

Copyright 2001

TACO, Inc.