

Little GIANT[®]

GKPK-SC SERIES



Features

- 5 gallon polyethylene tank
- 2-MD-SC magnetic drive pump
- Tubing included
- 6' power cord
- 14.6' maximum head
- 109 watts
- 1/2" O.D. intake & discharge
- Hose clamps and adapters included
- Used to "boil out" or flush coils in many applications

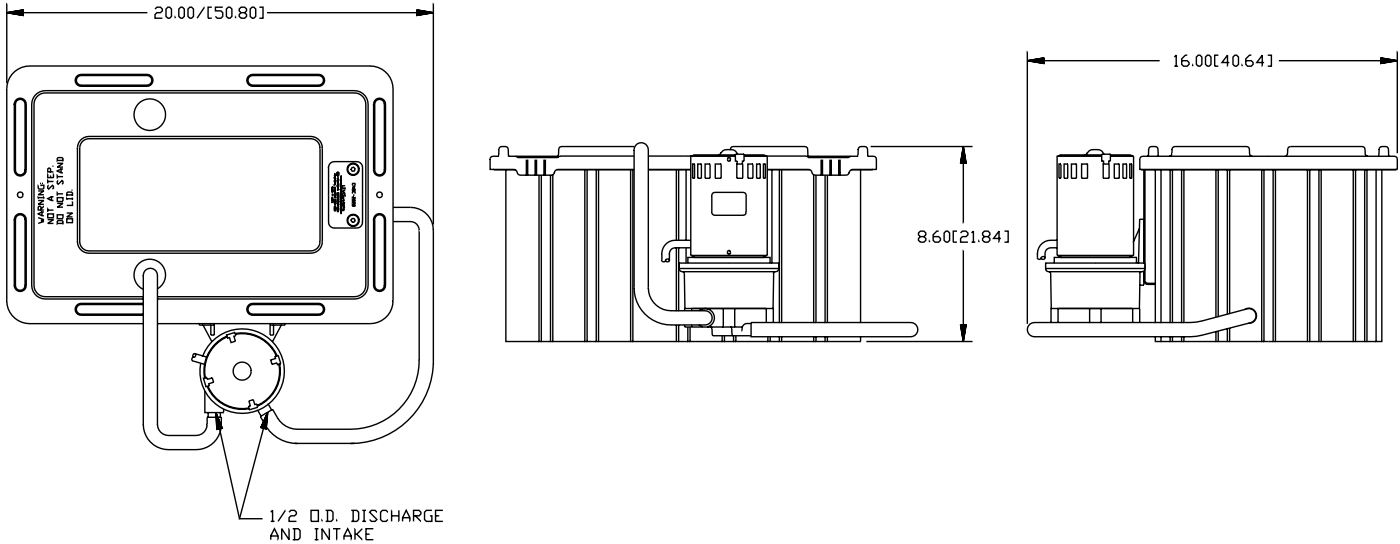
Construction

- Motor — 1/30 HP
- Intermittent Liquid Temp. up to — 150°F
- Intake — 1/2" O.D.
- Discharge — 1/2" O.D.
- Housing — Polypropylene
- Cover — Polypropylene
- Volute — Polypropylene
- Impeller — Polypropylene



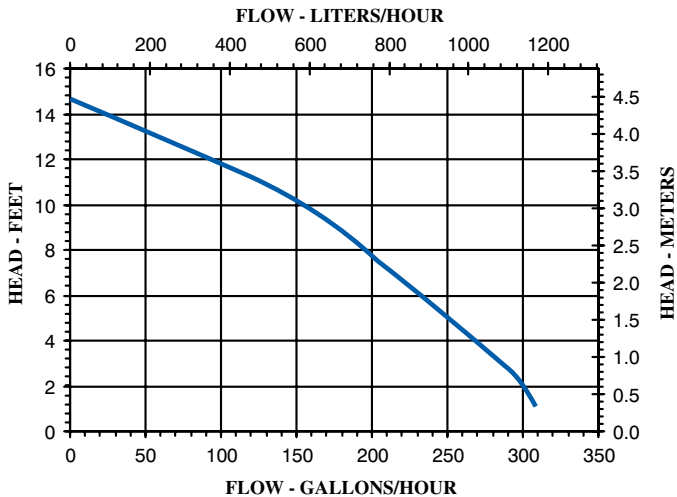
The GKPK-SC is a complete kit for inexpensive and effective cleaning, deliming and descaling of coils. The 5 gallon tank and baffle are constructed of rugged polyethylene. The 2-MD-SC pump included has a polypropylene pump head with ceramic shaft and thrust washers to handle the mild acids used in coil cleaning. All parts of the kit that come in contact with the coil cleaning solution are acid resistant. A 10' and 18" length of tubing, hose clamps and a packet of adapters are included in the kit. Applications include: water heaters, steam converters, shell & tube heat exchangers, sea water applications, air conditioning coil and outboard motor flushings. Use coil cleaning compounds compatible with materials of kit construction.

GKPK-SC SERIES



Specifications

Model No.	Item No.	Discharge Size	Intake Size	Listings	HP	Volts	Hertz	Amps	Watts	Performance (GPH@Head)				Shutoff		Cord Length (ft.)	Weight (lbs.)
										1'	3'	6'	9'	Ft.	P.S.I.		
GKPK-SC	562660	1/2" O.D.	1/2" O.D.	UR/C-CSA	1/30	115	60	1.4	109	510	465	410	330	14.6	6.3	6	11.00



Replacement Parts

Pump	580523
Tank Cover	162125
Baffle	162116
Mounting Bracket	162141
Tubing 1/2" x 18"	944222
Tubing 1/2" x 10'	944213
Filter	162190