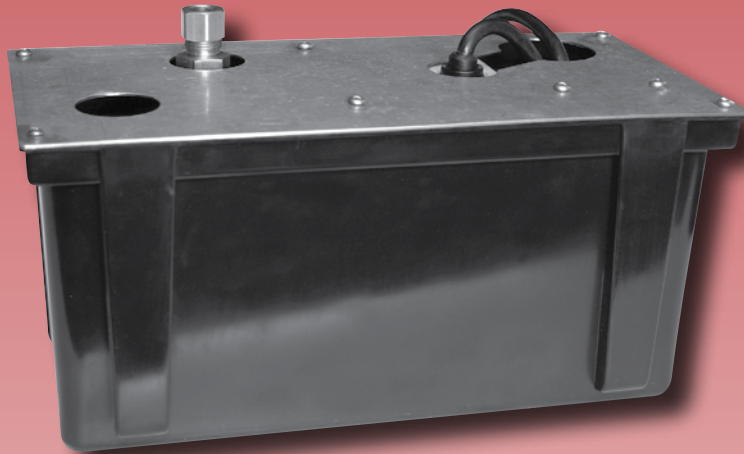


3-ABS Series



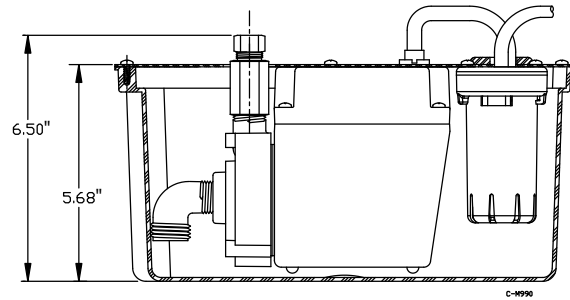
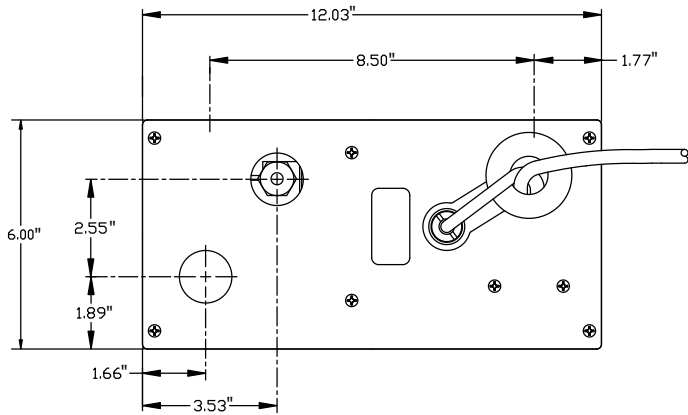
Applications

- Ideal for condensate removal

Features

- Permanently lubricated
- Epoxy coated cast aluminum housing
- Automatic, in-pan design
- Advanced non-mercury mechanical switch
- On level: 4.5", Off level: 3.5"
- Includes 1 gallon ABS plastic tank
- 1/2" MNPT discharge with check valve for 1/2" OD rigid-plastic or copper tubing
- 26' maximum lift

Dimensional Outlines



Specifications

Item #	Model	Dis-charge	HP	Volts	Hertz	Amps	Watts	Performance (GPH @ Head)					Shut Off	PSI	Power Cord	Weight
								1'	3'	5'	10'	20'				
3-ABS	551320	1/2"	1/12	115	60	3.5	210	310	290	280	250	110	26'	11.2	9'	12
3-ABS	551330	1/2"	1/12	230	50/60	1.8/1.6	210	310	290	280	250	110	26'	11.2	11'	12

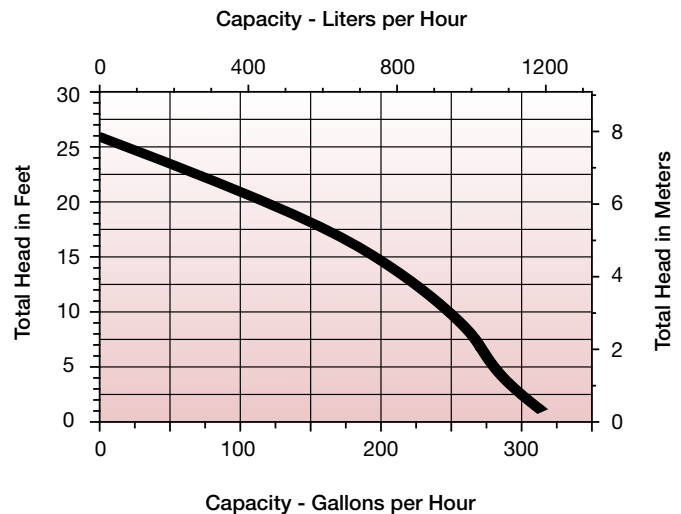
Construction

Motor: 1/12 HP
Liquid Temperature: Up to 120° F
Intake: N/A
Discharge: 1/2" MNPT
Housing: Epoxy coated cast aluminum
Cover: Epoxy coated cast aluminum
Volute: Nylon
Impeller: Nylon
Shaft Seal: Nitrile
Screen: Polyethylene

Replacement Parts

Tank: 153502
Cover: 151410
Check Valve: 940003
Volute: 103376
Impeller: 104435
Gasket: 103601

Performance Data



115V, 60Hz



P.O. Box 12010
 Oklahoma City, OK 73157-2010
 Phone: 1.800.701.7894
 Fax: 1.800.678.7867
 www.LittleGiantPump.com

©2008 Franklin Electric Co., Inc.
 Little Giant® is a registered trademark of Franklin Electric Co., Inc.
 Form 995465 7/09

Little GIANT®
Pumps. People. Partnerships.