

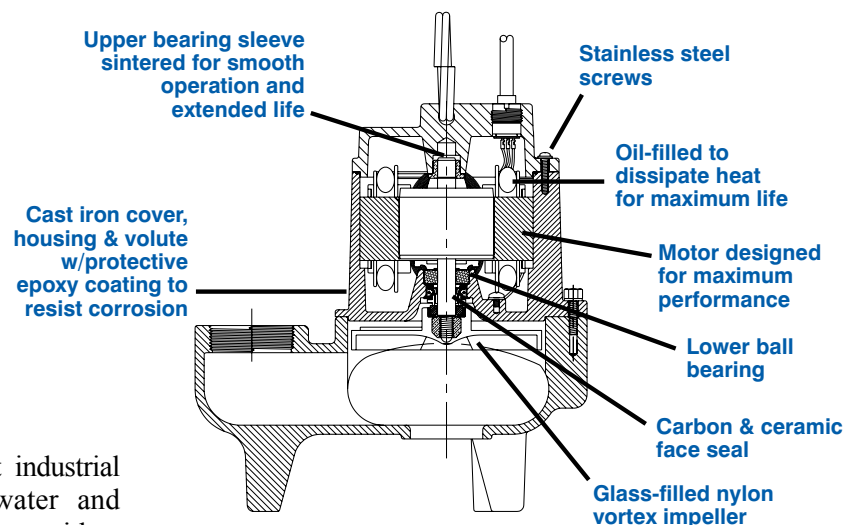
Little GIANT®

9S SERIES



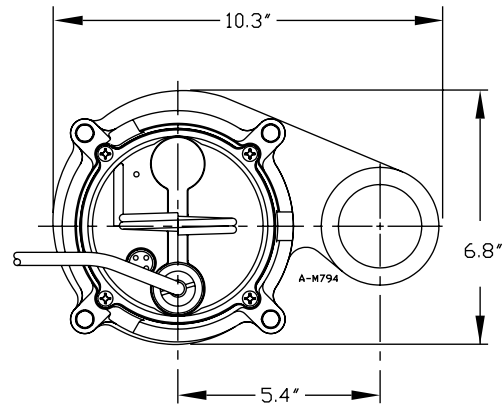
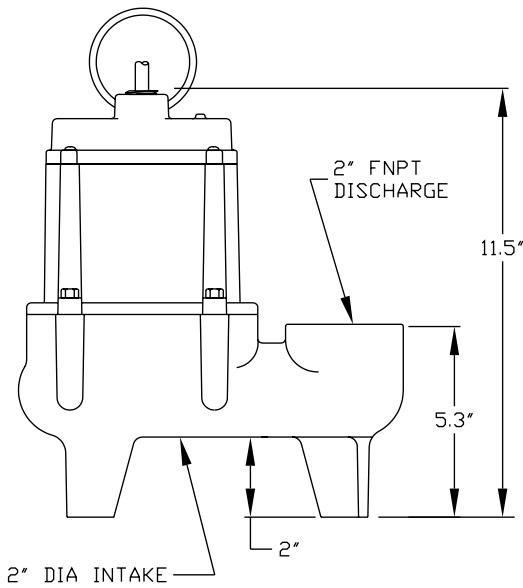
Features

- Handles liquids and solid waste materials up to 2" diameter
- Cast iron pump housing and cover with protective epoxy coating for corrosion resistance
- Oil-filled motor housing for lifetime lubrication and rapid heat dissipation
- Stainless steel fasteners
- Mechanical seals (stainless steel spring, nitrile parts, carbon and ceramic faces)
- Thermal overload protection
- Manual and Automatic models available
- Automatic operation has 9" to 14" "On" level and 2" to 6" "Off" level range with piggyback mechanical float switch
- All 115 volt models are UL/CSA listed



For residential, medium commercial and light industrial applications, the Model 9S Series Wastewater and Sewage Ejector pumps feature a 2" discharge, with a maximum lift of 18'. Cast iron housing, cover and volute have a protective epoxy coating.

9S SERIES

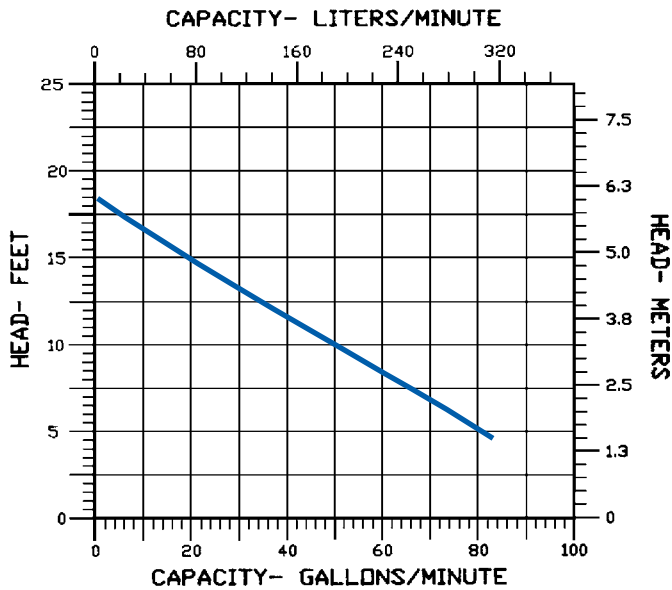


Specifications

Model No.	Item No.	Listing	HP	Volts	Solids Size (dia. in.)	Running Amps/Watts	Performance (GPM@Head)				Shutoff		Cord Length (ft.)	Weight (lbs.)	Dimensions H x L x W (in.)
							5'	10'	15'	20'	Ft.	P.S.I.			
9S-CIM	509400	UL/CSA	4/10	115	2"	13/1020	80	50	16	—	18	7.8	15	36	11.6 x 10.3 x 6.8
9S-CIA-RFS	509500	UL/CSA	4/10	115	2"	13/1020	80	50	16	—	18	7.8	15	36	11.6 x 10.3 x 6.8
9S-CIM	509450	—	4/10	230	2"	6.5/1020	80	50	16	—	18	7.8	15†	36	11.6 x 10.3 x 6.8
9S-CIA-RFS	509520	UL/CSA	4/10	115	2"	13/1020	80	50	16	—	18	7.8	20	37	11.6 x 10.3 x 6.8
9S-CIA-RFS*	509510	UL/CSA	4/10	115	2"	13/1020	80	50	16	—	18	7.8	15	37	11.6 x 10.3 x 6.8
9S-CIM*	14940723	UL/CSA	4/10	115	2"	13/1020	80	50	16	—	18	7.8	15	37	11.6 x 10.3 x 6.8
9S-CIM*	14940724	—	4/10	230	2"	6.5/1020	80	50	16	—	18	7.8	15†	37	11.6 x 10.3 x 6.8

*3" discharge RFS - Piggyback Mechanical Float Switch

†tw/out plug



Construction

Cover	Epoxy-coated cast iron
Motor Housing	Epoxy-coated cast iron
Impeller Material	Nylon
Impeller Type	Vortex
Volute	Epoxy-coated cast iron
Power Cord	SJTW
Mechanical Shaft Seal	Nitrile with carbon and ceramic faces
Fasteners	Stainless steel
Shaft	Steel
Bearings	Upper sintered sleeve and lower ball bearing