

BASIN PACKAGE SYSTEMS

INTRODUCTION

These instructions are for the typical installation of a Little Giant Basin Package System. This package system includes a rugged polyethylene or fiberglass basin, a guide rail system for easy access to the pump, a junction box for wire connections and three preset weighted mechanical float switches. The basin comes with preset 1-1/4" slip fittings for the discharge of the pump and for plumbing the conduit to use on the electrical connections to the junction box (see Figure 1). The inlet to the basin is to be field installed (see Figures 1 and 2) and uses a 4" Adapt-A-Flex fitting. This fitting is constructed from neoprene plastic, is easy to install and requires no sealants. This design has boltless vapor and water leakproof sealing ability.

BASIN INSTALLATION INSTRUCTIONS (see Figure 3)

1. Inspect all materials supplied by and/or installed by Little Giant to assure there is no damages due to shipping prior to installation.
2. Excavate hole large enough to accommodate basin, usually 12"-18" larger than the diameter of the basin, and 4"-6" deeper than the basin depth. Also, hole should be able to accommodate underground piping, backfill material and adequate working space.
3. Prepare the bottom of the excavated hole with 4"-6" of backfill material or concrete pad. Check base to ensure it is level and smooth.
4. Install basin on gravel base or concrete pad. Anchor down if necessary. Basin to be installed only in vertical position. Basin to be installed only in vertical position.
5. Concrete may be poured around basin bottom if ballast is required for buoyancy.
6. Plumb all inlet and discharge piping as well as the electrical piping for internal junction box. Inlet pipe is recommended to be 4" Schedule 40 PVC to accommodate 4" Adapt-A-Flex fitting (see Figure 2 and step 5 for installation tips). Discharge piping for the pump and electrical cords is recommended to be either Schedule 40 or 80 1-1/4" PVC piping, depending on local codes and installer recommendation (see Figure 1). Basin is to be vented per local plumbing codes.
7. Backfill with pea gravel 4" to 6" around the entire periphery of the basin. Compact backfill material in 12" lifts. Stop and connect piping as required. If using concrete as backfill on poly-basin, the basin should be filled with water to provide support and stabilization.

RECOMMENDED BACKFILL MATERIAL

Gravel or stone to be free flowing, naturally round aggregate with a particle size of not less than 1/8" and not greater than 3/4" in diameter.

CAUTION: Do not bury basin deeper than basin height.

CAUTION: In freezing conditions backfill material must be dry and free of ice.

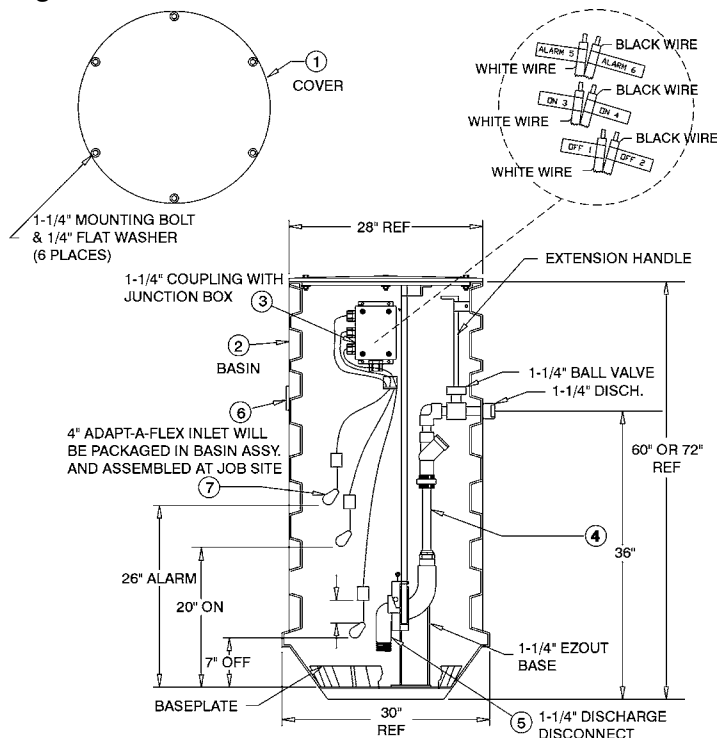
ATTACHING DISCONNECT TO PUMP (see Figure 4)

1. Remove close quarter elbow from sealing plate. Three cap screws hold the elbow to sealing plate.
2. Thread elbow into the discharge of the pump volute .
3. Bolt sealing plate back to close quarter elbow.
4. If applicable, loosen set screw above nipple of close quarter elbow and adjust position of the disconnect to point opposite of pump.
5. Set lifting chain bail with (1) end on guide plate eye bolt and the other end on pump lifting ring or lifting eye.

INSTALLING PUMP AND DISCONNECT (see Figure 5)

1. Attach the lifting chain to the bail with clevis.
2. Slide clevis along bail until the center of gravity is found.
3. Position pump so the guide rails are located in the slots of the guide plate.
4. Slowly lower the pump down the guide rails to the base.
5. Pump and disconnect assembly should slide down the guide rails until the locating pins (horizontal pins) on the sealing plate come to seat in the inclined surface on the base arms.

Figure 1.



ITEM NO.	DESCRIPTION	LG/PN	520816	520817	520818	520819
1	Cover, 24", Fiberglass	113529	•	•		
1	Cover, 24", Poly	113530			•	•
2	Basin, 24" x 60" Fiberglass	113526	•			
2	Basin, 24" x 72" Fiberglass	113525		•		
2	Basin, 24" x 60" Poly	113528			•	
2	Basin, 24" x 72" Poly	113527				•
3	Box, Junction	113531	•	•	•	•
4	EZ-2125, 60" Basin	113534	•		•	
4	EZ-2125, 72" Basin	113535		•		•
5	Disconnect, Discharge	113532	•	•	•	•
6	Flange, 4", Adapt-A-Flex	113417	•	•	•	•
7	Float, Control (3)	950266	•	•	•	•
8	PL-PVC Connections	113538	•	•	•	•

WIRING OF INTERNAL JUNCTION BOX

(see Figure 1)

1. Use phillips head screw driver to loosen screws (4) in junction box.
2. Open door and the junction box will have 3 sets of labeled wires for the preset and prehung control switches. These wires will be labeled for the off switch, the on switch and the alarm switch and will be entering the junction box through (3) three separate watertight cord grips.
3. A cord grip for the pump power cord is also installed. This cord grip is for use with 12 gage 4 conductor power cables.
4. All wiring connections coming from the pump and/or to the control panels should be made in this junction box in accordance with national, state, local and NEC codes where applicable.

NOTE: If using a Little Giant grinder pump and control panel in combination with this basin package system, then refer to wir-

ing section of the Little Giant control panel instruction sheet for additional details on wiring pump and panel in conjunction with junction box in this basin. If using pump and control panel other than from Little Giant, refer to the appropriate section of the pump and/or control panel instruction sheet(s) for completion of the wiring of components.

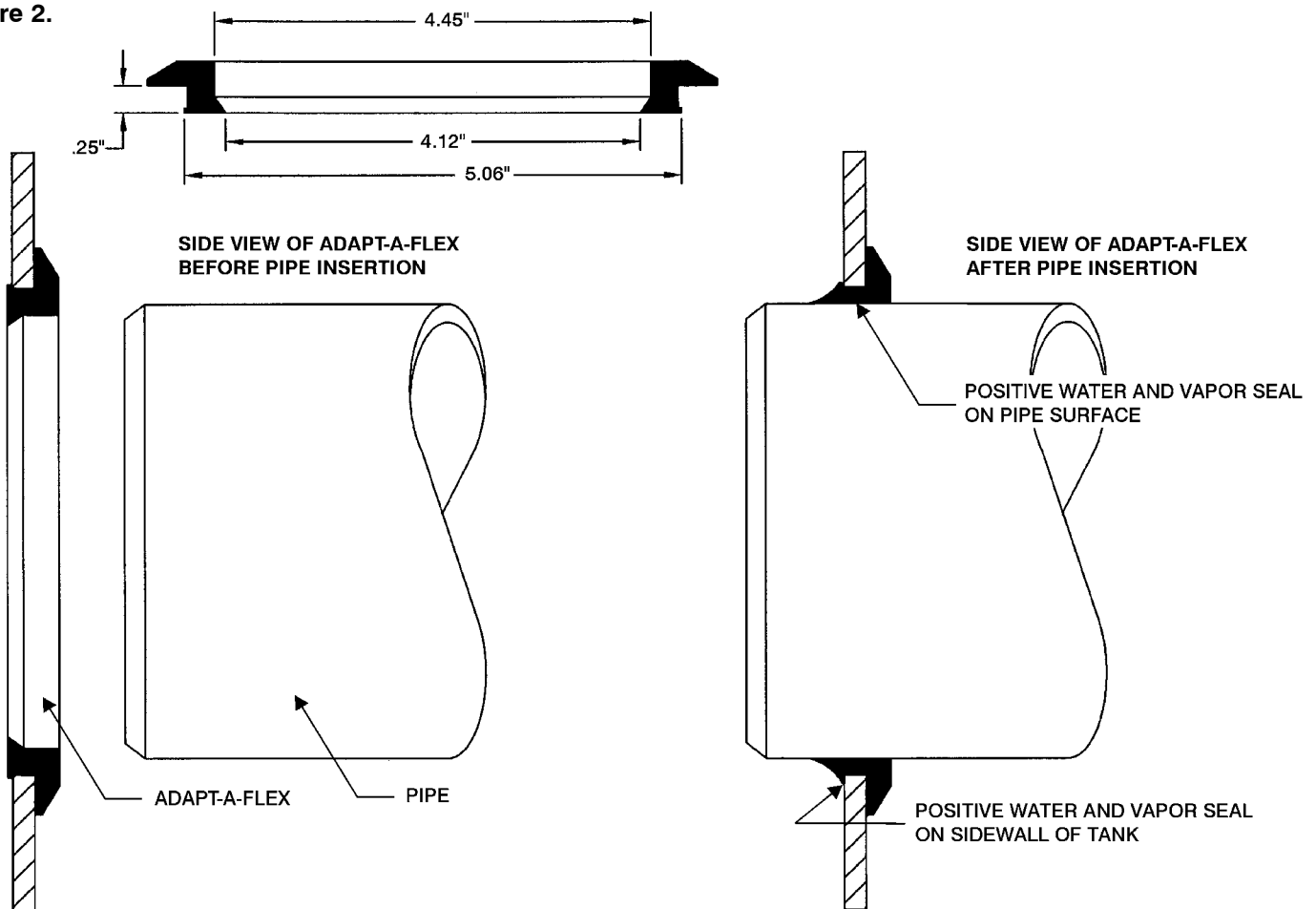
ADAPT-A-FLEX INSTALLATION INSTRUCTIONS

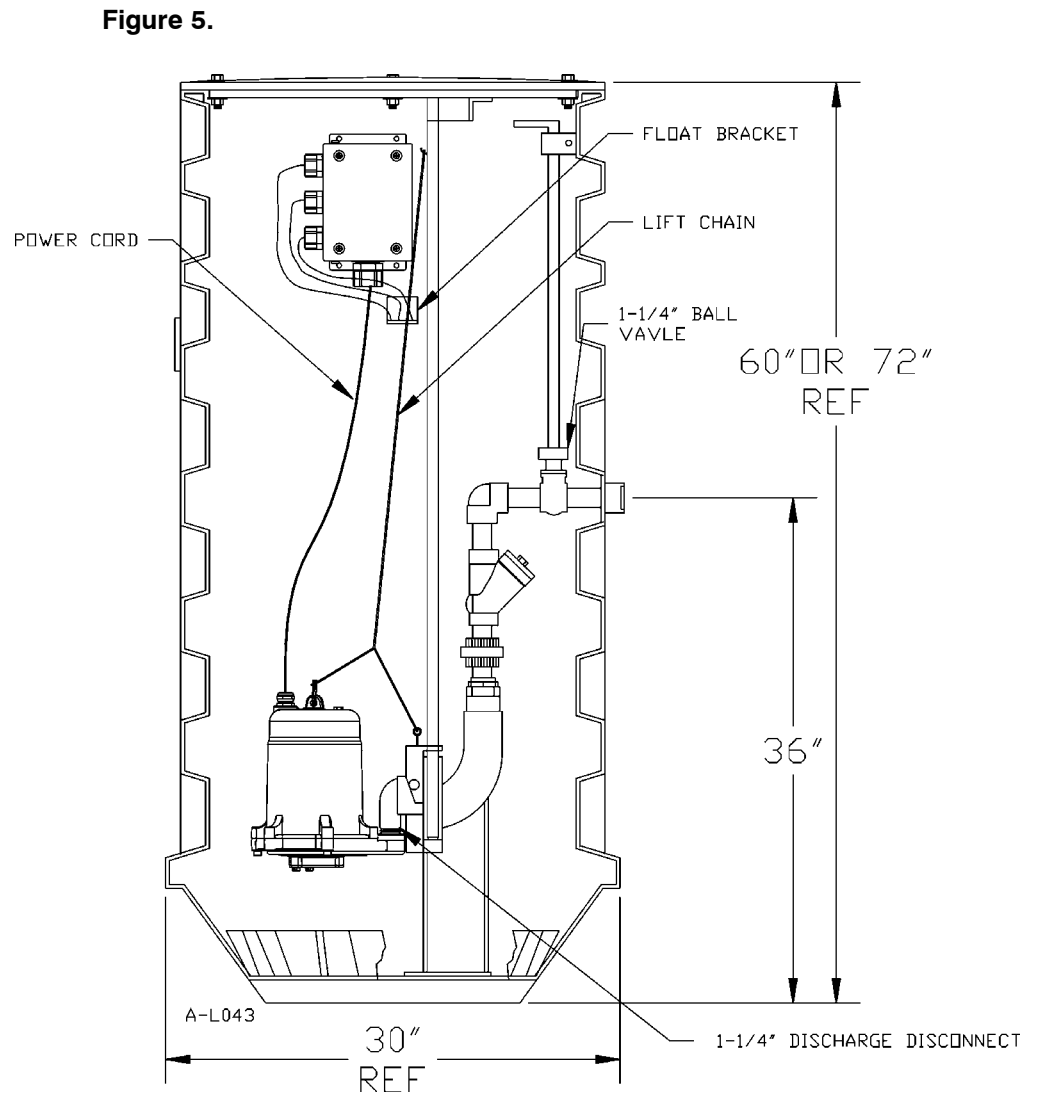
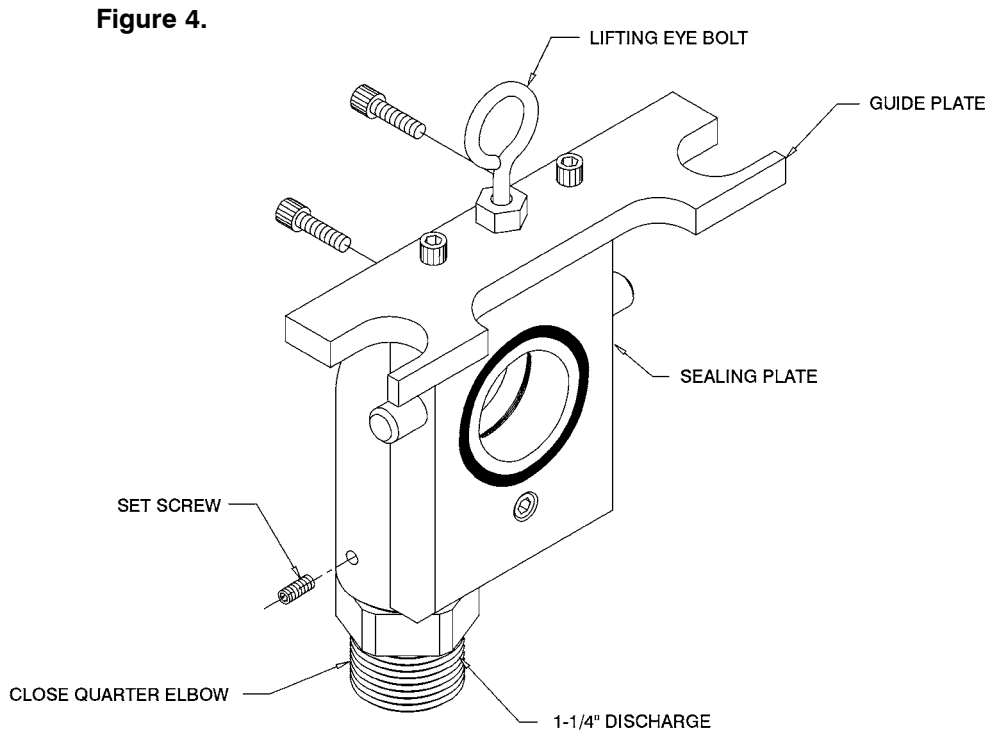
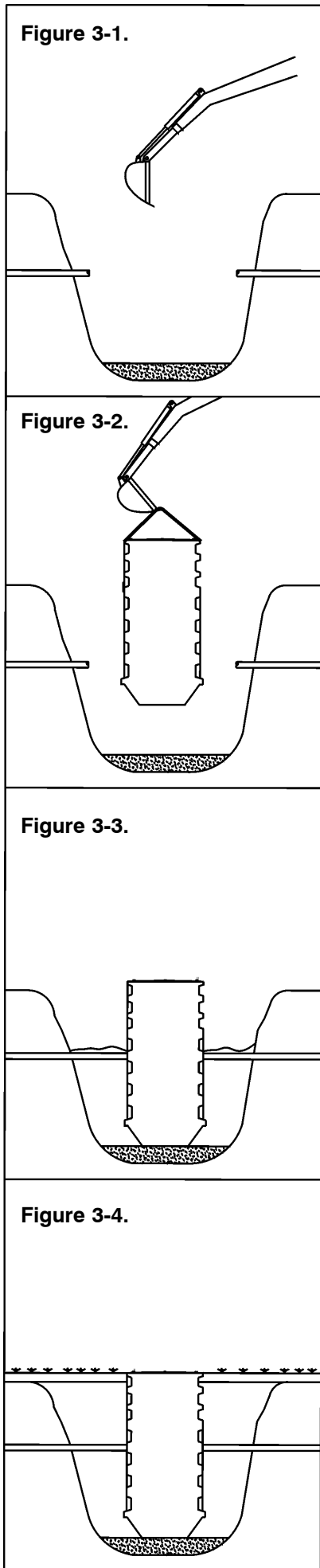
(see Figure 2)

Adapt-A-Flex fittings are constructed from neoprene plastic, are easy to install and require no sealants. The Adapt-A-Flex design has boltless and water leakproof sealing ability.

1. Using a 5.0" hole saw, cut an opening in tank sidewall and seat Adapt-A-Flex fitting as shown.
2. For ease of installation chamfer ends of pipe before inserting through the Adapt-A-Flex.
3. Lubricate pipe with soapy water and insert as shown.

Figure 2.





LIMITED WARRANTY

Little Giant Basin Systems are suitable for housing residential sewage and other non-explosive, non-corrosive, non-abrasive liquids not above 140°F.

Your Little Giant product is guaranteed to be in perfect condition when it leaves our Factory. It is warranted against defective materials and workmanship for a period of 12 months (90 day warranty on Models: 1-AA-OM, GKPK-SC, PP-1, PP-12, PPS-12, PP-230 and Cooler King) from date of purchase by the user. No warranty on brush wear in Model 35-OM and impeller or cam in Models PP-1, PP-12, and PP-230.

Any product that should fail for either of the above two reasons and is still within the warranty period will be repaired or replaced at the option of Little Giant as the sole remedy of buyer. For our customers in the CONTINENTAL UNITED STATES: Please return the defective unit, postage paid, to the factory at 301 N. MacArthur, Oklahoma City, OK 73127-6616. All defective product returned under warranty will be fully inspected to determine the cause of failure before warranty is approved.

For our customers located elsewhere; it is not economical, due to duties and freight, to return the pump to the factory for inspection. Please return the defective unit to any authorized distributor or dealer with a brief written explanation of the problem. If there are no apparent signs of customer abuse, unit will be repaired or replaced. If dispute arises over replacement of the pump, the distributor or dealer is to segregate such items and hold for inspection by a representative of Little Giant Pump Company or notify factory with details of the problem for factory disposition and settlement of warranty claim.

DISCLAIMER: THE FOREGOING WARRANTY IS AN EXCLUSIVE WARRANTY IN LIEU OF ANY OTHER EXPRESS WARRANTIES. ANY IMPLIED WARRANTIES (INCLUDING, BUT NOT LIMITED TO ANY IMPLIED WARRANTY OF MERCHANTABILITY OR FITNESS FOR A PARTICULAR PURPOSE) TO THE EXTENT EITHER APPLIES TO A PUMP SHALL BE LIMITED IN DURATION TO THE PERIODS OF THE EXPRESS WARRANTIES GIVEN ABOVE.

Warranty will be **VOID** if any of the following conditions are found:

1. Sealed motor housing opened;
2. Product connected to voltage other than indicated on nameplate
3. Cord cut off to a length less than three feet
4. Pump allowed to operate dry (fluid supply cut off)
5. Pump used to circulate anything other than fresh water, light oils, or other mild liquids at approximately room temperature
6. Product abuse by customer

Any oral statements about the product made by the seller, the manufacturer, the representatives or any other parties, do not constitute warranties, shall not be relied upon by the user and are not part of the contract for sale. Seller's and manufacturer's only obligation, and buyer's only remedy, shall be the replacement and/ or repair by the manufacturer of the product as described above. **NEITHER SELLER NOR THE MANUFACTURER SHALL BE LIABLE FOR ANY INJURY, LOSS OR DAMAGE, DIRECT, INCIDENTAL OR CONSEQUENTIAL (INCLUDING, BUT NOT LIMITED TO INCIDENTAL OR CONSEQUENTIAL DAMAGES FOR LOST PROFITS, LOST SALES, INJURY TO PERSON OR PROPERTY, OR ANY OTHER INCIDENTAL OR CONSEQUENTIAL LOSS), ARISING OUT OF THE USE OR THE INABILITY TO USE THE PRODUCT AND THE USER AGREES THAT NO OTHER REMEDY SHALL BE AVAILABLE TO IT.** Before using, the user shall determine the suitability of the product for the intended use, and user assumes all risk and liability whatsoever in connection therewith.

Some states and countries do not allow limitations on how long an implied warranty lasts or the exclusion or limitation of incidental or consequential damages, so the above limitations or exclusions may not apply to you. This warranty gives you specific legal rights, and you may also have other rights which vary from state to state and country to country.

The National Electric Code (in the USA) and similar codes in other countries require a Ground Fault Circuit Interrupter (GFCI) to be installed in the branch circuit supplying fountain equipment rated above 15 volts. 115 volt GFCI's (with various cord lengths) are in stock, and we recommend each pump be used with a GFCI.

For Parts or Repair, please contact 1.888.572.9933
For Technical Assistance, please contact 1.888.956.0000

www.LittleGiant.com
customerservice@lgpc.com