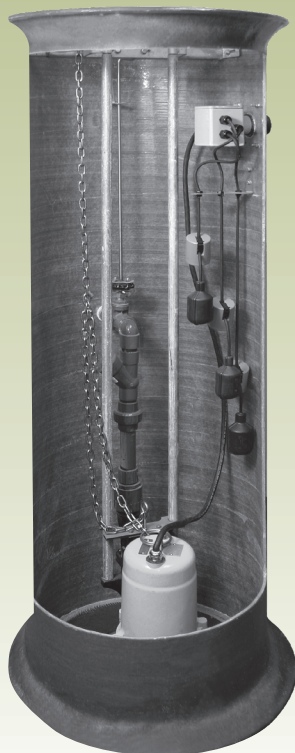


Wastewater

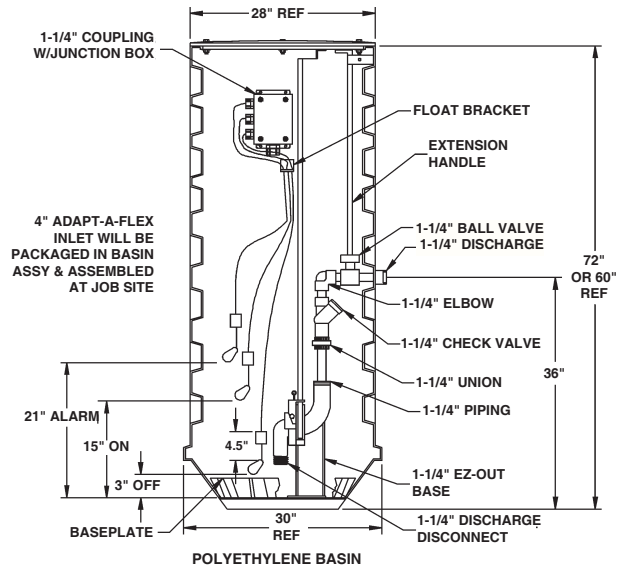
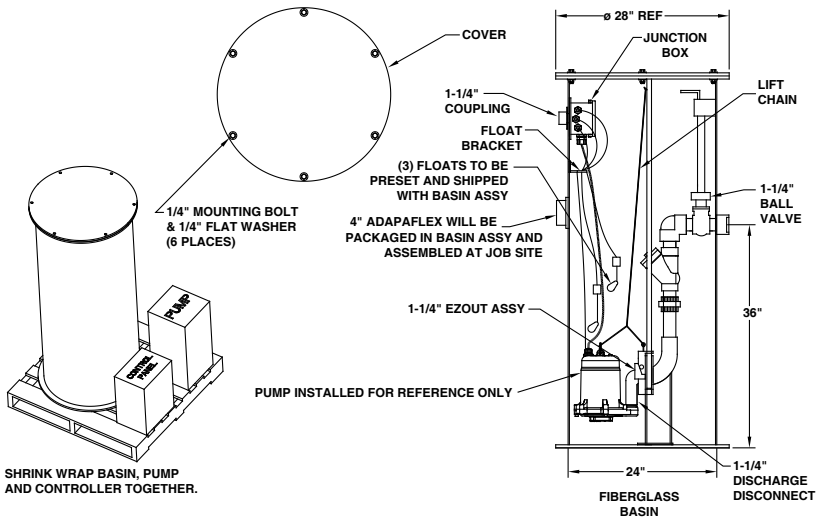
QTI Package System



Features

- 2 HP GP Series sewage grinder pump
- Check valve
- Control panel
- Pre-set control float switches
- Stainless Steel float bracket
- Junction box
- Basin and cover
- 4" Adapt-a-flex inlet
- Basins are available in either structurally reinforced super tough polyethylene or heavy-duty fiberglass material. Simplex basins are 24" diameter, and are available in 60" and 72" depths.
- EZ-out rail system with sealing flange, discharge pipe disconnect, stainless steel guide rails, lifting chain, ball check valve and shut-off valve (ball valve on poly versions, gate valve on fiberglass versions).
- Easy-to-follow installation instructions

Dimensional Outline



Specifications

Item No	Model No	Pump Voltage	Basin Size (diameter x depth)	Basin Description	Basin Construction
520820	GP-SMPX-K	208V	24" x 60"	BS2460FG	Fiberglass
520816	GP-SMPX-K	230V	24" x 60"	BS2460FG	Fiberglass
520821	GP-SMPX-K	208V	24" x 72"	BS2472FG	Fiberglass
520817	GP-SMPX-K	230V	24" x 72"	BS2472FG	Fiberglass
520822	GP-SMPX-K	208V	24" x 60"	BS2460PB	Polyethylene
520818	GP-SMPX-K	230V	24" x 60"	BS2460PB	Polyethylene
520823	GP-SMPX-K	208V	24" x 72"	BS2472PB	Polyethylene
520819	GP-SMPX-K	230V	24" x 72"	BS2472PB	Polyethylene

Basin Specifications

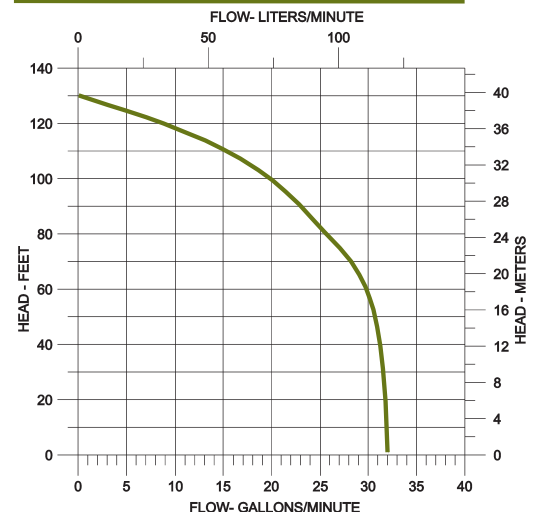
Item No	Model No	Construction	Size
513140	BS2460FG-K	Fiberglass	24" x 60"
513141	BS2472FG-K	Fiberglass	24" x 72"
513142	BS2460PB-K	Polyethylene	24" x 60"
513143	BS2472PB-K	Polyethylene	24" x 72"

QTI Basin/Cover Assemblies

(does not include pump or panel)

QTI Basin/Cover Assemblies are pre-assembled with EZ-out rail system with sealing flange, discharge pipe disconnect, three pre-set control float switches, stainless steel float bracket, stainless steel guide rails, lifting chain, junction box, shut-off valve (ball valve on poly models, gate valve on fiberglass models) and ball check valve.

Performance Curve



P.O. Box 12010
 Oklahoma City, OK 73157-2010
 Phone: 1.800.701.7894
 Fax: 1.800.678.7867
 www.LittleGiantPump.com