

Wastewater

GP Series - Automatic



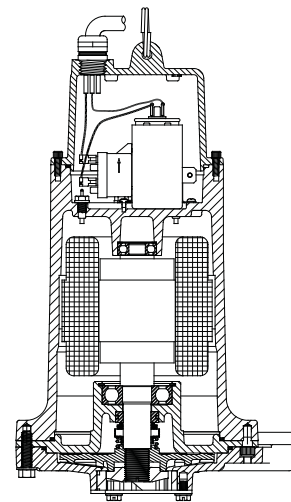
(U.S. Patent No. 7,237,736)

Applications

- Residential sewage waste transfer where high-head conditions exist

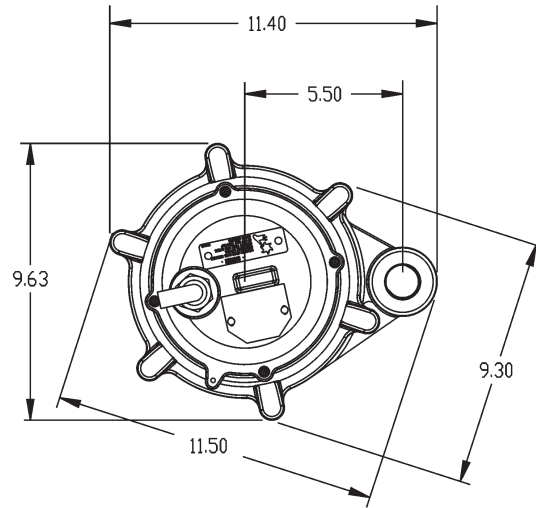
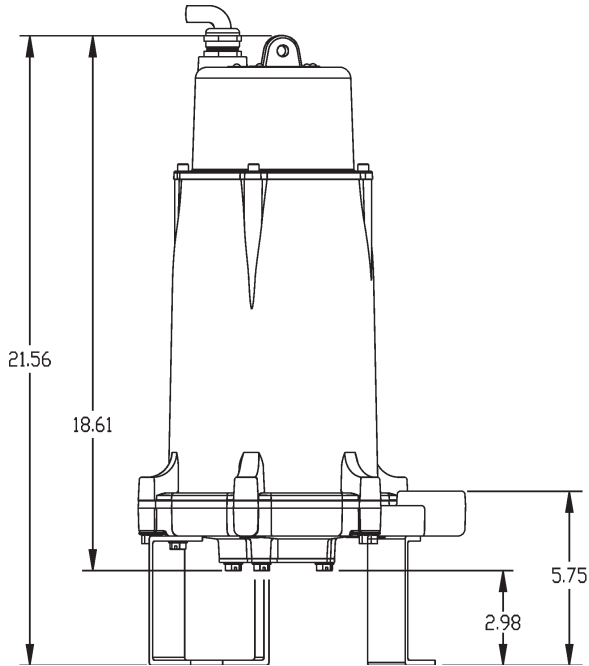
Features

- Powerful 2HP, 3450 RPM motor to handle the demands of grinding domestic sewage
- Mechanical float switch for automatic operation
- Start/Run components encased in oil-free chamber — requires no control panel
- Mechanical seal: carbon/ceramic
- Short motor shaft reduces deflection
- Corrosion resistant brass impeller
- Seven-vane, angled face, non-clogging impeller
- Tight cutting clearances for superior cutting action, grinding 414,000 cuts per minute
- Epoxy coated finish for corrosion resistance and durability
- Built-in overload protection prevents over-current and over-temperature damage
- GLK - Grinder Leg Kit included



Little GIANT
Pumps. People. Partnerships.

Engineering Data



Leg Kit (Included)
GLK — Item No. 599078

Specifications

Model No.	Item No.	Listing	HP	Volts	Hz	Full Load Amps/Watts	Performance (GPM@Head)						Shutoff	P. S.I.	Weight (lb.)
							20'	40'	60'	80'	100'	120'			
GP-A231-20	520875	UL/CSA	2	230	60	13.9/3200	32	31	30	25	20	10	130'	56	104
GP-A201-20	520885	UL/CSA	2	208	60	13.9/3200	32	31	30	25	20	10	130'	56	104

Construction

Motor Cover	Cast iron with epoxy coating
Motor Cover O-Ring	Nitrile
Motor Design	Single phase, capacitor start, capacitor run
Insulation Class	F
Overload Protection	Internal, on winding thermal protector
Motor Shaft	AISI 300 series stainless steel
Ball Bearing-Upper	Single row ball, 6203
Ball Bearing-Lower	Single row ball, 6306
Seal Housing	Cast iron with epoxy coating
Mechanical Seal	Carbon/ceramic
Volute	Cast iron with epoxy coating
Impeller	Brass
Rotating Cutter	2 blade design, AISI 440C stainless steel, through hardened to Rockwell 55-60C
Stationary Cutter	AISI 440C stainless steel, hardened to Rockwell 55-60C
External Hardware	300 series stainless steel
Power Cable	Type SOOW/or SOW 14/3 AWG

Performance Data

