

Little GIANT®

8E-CIA-VDS

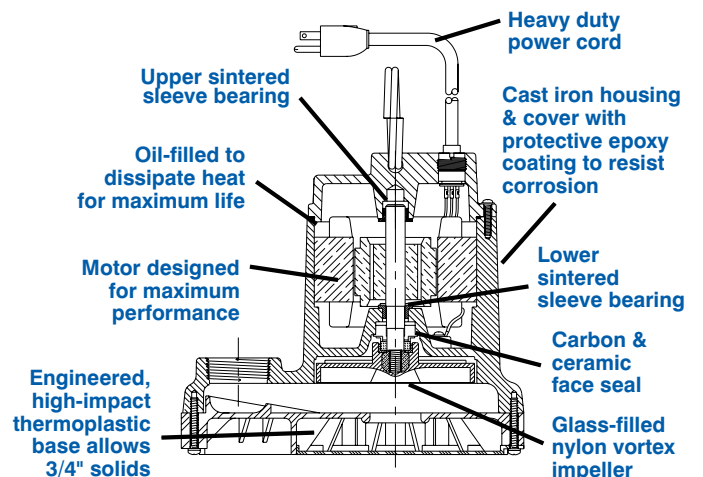


Features

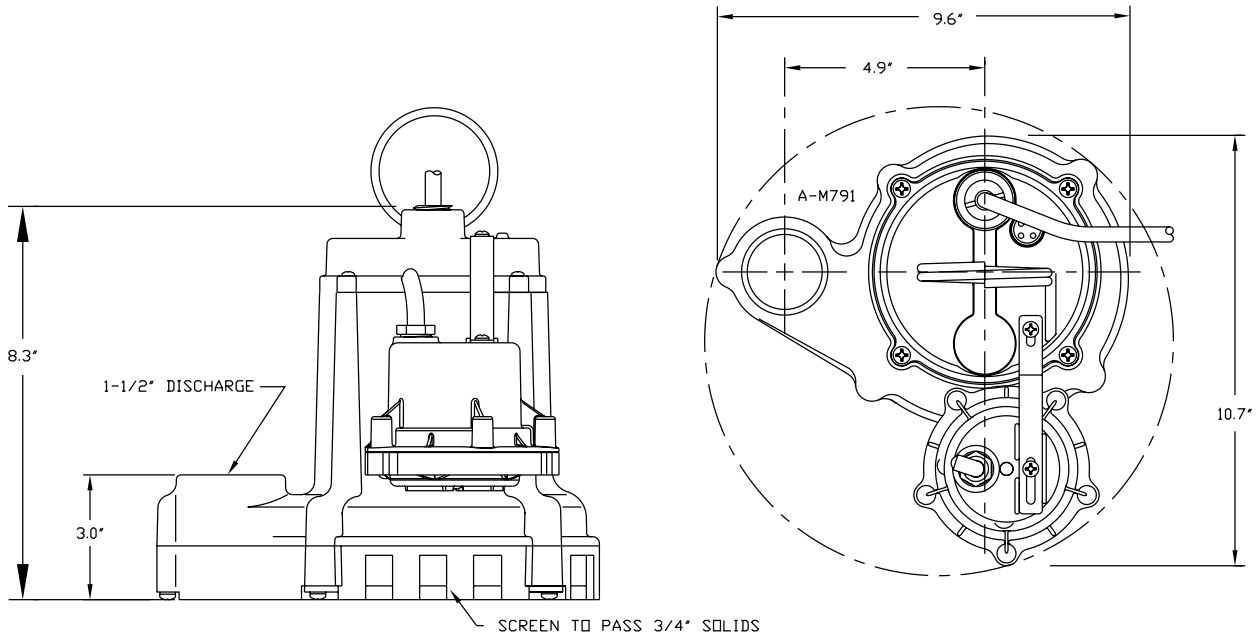
- Handles liquids and solid waste materials up to 3/4" diameter.
- Cast iron pump housing and cover with protective epoxy coating for corrosion resistance
- Oil-filled motor housing for lifetime lubrication and rapid heat dissipation
- Stainless steel fasteners
- Mechanical seals (stainless steel spring, nitrile parts, carbon and ceramic faces)
- Bearings: upper and lower sintered sleeve
- Thermal overload protection
- Automatic operation: "On" level approximately 10", "Off" level approximately 4" (pressure switch is non-adjustable)



The Model 8E-CIA-VDS De-watering and Effluent pumps are for residential and light commercial use. Pumps feature a 1-1/2" FNPT discharge with a maximum head of 21' and ABS base.



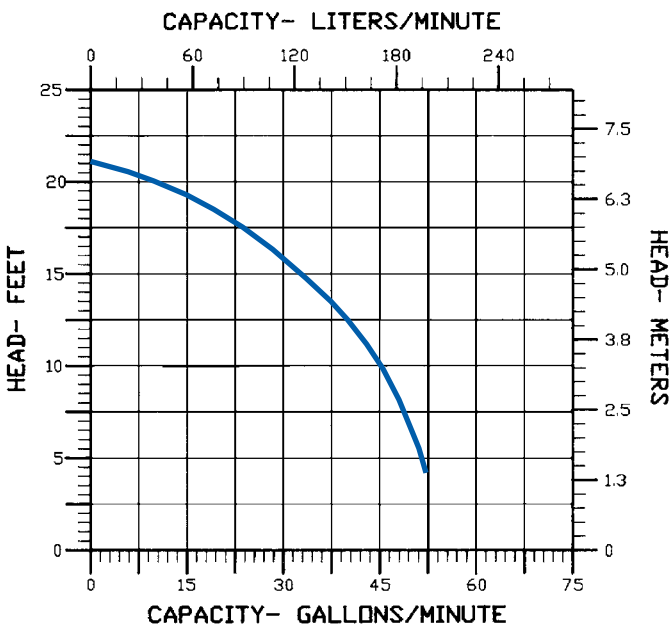
8E-CIA-VDS



Specifications

Model No.	Item No.	Listings	HP	Volts	Solids (dia.)	Running Amps/Watts	Performance (GPM @ Head)				Shut Off		Pwr. Cord (ft.)	Weight (lbs.)	Height	Length	Width
							5'	10'	15'	20'	Feet	PSI					
8E-CIA-VDS	509001	UL/CSA	1/3	115	3/4"	11/900	52	45	33	—	21	9.1	10	25.5	8.3	9.6	11.0

Continuous Duty Rated — "Little Giant Wastewater pumps are rated continuous duty as long as they are run within the published ratings for these pumps."



Construction

Motor Housing	Epoxy-coated cast iron
Impeller Material	Nylon
Impeller Type	Vortex
Volute	Epoxy-coated cast iron
Power Cord	SJTW-A
Mechanical Shaft Seal	Nitrile w/carbon and ceramic faces
Fasteners	Stainless steel
Shaft	Cold rolled steel
Bearings	Upper and lower sintered sleeve bearings