

# Little GIANT®

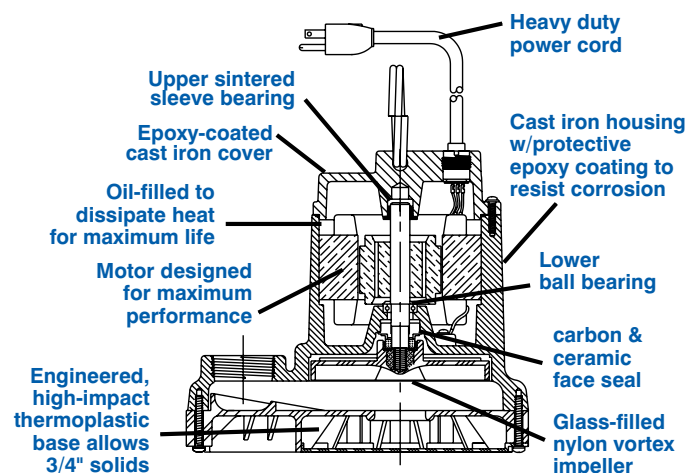
## 9E SERIES



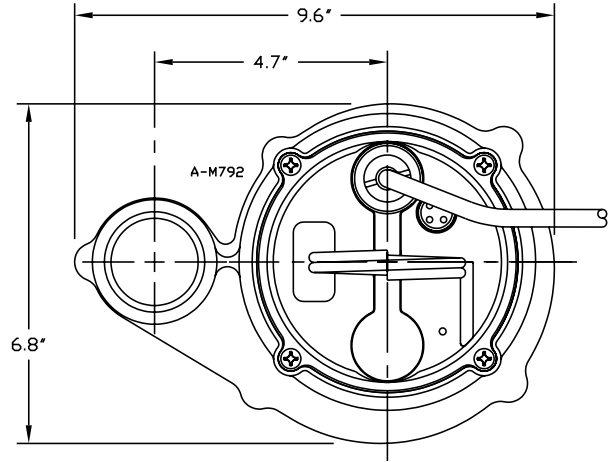
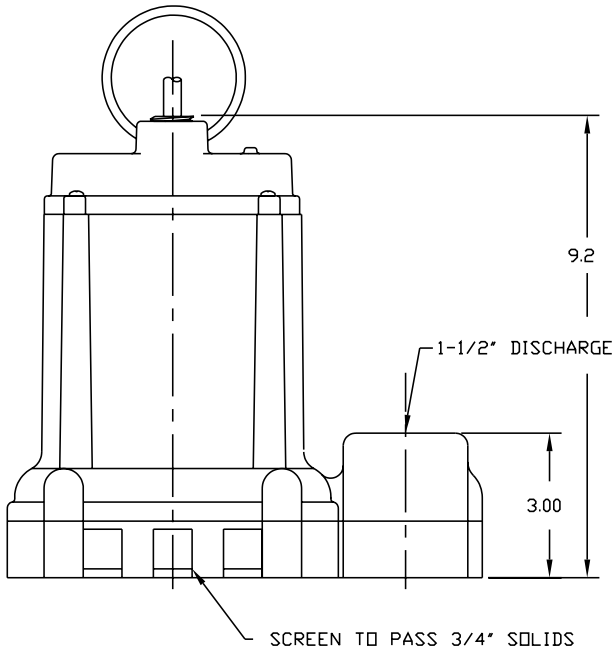
### Features

- Handles liquids and solid waste materials up to 3/4" diameter
- Cast iron pump housing and cover with protective epoxy coating for corrosion resistance
- Oil-filled motor housing for lifetime lubrication and rapid heat dissipation
- Stainless steel screws, bolts and handle
- Mechanical seals (stainless steel spring, nitrile parts, carbon and ceramic faces)
- Bearings: Upper sleeve bearing, lower ball bearing
- Thermal overload protection
- Manual and Automatic models
- Automatic operation has 9" to 14" "On" level and 2" to 6" "Off" level range with integral remote float switch
- All 115 volt models are UL/CSA listed

The Model 9E Series De-watering and Effluent pumps are for residential and light to medium commercial use. Pumps feature a 1-1/2" discharge with a lift of 23' and ABS base.



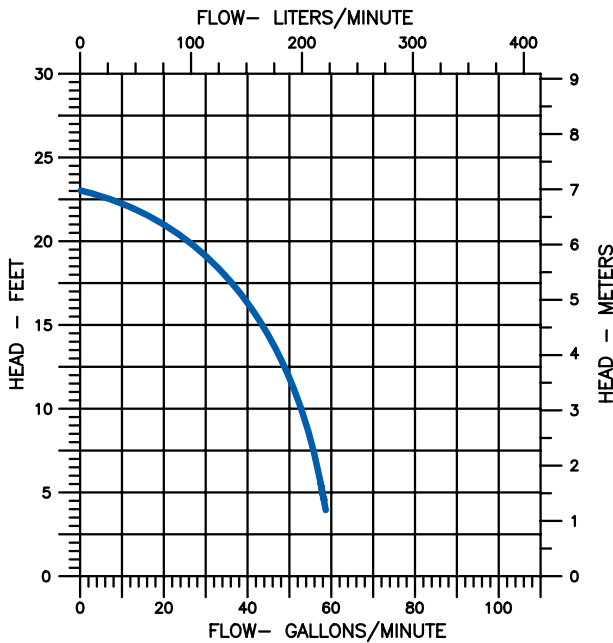
# 9E SERIES



## Specifications

Model No.	Item No.	Listings	HP	Volts	Solids Size (Dia. in.)	Running Amps/Watts	Performance (GPM @ Head)				Shut Off		Pwr. Cord (ft.)	Weight (lbs.)	Dimensions (H x L x W in.)
							5'	10'	15'	20'	Feet	PSI			
9E-CIM	509200	UL/CSA	4/10	115	3/4	12.3/1000	57	53	40	15	23	10	15	26	9.15 x 9.6 x 6.8
9E-CIA-RFS	509300	UL/CSA	4/10	115	3/4	12.3/1000	57	53	40	15	23	10	15	27	9.15 x 9.6 x 6.8
9E-CIM	509250	—	4/10	230	3/4	6.2/1000	57	53	40	15	23	10	20*	26	9.15 x 9.6 x 6.8
9E-CIA-RFS	509320	UL/CSA	4/10	115	3/4	12.3/1000	57	53	40	15	23	10	20	28	9.15 x 9.6 x 6.8
9E-CIM	509225	UL/CSA	4/10	115	3/4	12.3/1000	57	53	40	15	23	10	25	26	9.15 x 9.6 x 6.8

\*without plug



## Construction

Cover	Epoxy-coated cast iron
Motor Housing	Epoxy-coated cast iron
Impeller Material	Nylon
Impeller Type	Vortex
Volute	Epoxy-coated cast iron
Power Cord	SJTW-A
Mechanical Shaft Seal	Nitrile with carbon and ceramic faces
Fasteners	Stainless steel
Shaft	Steel
Bearings	Upper sleeve and lower ball bearings