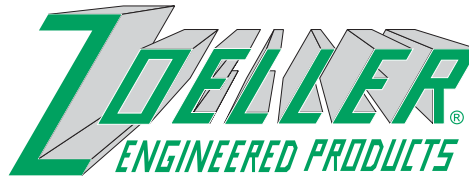


"QUALITY PUMPS SINCE 1939"



SECTION: Z1.20.110

ZM1374

0810

Supersedes

0510

Product information presented here reflects conditions at time of publication. Consult factory regarding discrepancies or inconsistencies.

MAIL TO: P.O. BOX 16347 • Louisville, KY 40256-0347
SHIP TO: 3649 Cane Run Road • Louisville, KY 40211-1961
(502) 778-2731 • 1 (800) 928-PUMP • FAX (502) 774-3624

visit our web site:
www.zoeller.com



Tested to UL Standard UL778.



Certified to CSA Standard C22.2 No.108.



PERFORMANCE DATA COMMERCIAL SEWAGE PUMPS MODELS 6282, 6284

GENERAL DATA

	<input type="checkbox"/> 6282	<input type="checkbox"/> 6284
PUMP NAME PLATE HORSEPOWER:	½ HP	1 HP
SOLID SIZE: in (mm)	2" (51mm)	2" (51mm)
MINIMUM HEAD: ft. (m)	5.0' (1.5m)	5.0' (1.5m)
MAXIMUM HEAD: ft. (m)	26' (7.9m)	35' (10.7m)
MAX.FLOW GPM (L/min) @ MIN. HEAD ft. (m)	127 GPM @ 5' (481 L/min @ 1.5m)	179 GPM @ 5' (678 L/min @ 1.5m)
DISCHARGE SIZE: VERTICAL FEMALE	<input type="checkbox"/> 2" NPT <input type="checkbox"/> 3" NPT	<input type="checkbox"/> 2" NPT <input type="checkbox"/> 3" NPT

PUMP NET WEIGHT: lbs (kg)	89 lbs (40 kg)	MOTOR TYPE:	SUBMERSIBLE
SERVICE FACTOR:	1.15	TYPE SOW POWER CORD LENGTH: ft (m)	25' (7.62m) <input type="checkbox"/> _____'
MOTOR DESIGN LETTER:	NEMA B	MOTOR SHAFT:	416 S.S.
IMPELLER TYPE:	CAST IRON VORTEX	STATOR INSULATION:	CLASS B
O-RINGS AND COVER GASKET:	VITON	LEAD WIRES INSULATION:	CLASS B
RPM:	1750	MAXIMUM STATOR TEMPERATURE:	266°F (130°C)

SHAFT SEAL CONSTRUCTION:	STANDARD	UPPER-CARBON/CERAMIC, LOWER-SILICON CARBIDE/ CARBON
	OPTIONAL <input type="checkbox"/> UPPER <input type="checkbox"/> LOWER	<input type="checkbox"/> SILICON CARBIDE / CARBON <input type="checkbox"/> SILICON CARBIDE / SILICON CARBIDE <input type="checkbox"/> SILICON CARBIDE / SILICON CARBIDE
MOTOR THERMAL SHUTOFF:	STANDARD (Single Phase Only)	THERMAL OVERLOAD SWITCH WITH AUTOMATIC RESET
MOISTURE DETECTION:	<input type="checkbox"/> OPTIONAL*	MOISTURE SENSING PROBES
MINIMUM RECOMMENDED FLUID LEVEL: in (m)		10" (0.25m)
MAXIMUM WATER TEMPERATURE:		130°F (54°C)

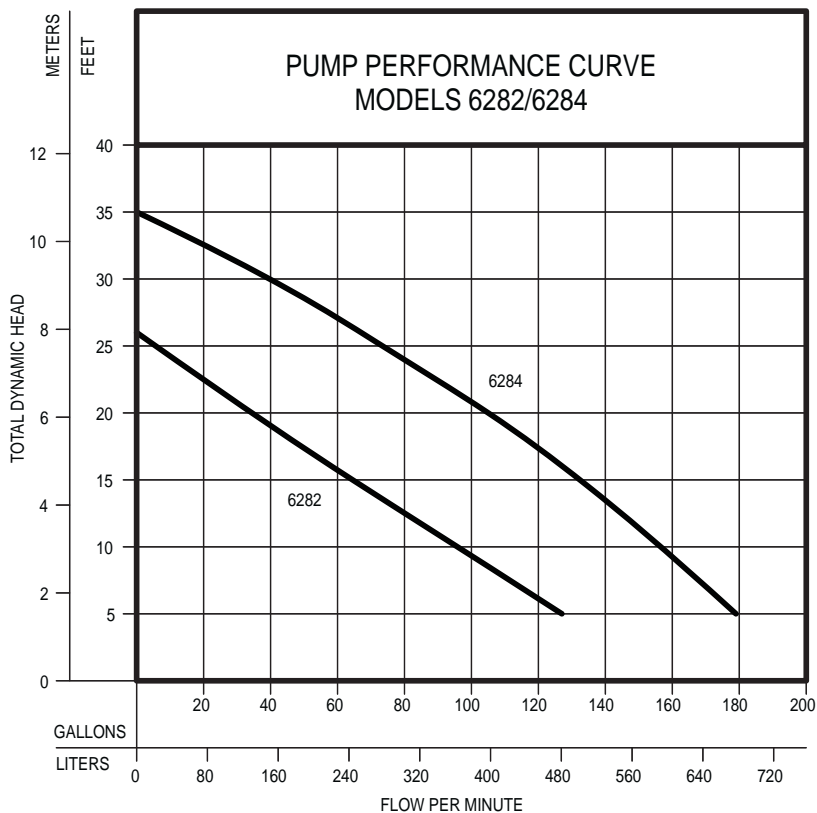
*Requires a circuit in control panel to function.

**See back side for listed UL and CSA models.

ELECTRICAL DATA

MODEL	HP	<input type="checkbox"/> 115V/1Ph		<input type="checkbox"/> 200V/1Ph		<input type="checkbox"/> 230V/1Ph		<input type="checkbox"/> 200V/3Ph		<input type="checkbox"/> 230V/3Ph		<input type="checkbox"/> 460V/3Ph		<input type="checkbox"/> 575V/3Ph	
		FLA	LRA	FLA	LRA	FLA	LRA	FLA	LRA	FLA	LRA	FLA	LRA	FLA	LRA
<input type="checkbox"/> 6282	½	10.3	27.0	6.1	17.0	5.0	14.0	3.6	16.0	3.0	11.5	1.7	8.5	1.4	5.1
<input type="checkbox"/> 6284	1	---	---	9.3	22.0	8.9	24.0	5.5	21.4	5.0	15.5	2.6	9.0	2.2	12.1

Refer to reverse side for Head/Capacity Performance Curves



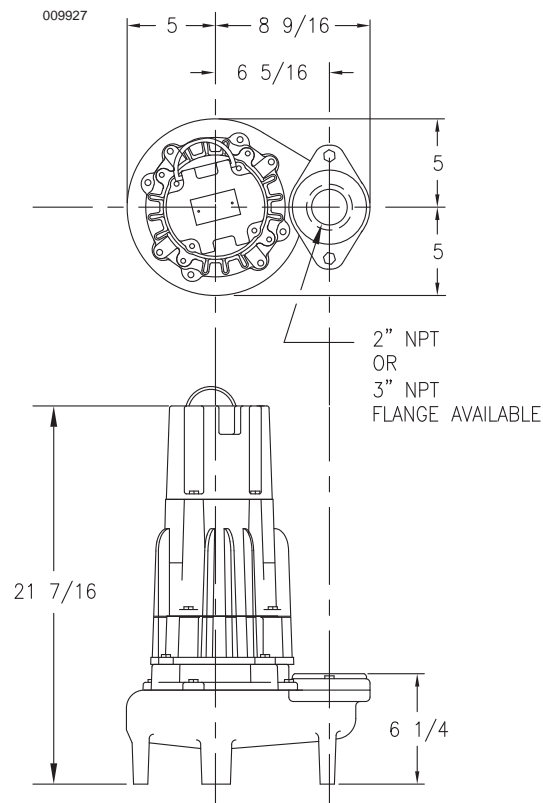
FEATURES

- Durable Epoxy Coated cast iron construction.
- Motor - ½ HP or 1 HP, 60 Hz, 1750 RPM, 1 Ph or 3 Ph, oil filled, hermetically sealed, automatic reset, thermal overload protected (1 Ph).
- Bearings - Upper and lower ball bearings
- Stainless Steel Motor Shaft.
- Dual Mechanical Shaft Seals - Upper carbon/ceramic, Lower silicon carbide/carbon. Optional seal materials available
- Viton O-ring seals and cover gasket
- Impeller - Non-clogging Cast Iron vortex design passes 2" spherical solids.
- 25 foot UL Listed 3 wire neoprene cord and plug. Longer cords available in lengths of 35-50 feet.
- No screens to clog.
- Stainless steel screws, bolts and handle.
- 2" NPT discharge with 3" flange available.
- Corrosion resistant powder coated epoxy finish.
- Moisture sensors available for early warning of seal failure. (Optional)
- 100% computerized tested.

SELECTION GUIDE

1. Single or Double piggyback variable level float switch pump control using the 15 amp plug and receptacle. Refer to ZM1536.
2. Single piggyback variable level float switch, hard wiring the pump lead wires to the float switch leads.
3. Refer to ZM1342 and select the correct simplex control panel listed for the pump. Refer to ZM1536 and select the desired variable level control switch, 3 required.
4. Refer to ZM1342 and select the correct duplex control panel listed for the pump. Refer to ZM1536 and select the desired variable level control switch, 3 or 4 required.

MODELS		6282		6284	
Feet	Meters	Gal.	Liters	Gal.	Liters
5	1.5	127	481	179	678
10	3.0	96	363	157	594
15	4.6	64	242	133	503
20	6.1	34	129	106	401
25	7.6	6	23	73	276
30	9.1	--	--	42	159
Shut-off Head		26 ft. (7.9m)		35 ft. (10.7m)	



SK1414

Standard all models - 25 ft. cord - ½ HP

6282 MODELS	Control Selection (See Selection Guide)					Listings	
	Volts	Ph	Amps	Simplex	Duplex	UL	CSA
*N6282	115	1	10.3	1, 2 or 3	4	Yes	Yes
*E6282	230	1	5.0	1, 2 or 3	4	Yes	Yes
I6282	200	1	6.1	2 or 3	4	No	No
J6282	200	3	3.6	3	4	Yes	Yes
F6282	230	3	3.0	3	4	Yes	Yes
G6282	460	3	1.7	3	4	Yes	Yes
BA6282	575	3	1.4	3	4	No	Yes

Standard all models - 25 ft. cord - 1 HP

6284 MODELS	Control Selection (See Selection Guide)					Listings	
	Volts	Ph	Amps	Simplex	Duplex	UL	CSA
*E6284	230	1	8.9	1, 2 or 3	4	Yes	Yes
I6284	200	1	9.3	2 or 3	4	No	No
J6284	200	3	5.5	3	4	Yes	Yes
F6284	230	3	5.0	3	4	Yes	Yes
G6284	460	3	2.6	3	4	Yes	Yes
BA6284	575	3	2.2	3	4	No	Yes

* Molded Plug
Double Seal pumps are available with optional moisture sensors. Seal Fail Indicator light available in NEMA 4X control panels.

For additional information on Zoeller products refer to catalog for: Rail Systems, ZM1347; Float Switch Brackets, ZM1328; Check Valves, ZM1348; High Water Alarm Panels and Float Switches, ZM1536; Control Panels, ZM1342.

CAUTION
All installation of controls, protection devices and wiring should be done by a qualified licensed electrician. All electrical and safety codes should be followed including the most recent National Electric Code (NEC) and the Occupational Safety and Health Act (OSHA).