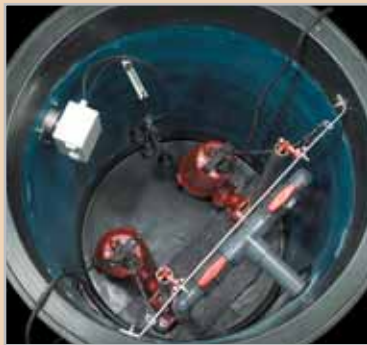


Liberty Pumps®

D3648-Series



AE24H=3
Control
Panel with
Alarm
Included



4" inlet
(unmounted)

2
YEAR
WARRANTY



Available with
LSG or LSGX-Series
(2-Stage) Grinders



Duplex Grinder Package

Factory Assembled

36" x 48"

Fiberglass Basin

2 hp Grinder Pumps

GR20 Guide
Rail Assemblies

Features:

- Integral check valves
- QuickTree® pre-mounted float system for pump control and alarm
- 4" Fiberglass hub with 4" rubber pipe seal
- Galvanized guide rail piping (stainless optional)
- Factory pre-assembled guide rail system
- Factory pre-assembled schedule 80 PVC discharge piping with ball valves
- Fiberglass basin with anti-flotation collar
 - Standard green fiberglass cover, solid (optional black steel, solid)
 - All stainless steel supports and brackets pre-mounted
 - NEMA 4X junction box for electrical connections
- Stainless steel chain for pump lift-out

innovate. evolve.

D3648-Series Specifications

Available with LSG or LSGX-Series Grinder Pumps

- 2 hp., 208-230V, 1 Phase, 60 Hz, 15 Amps, 3450 RPM
- Discharge 2" (exiting tank)
- Cable length 25'

(See LSG200 or LSGX-Series literature for complete pump specifications. 3-Phase available. Consult factory.)

Models

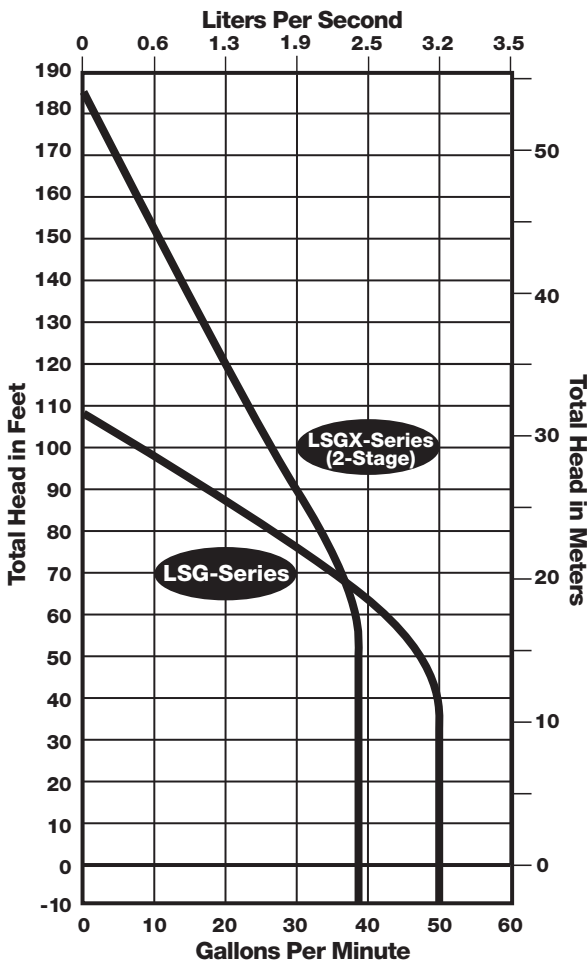
LSG-Series	Wgt.	LSGX-Series (2-Stage)	Wgt.
D3648LSG	470 lbs	D3648LSGX	482 lbs

Panel Model AE24H=3 (NEMA 4x) Duplex Control & Alarm

- NEMA 4X Enclosure
- 3 Float System
- Magnetic motor contactor
- Circuit breaker
- HOA switch
- Alarm horn and beacon
- UL and cUL listed

(See AE-Series literature for complete panel specifications.)

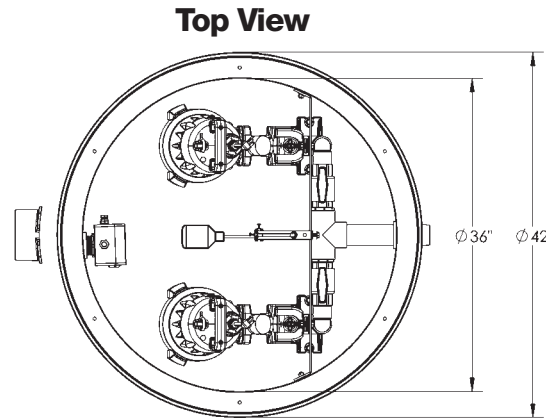
Performance Curves:



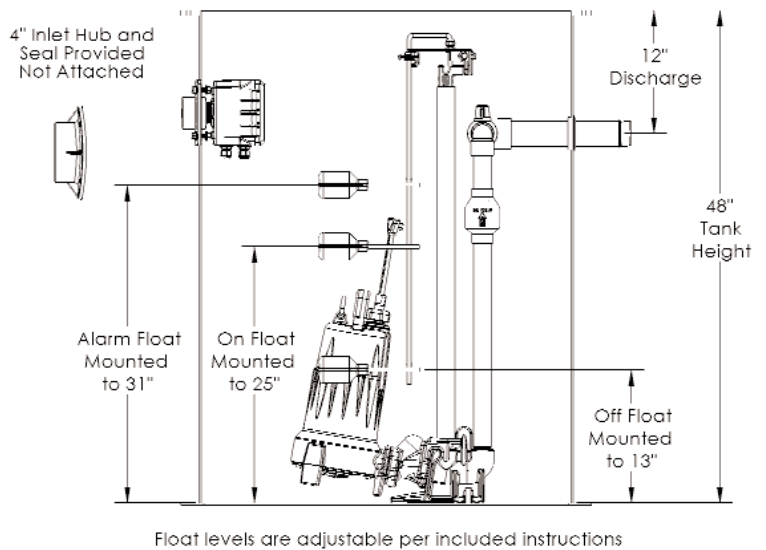
Customized Systems:

Liberty offers many options to the base D3648 package, as well as other engineered pump systems. Consult factory for information on customized systems.

Dimensional Data:



Side View



Galvanized guide rails standard. For optional stainless steel rail, add "-S" to model number. Example: D3648LSGX-S
For steel cover option add "-SC" to model number. Example: D3648LSGX-SC

Total Capacity: 211 Gallons
Capacity Per Pump Cycle: 62 Gallons
Pumps Shipped Separately

Specifications are subject to change without notice.

