

Liberty Pumps®

2460-Series

Simplex Grinder Package

Factory Assembled

24" x 60"

Fiberglass Basin

2 hp Grinder Pump

1-1/4" Discharge

GR20 Guide
Rail Assembly

Features:

- Pre-mounted floats for pump control and alarm
- 4" Fiberglass hub with 4" rubber pipe seal
- Factory pre-assembled guide rail system
 - Integral check valve
 - Galvanized guide rail pipe (stainless optional)
- Factory pre-assembled schedule 80 PVC discharge piping with ball valve
- Fiberglass basin with anti-flotation collar
- Structural foam cover - 1000 lb. load rating (steel optional)
- All stainless steel supports and brackets pre-mounted
- NEMA 4X junction box for electrical connections, pre-mounted
- Stainless steel chain for pump lift-out



4" inlet
(unmounted)



SXH24=3
Control Panel with
Alarm Included



Available with
LSG or LSGX-Series
(2-Stage) Grinders



innovate. evolve.

2460-Series Specifications

Available with LSG or LSGX-Series Grinder Pumps

- 2 hp., 208-230V, 1 Phase, 60 Hz, 15 Amps, 3450 RPM
- Discharge 1 1/4"
- Cable length 25'

(See Omnivore literature for complete pump specifications
3-Phase available. Consult Factory.)

Models

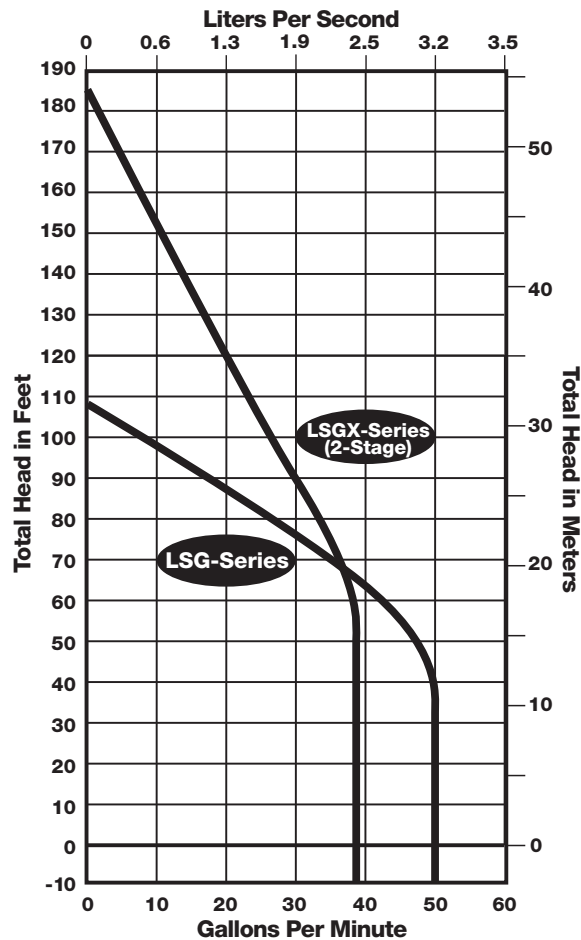
LSG-Series	Discharge Hgt.	WGT
2460LSG24	24"	230 lbs.
2460LSG36	36"	230 lbs.
2460LSG24-A	24"	231 lbs.

(2460LSG24-A replaces SXH24=3 control with ALM-2W Alarm)

LSGX-Series (2-Stage)	Discharge Hgt.	WGT
2460LSGX24	24"	236 lbs.
2460LSGX36	36"	236 lbs.

Discharge depth is measured from top of basin to center of discharge
Custom model: 2460LSG24-A uses automatic LSG202A grinder pump and
replaces SXH24=3 panel with ALM-2W Alarm

Performance Curves:



Panel Model SXH24=3 (NEMA 4x) Simplex Control & Alarm

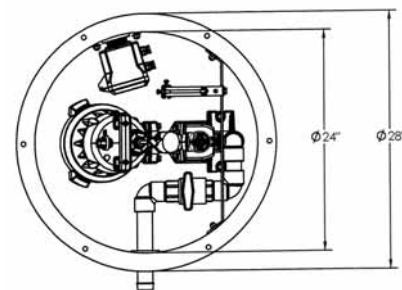
- NEMA 4X Enclosure
 - 3 Float System
 - Magnetic motor contactor
 - Circuit breaker
 - HOA switch
 - Alarm horn and beacon
 - UL and cUL listed
- (See SX-Series literature for complete panel specifications.)

Customized Systems:

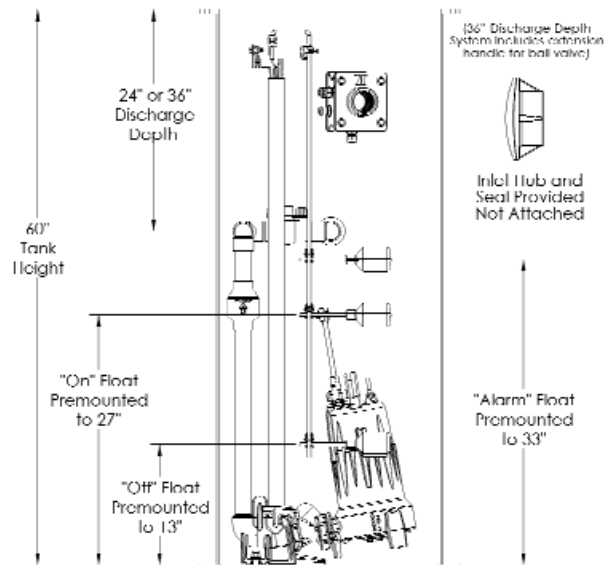
Liberty offers many options to the base 2460 package, as well as other engineered pump systems. Consult factory for information on customized systems.

Dimensional Data:

Top View



Side View



Float levels are adjustable per included instructions

Galvanized guide rail standard. For stainless steel rail add "S" to model number. Example: 2460LSG24-S. For steel cover option add "-SC" suffix to model number. Example: 2460LSG24-SC.

Total Capacity: 118 Gallons

Capacity Per Pump Cycle: 31 Gallons (12 Gallons 2460LSG-A)

Pump Shipped Separately

Specifications are subject to change without notice.

