

# Liberty Pumps®

## LSG-RE-Series



**2**  
YEAR  
WARRANTY

**NEW!** Hooded connector available for replacement of E/One® Extreme models.

**Omnivore**  
Grinders

Available with  
LSG or LSGX-Series  
(2-Stage) Grinders

**Omnivore X2**  
2-Stage Grinders

### **Retro-Fit Systems for E/One® Grinder Packages**

**A Completely  
Assembled Grinder  
Replacement  
Package for E/One®  
GP200, GP2000 and  
Extreme Systems**

#### **Features:**

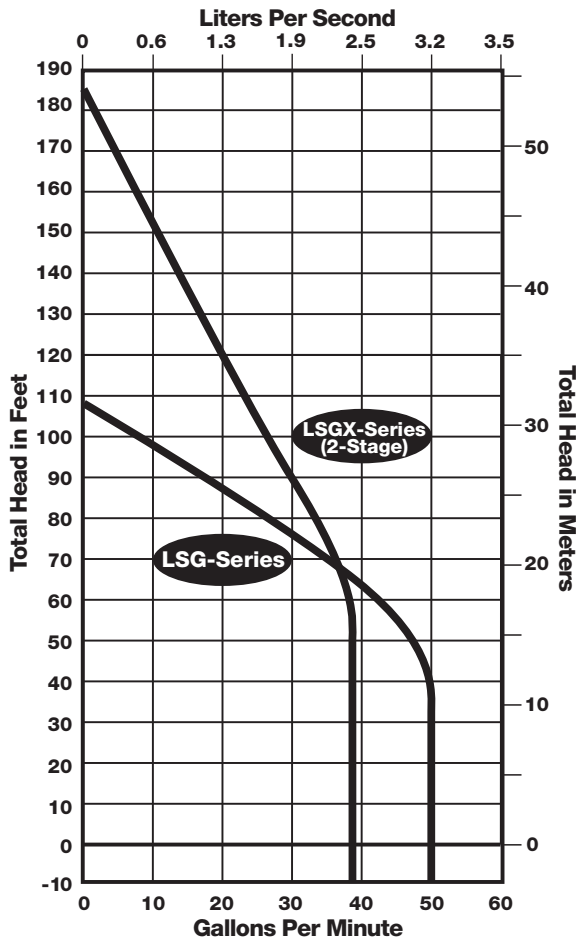
- Liberty's 2 hp Omnicore grinder pump - available in single stage or two stage
- Fully assembled and ready to drop-in-place
- Nema 4X junction box contains motor contactor and terminal strip
- Robust cord seal grommet keeps gas and moisture from entering junction box
  - Includes floats, piping and replacement cover
- Sealed 6 pin, quick-connector with 8' cable lead plugs into existing E-one connector.
- Heavy-duty cast iron anti-siphon check valve
- Alarm float works as a redundant "on" float. Will sound alarm and activate pump in the event of a main switch failure
- Stainless steel piping and discharge elbow
  - Adjustable cover height allows for proper discharge elbow engagement
- Original equipment manual over-ride switch remains operable with the LSG-RE drop-in unit.

innovate. evolve.

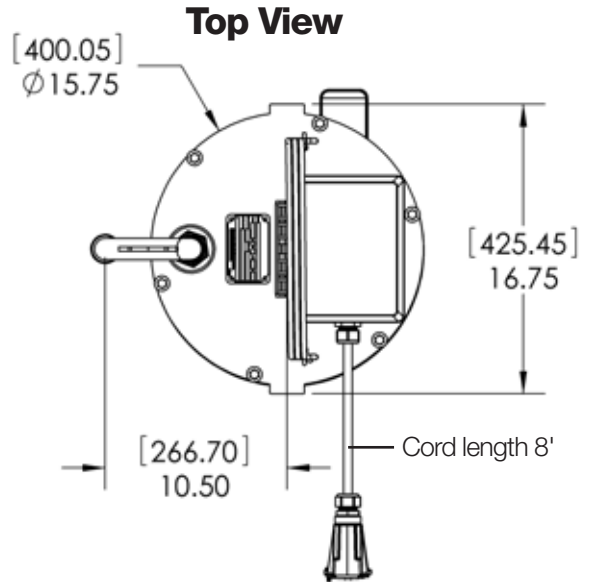
E/One® is a registered trademark of Environment One Corporation and is not affiliated with Liberty Pumps

# Retro-Fit System for E/One® Grinder Packages

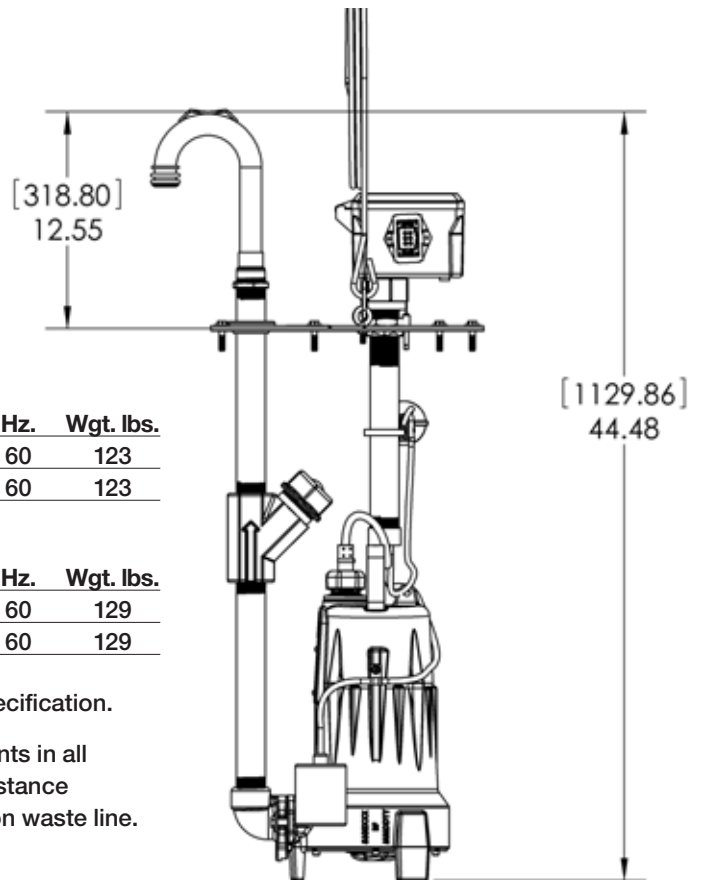
## Performance Curves:



## Dimensional Data



## Side View



## Models

### Single Stage LSG-Series

Liberty Model	E/One® Model	Hp.	Volts	Amps	Hz.	Wgt. lbs.
LSG202-RE	Fits GP200 and GP2000	2	208-230	15	60	123
LSG202-REX	Fits Extreme D-Series	2	208-230	15	60	123

### 2-Stage LSGX-Series

Liberty Model	E/One® Model	Hp.	Volts	Amps	Hz.	Wgt. lbs.
LSG202X-RE	Fits GP200 and GP2000	2	208-230	15	60	129
LSG202X-REX	Fits Extreme D-Series	2	208-230	15	60	129

See LSG or LSGX series grinder literature for complete pump specification.

Single stage LSG202-RE units may not meet pressure requirements in all applications. Consult factory for proper sizing and technical assistance where forced pressure mains or multiple homes tie into a common waste line.

E/One® is a registered trademark of Environment One Corporation and is not affiliated with Liberty Pumps



Specifications are subject to change without notice.