

## LE and LEH Series Sewage Pumps

**\*Do not throw away or lose this manual.**

### Models

LE40-Series	4/10 HP
LE50-Series	1/2 HP
LE70-Series	3/4 HP
LE100-Series	1 HP
LEH100-Series	1 HP
LEH150-Series	1.5 HP
LEH200-Series	2 HP



### Contents

- 1.) General Information
- 2.) The Basin
- 3.) Installation
- 4.) Electrical Service and Operation
- 5.) Maintenance and Troubleshooting
- 6.) Warranty

#### IMPORTANT:

Prior to installation, record Model, Serial Number, and Code Number from pump nameplate for future reference.

MODEL \_\_\_\_\_

SERIAL \_\_\_\_\_

CODE \_\_\_\_\_

INSTALLATION  
DATE \_\_\_\_\_



7000 Apple Tree Avenue  
Bergen, NY 14416  
Phone: (800) 543-2550  
Fax: (585) 494-1839  
www.libertypumps.com



# 1. General Information

Before Installation, read the following instructions carefully. Each Liberty pump is individually factory tested to assure proper performance. By closely following these instructions, potential operating problems should be eliminated, providing years of trouble-free service.

## WARNING

- **Risk of electric shock.** Always disconnect the pump from the power source before handling or making adjustments.
- The electrical connections and wiring for a pump installation should only be made by qualified personnel.
- This pump is supplied with a grounding conductor and grounding-type attachment plug. To reduce the risk of electric shock, be certain that it is connected only to a properly grounded, grounding-type 15 Amp receptacle.
- Always wear rubber boots when water is on the floor and you must unplug the pump.
- DO NOT bypass grounding wires or remove ground prong from attachment plugs.
- DO NOT use an extension cord.
- This pump requires a separate, properly fused and grounded branch circuit. Make sure the power source is properly sized for the voltage and amperage requirements of the pump, as noted on the nameplate.
- The electrical outlet shall be within the length limitations of the pump power cord, and at least 4 feet above floor level to minimize possible hazards from flood conditions.
- The installation must be in accordance with the National Electric Code, Uniform Plumbing Code, International Plumbing Code, as well as all applicable local codes and ordinances.
- Sump and sewage pumps often handle materials which could cause illness or disease. Wear adequate protective clothing when working on a used pump or piping.
- Never enter a pump basin after it has been used. Sewage and effluent can emit several gases which are poisonous.
- Keep clear of suction and discharge openings. To prevent injury, never insert fingers into pump while it is plugged in.
- DO NOT use this product for flammable or corrosive liquid.
- DO NOT use this product in applications where human contact with the pumped fluid is common (such as swimming pools, fountains, etc.)
- NEVER dispose of materials such as paint thinner or other chemicals down drains, as they can chemically attack and damage pump components, potentially causing product malfunction or failure.

## CAUTION

- **DO NOT use pumps in water over 140°F (60°C).**
- DO NOT use pumps in mud, sand, cement, oil or chemicals.
- DO NOT modify the pump in any way.
- DO NOT lift or carry pump by power cord.
- DO NOT remove any tags from pump or cords.
- If pump is installed during construction before power is available, it must be protected from the environment to prevent water from entering through the cord plug end, etc.

## WARNING

### **Disconnect old pump from power source before handling.**

Separate the discharge pipe at either the check valve or at the union. If neither a check valve nor a union is part of the existing discharge pipe, cut the pipe with a hacksaw and remove the pump (A union or check valve will need to be installed at this cut).

MODEL SPECIFICATIONS								
Model	HP	Volts	Phase	Full Load Amps	Solids Handling	FNPT Discharge	Automatic or Manual*	Shut-off Head
LE41A	4/10	115	1	12	2"	2"	Automatic	19'
*LE41M	4/10	115	1	12	2"	2"	Manual*	19'
LE51A	1/2	115	1	12	2"	2"	Automatic	25'
*LE51M	1/2	115	1	12	2"	2"	Manual*	25'
LE52A	1/2	208-230	1	6.8	2"	2"	Automatic	25'
*LE52M	1/2	208-230	1	6.8	2"	2"	Manual*	25'
LE71A	3/4	115	1	12	2"	2" or 3"	Automatic	28'
*LE71M	3/4	115	1	12	2"	2" or 3"	Manual*	28'
LE72A	3/4	208-230	1	6	2"	2" or 3"	Automatic	28'
*LE72M	3/4	208-230	1	6	2"	2" or 3"	Manual*	28'
*LE73M	3/4	208-230	3	4.1	2"	2" or 3"	Manual*	28'
*LE74M	3/4	440-480	3	2.1	2"	2" or 3"	Manual*	28'
LE102A	1	208-230	1	7	2"	2" or 3"	Automatic	36'
*LE102M	1	208-230	1	7	2"	2" or 3"	Manual*	36'
*LE103M	1	208-230	3	5.3	2"	2" or 3"	Manual*	36'
*LE104M	1	440-480	3	2.5	2"	2" or 3"	Manual*	36'
*LE105M	1	575	3	1.9	2"	2" or 3"	Manual*	36'
NOTE: LEH100-Series High-Head pumps require a minimum application of 15' head.								
LEH102A	1	208-230	1	12	2"	2" or 3"	Automatic	53'
*LEH102M	1	208-230	1	12	2"	2" or 3"	Manual*	53'
*LEH103M	1	208-230	3	9	2"	2" or 3"	Manual*	53'
*LEH104M	1	440-480	3	4.5	2"	2" or 3"	Manual*	53'
*LEH105M	1	575	3	3.3	2"	2" or 3"	Manual*	53'
NOTE: LEH150 & LEH200 Series High-Head pumps require a minimum application of 20' head.								
LEH152A	1.5	208-230	1	15	2"	2" or 3"	Automatic	70'
*LEH152M	1.5	208-230	1	15	2"	2" or 3"	Manual*	70'
*LEH153M	1.5	208-230	3	10.6	2"	2" or 3"	Manual*	70'
*LEH154M	1.5	440-480	3	5.3	2"	2" or 3"	Manual*	70'
*LEH155M	1.5	575	3	4.9	2"	2" or 3"	Manual*	70'
*LEH202M	2	230	1	18	2"	2" or 3"	Manual*	83'
*LEH203M	2	208-230	3	13.2	2"	2" or 3"	Manual*	83'
*LEH204M	2	440-480	3	6.6	2"	2" or 3"	Manual*	83'
*LEH205M	2	575	3	5.5	2"	2" or 3"	Manual*	83'

\* **Note:** Manual models ("M" suffix) and 3 phase models, as designated above, require a separate approved pump control device or panel for automatic operation. Operation of these models will be according to the control selected. Make sure the electrical specifications of the control selected properly match the electrical specifications of the pump. 3 phase models require overload elements selected or adjusted in accordance with the control or panel instructions.

## 2. The Basin

If the basin is already installed, proceed to Installation of the Pump.

The basin required for both effluent and sewage applications must be sealed and vented to meet health and plumbing code requirements. These pumps are not to be installed in locations classified as hazardous in accordance with the National Electric Code, ANSI/NFPA 70. The diameter should be a minimum of 18" and the depth a minimum of 24". (These are minimum requirements. A larger basin may be required in both effluent and sewage applications depending on local codes and the number of fixture units entering the system. Check with the local authorities or contact Liberty Pumps if you are unsure of the proper basin size.) Installation should be at a sufficient depth to ensure that all plumbing is below the frost line. If this is not feasible, remove the check valve and size the basin and/or adjust pump differential to accommodate the additional backflow volume.

- A. **Excavation:** Excavate the hole as small as possible, with a minimum recommended 8" diametrical clearance around the tank. Never place the basin directly in contact with rocks or other sharp objects. Place only fine, 1/8" to 3/4" pea gravel or 1/8" to 1/2" washed, crushed stone as bedding between the basin and the hole walls. Do not use sand or native soil as backfill. Properly compact underneath the basin to provide a solid, level base that can support the weight of the filled basin.
- B. **Inlet Connection & Initial Backfill:** Only fine, 1/8" to 3/4" pea gravel or 1/8" to 1/2" washed, crushed stone should be used around the bottom of the basin to hold it in place. Do not use sand or native soil as backfill. Make the inlet connection as required for your basin.

**Liberty P370 & P380-Series:** The Liberty P370- & P380 Series basins have a 4" inlet molded to the side of the tank. This inlet is sized to accept a 4" no-hub type coupling. Connect the gravity drainage line from the fixtures to this hub.

**Other Basins:** Other Liberty basins provide a 4" caulking hub or pipe grommet inlet. Hubs utilize caulking material or rubber donuts; grommets are a simple slip-fit. Connect the gravity drainage line from the fixtures to this opening. (Other inlet sizes available – consult factory.)

- C. **Final Backfill:** Large rocks, clods, and foreign objects should be kept out of the backfill material. Only fine, 1/4" to 3/4" pea gravel, or 1/8" to 1/2" washed, crushed stone is recommended. Do not use sand or native soil as backfill. Mound the backfill slightly and allow for natural settling. Provide access to the basin cover for maintenance and service.

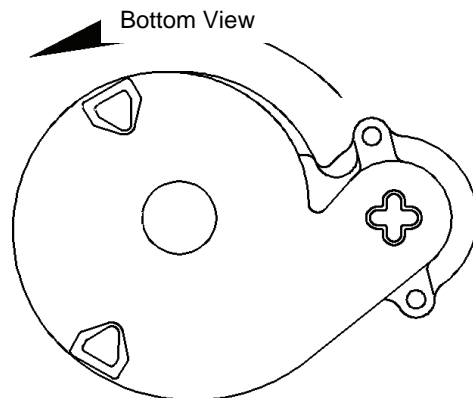
### ⚠ CAUTION

Do not exert heavy pressure or run heavy equipment on the backfill material as this could cause the tank to collapse.

## 3. Installation of the Pump

### ⚠ CAUTION

For 3-Phase pumps, check for proper rotation before installing pump into basin (see Fig. 1).

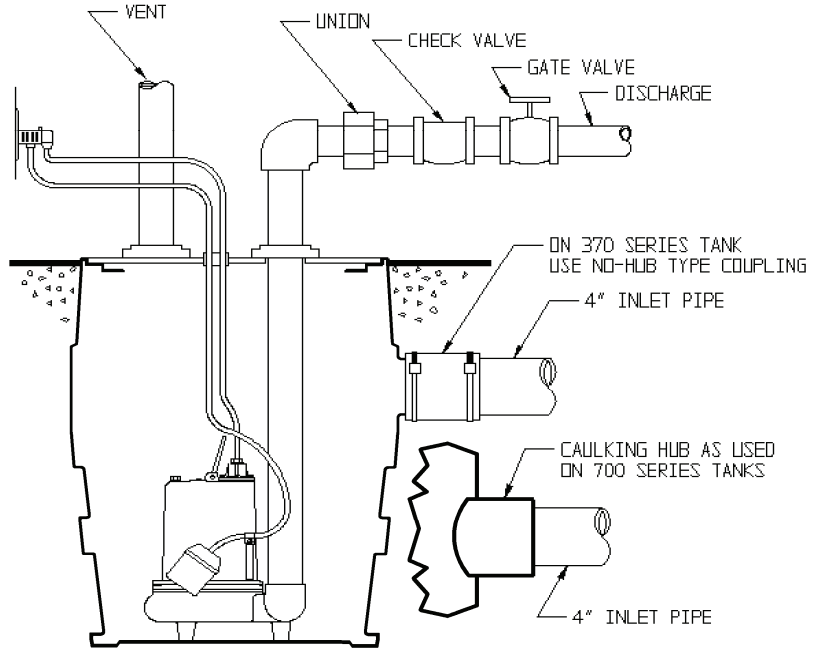


Check three phase pumps for proper rotation prior to installing pump(s) in basin. To change rotation, reverse any two of the three power leads to the pump. Code the wires for reconnection after installation.

**Fig. 1 – Proper impeller rotation, three phase models**

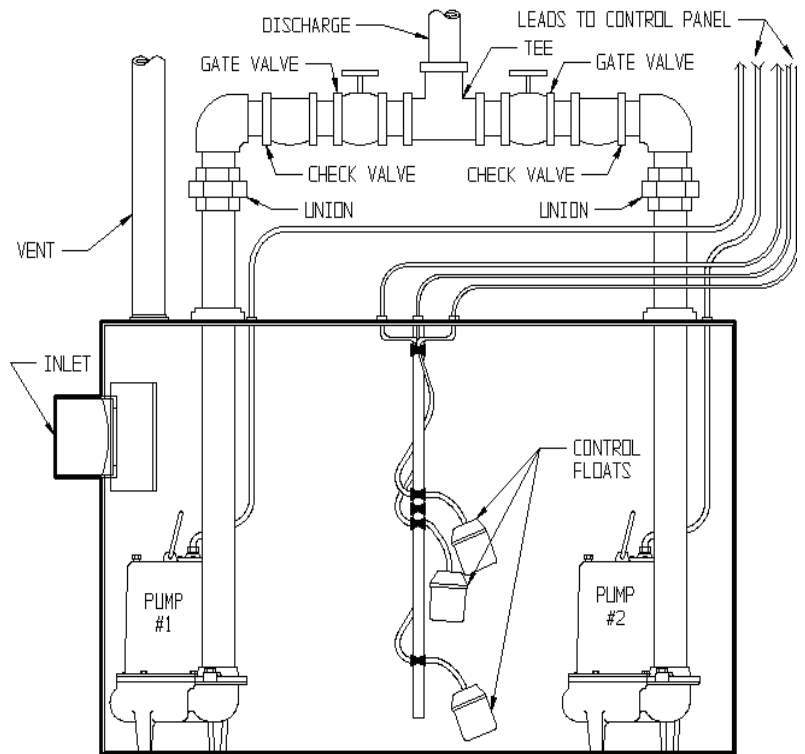
Liberty pre-assembled sewage systems come with the pump(s) already pre-mounted in the basin. The discharge pipe(s) already exit through the cover, ready to be connected to the remaining discharge line. If you have purchased a pre-assembled system, disregard steps A and B below.

- A. **Simplex (One Pump) Systems (see Fig. 2):** Set the pump in place making sure the float has adequate clearance to the side wall of the basin. If an optional control device or float is used, follow the directions for mounting that accompany the optional control. Minimum pump turn off level should not be set below 6". Connect the discharge pipe to the pump's threaded discharge. **IMPORTANT: Do not reduce the discharge pipe size below that which is provided on the pump.** Sewage pumps should not be smaller than 2". In some applications, it may be necessary to increase the pipe size to reduce friction losses. Contact Liberty Pumps or other qualified person if you have questions regarding proper pipe sizes and flow rates. Mount the basin cover provided, making sure it is properly sealed. (This is a recommended installation. Variations may apply.)



**Fig. 2 – Typical Installation Simplex System**  
This is a recommended installation only. Variations may apply.

- B. **Duplex (Two Pump) Systems (see Fig. 3):** Set both pumps in place in the bottom of the basin. The duplex control used will include 3 or 4 floats that will either be tethered to one of the discharge pipes or to an independent rod hung from the cover. Follow the instructions provided with your duplex control device. Minimum pump turn off level should not be set below 6". Make sure all floats move freely. Connect an individual discharge pipe to each pump. **IMPORTANT: Do not reduce the discharge pipe size below that which is provided on the pump.** Sewage pumps should not be reduced below 2". In some applications, it may be necessary to increase the pipe size to reduce friction losses. Contact Liberty Pumps or other qualified person if you have any questions regarding proper pipe sizes and flow rates. To eliminate fluid recycling in duplex installations, it is necessary to have a check valve on each discharge line prior to tying the two discharges into one common line. Depending on the height of your basin, the check valves may either be installed inside or outside the basin. Mount the basin covers, making sure they are properly sealed.



**Fig. 3 – Typical Installation Duplex System**  
This is a recommended installation only. Variations may apply.

- C. **Installation of Remaining Discharge (Simplex):** After the pump has been mounted and the cover sealed, install the remaining discharge line. A union should be installed just above the cover to facilitate pump removal if necessary. A check valve is recommended after the union to prevent the backflow of liquid after each pumping cycle. A gate valve should follow the check valve to allow periodic cleaning of the check valve or removal of the pump. The remainder of the discharge line should be as short as possible with a minimum number of turns, to minimize friction head loss. Do not restrict the discharge to below 2" in sewage applications. Larger pipe sizes may be required to eliminate friction head loss over long runs. Contact Liberty Pumps or other qualified person if there are questions regarding proper pipe size and flow rates. **Vent:** A connection is provided on top of the cover which must be piped to the existing building vent, or extended outside on its own standpipe. The vent size should be in accordance with applicable codes, but not less than the discharge size. **Some LE and LEH-Series pumps come equipped with an air bleed hole to help prevent air lock. A small spray of water from this hole is normal while pump is running.**
- D. **Installation of Remaining Discharge (Duplex):** Unions or flexible connectors should be installed just above the cover on each discharge to facilitate removal of the pump if necessary. Free-flow swing check valves should be installed on each discharge after the union and prior to the gate valve to prevent the back flow of liquid or gas. A check valve on each discharge line, prior to tying into one common line, is necessary to prevent the recycling of fluid from one pump to the other. A gate valve is recommended after the check valve to allow for periodic cleaning of the check valve or removal of the pump. The remainder of the discharge line should be as short as possible with a minimum number of turns to minimize friction head loss. Do not reduce the discharge to below 2" in sewage applications. Larger pipe sizes may be required to minimize friction head loss of longer runs. Contact Liberty Pumps or other qualified person if there are questions regarding proper pipe size or flow rates.
- Vent:** A connection is provided on top of the unit for connection of the vent pipe. This pipe should be tied into the existing building vent stack, or extended outside on its own standpipe. The vent size should be in accordance with local codes, but not less than the discharge size. **Some LE and LEH-Series pumps come equipped with an air bleed hole to help prevent air lock. A small spray of water from this hole is normal while pump is running.**

## 4. Electrical Service & Operation

### WARNING

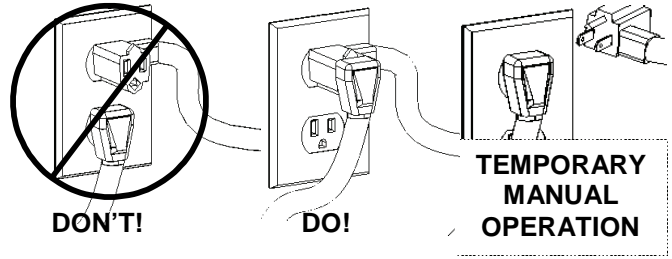
- **Risk of electric shock.** Always disconnect the pump from the power source before handling or making adjustments.
- The electrical connections and wiring for a pump installation should only be made by qualified personnel.
- This pump is supplied with a grounding conductor or a grounding type attachment plug. To reduce the risk of electric shock, be certain that the grounding conductor is connected only to a properly grounded control panel or, if equipped with a grounding type plug that it is connected to a properly grounded, grounding type receptacle.
- DO NOT bypass grounding wires or remove ground prongs from attachment plugs.
- DO NOT remove cord and strain relief and DO NOT connect conduit to pump.
- DO NOT use an extension cord.
- This pump requires separate, properly fused and grounded branch circuit. Make sure the power source is properly sized for the voltage and amperage requirements of the motor, as noted on the pump nameplate.
- The electrical outlet or panel shall be within the length limitations of the pump power cord, and at least 4 feet above floor level to minimize possible hazards from flood conditions.
- The installation must be in accordance with the National Electric Code and all applicable local codes and ordinances.

### CAUTION

When the risk of property damage from high water levels exists, an independent high water alarm or back up pump system should be installed.

**Fig. 4 Piggyback plug installation.**

**All LE-Series "A" models** (automatic pumps) come factory-equipped with a float switch mounted to the pump. These models come with two cords - one to the float switch and the other to the pump motor. The switch cord has a series (piggyback) plug enabling the pump (motor) cord to be plugged into the back of it (see Fig. 4). The purpose of this design is to allow manual operation of the pump.



**For automatic operation** using Liberty's supplied switch, the two cords should be interconnected and plugged into a separately fused, grounded outlet of proper amp capacity for your selected pump model. (See Section 1, General Information, or the pump nameplate for electrical specifications of your model.) Both cords are equipped with 3-prong plugs and must be plugged into a properly grounded 3-wire receptacle. **DO NOT REMOVE THE GROUND PRONGS.**

**For manual operation**, or in the event of switch failure, the pump cord can be separated and plugged into the electrical outlet, directly bypassing the switch. 208-230V single phase pumps should only be operated without the float switch by using the circuit breaker or panel disconnect. Do not let the pump run dry for extended periods.

The turn-on level of LE-Series "A" models is approximately 12" to 16" above the bottom of the basin. The turn-off level is approximately 6" above the bottom of the basin. Other pumping differentials may be obtained by tethering the switch cord to the discharge pipe. **NOTE:** A minimum cord length of 3.5" from the tether point to the top surface of the float is required for proper switch operation. If using a differential other than the factory setting, be sure when the pump shuts off at least 6" of fluid is left in the basin so the impeller remains submerged.

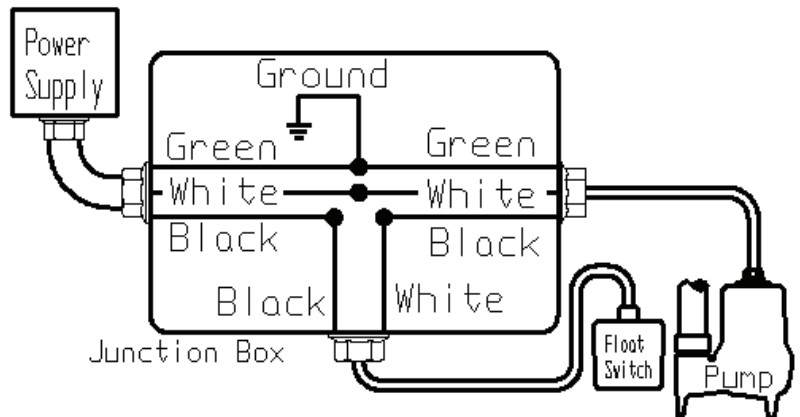
**LE-Series pump models with an "M" designation** are manual models with no switch. They are intended to be run using an approved liquid level control or approved motor control with correct rating that matches motor input in full load amperes. 3-phase models require the use of an approved motor control that matches motor input in full load amperes with overload element(s) selected or adjusted in accordance with control instructions.

**Automatic operation with optional control devices:** If the pump(s) are to be operated by either a simplex or duplex control panel, or other optional control device, follow the installation instructions provided with your specific control and make the power connections per those instructions. If necessary, certain models may be run without a separate control. 208-230V single-phase pumps should only be operated without the float switch by using the circuit breaker or panel disconnect. Do not let the pump run dry for extended periods.

**LE-Series "A" and "M" models:** If the pump is to be wired directly into a control device or junction box, and it is necessary to remove the plugs, have a certified electrician do the wiring in accordance with the National Electric Code and applicable local codes. See Fig. 5 for direct wire installation of single phase, automatic pumps.

**⚠ WARNING**

In 208-230V installations, one side on the line going to the pump is always "hot", whether the float switch is on or off. To avoid hazards, install a double pole disconnect near the pump installation.



**Fig. 5 – Direct Wiring of 115V or 208-230V, Single Phase, Automatic Pumps**

## 5. Maintenance and Troubleshooting

### WARNING

**Risk of electric shock.** Always disconnect the pump from the power source before handling or making adjustments.

Problem	Cause	Correction
Pump will not run.	<ul style="list-style-type: none"> <li>Blown fuse or other interruption of power; improper voltage.</li> </ul>	<ul style="list-style-type: none"> <li>Check that the unit is securely plugged in. Have an electrician check all wiring for proper connections and adequate voltage and capacity.</li> </ul>
	<ul style="list-style-type: none"> <li>Switch is unable to move to the "turn on" position due to interference with the side of basin or other obstruction</li> </ul>	<ul style="list-style-type: none"> <li>Position the pump or switch so that it has adequate clearance for free operation.</li> </ul>
	<ul style="list-style-type: none"> <li>Insufficient liquid level.</li> </ul>	<ul style="list-style-type: none"> <li>Make sure the liquid level is allowed to rise enough to activate switch(s).</li> </ul>
	<ul style="list-style-type: none"> <li>Defective switch.</li> </ul>	<ul style="list-style-type: none"> <li>Remove and replace switch.</li> </ul>
Pump will not turn off.	<ul style="list-style-type: none"> <li>Switch(s) unable to move to the "turn off" position due to interference with the side of basin or other obstacle.</li> </ul>	<ul style="list-style-type: none"> <li>Position the pump or switch so that it has adequate clearance for free operation.</li> </ul>
	<ul style="list-style-type: none"> <li>Defective switch.</li> </ul>	<ul style="list-style-type: none"> <li>Remove and replace switch.</li> </ul>
Pump runs or hums, but does not pump.	<ul style="list-style-type: none"> <li>Discharge is blocked or restricted.</li> </ul>	<ul style="list-style-type: none"> <li>Check the discharge line for foreign material, including ice if the discharge line passes through or into cold areas.</li> </ul>
	<ul style="list-style-type: none"> <li>Check valve is stuck closed or installed backwards.</li> </ul>	<ul style="list-style-type: none"> <li>Remove check valve(s) and examine for freedom of operation and proper installation.</li> </ul>
	<ul style="list-style-type: none"> <li>Gate or ball valve is closed.</li> </ul>	<ul style="list-style-type: none"> <li>Open gate or ball valve.</li> </ul>
	<ul style="list-style-type: none"> <li>Total lift is beyond pump's capability.</li> </ul>	<ul style="list-style-type: none"> <li>Try to route piping to a lower level. If not possible, a larger pump may be required. <b>Consult the factory.</b></li> </ul>
	<ul style="list-style-type: none"> <li>Pump impeller is jammed or volute casing is plugged.</li> </ul>	<ul style="list-style-type: none"> <li>*Remove the pump from the basin. Detach the pump base and clean the area around the impeller. Reassemble and reinstall.</li> </ul>
Pump runs periodically when fixtures are not in use.	<ul style="list-style-type: none"> <li>Check valve was not installed, is stuck open or is leaking.</li> </ul>	<ul style="list-style-type: none"> <li>Remove check valve(s) and examine for freedom of operation and proper installation.</li> </ul>
	<ul style="list-style-type: none"> <li>Fixtures are leaking.</li> </ul>	<ul style="list-style-type: none"> <li>Repair fixtures as required to eliminate leakage.</li> </ul>
Pump operates noisily.	<ul style="list-style-type: none"> <li>Foreign objects in the impeller cavity.</li> </ul>	<ul style="list-style-type: none"> <li>*Remove the pump from the basin. Detach the pump base and clean the area around the impeller. Reassemble and reinstall.</li> </ul>
	<ul style="list-style-type: none"> <li>Broken impeller.</li> </ul>	<ul style="list-style-type: none"> <li>Consult the factory for information regarding replacement of impeller.</li> </ul>
	<ul style="list-style-type: none"> <li>Worn bearings.</li> </ul>	<ul style="list-style-type: none"> <li>Return pump to the factory or authorized repair station for repair.</li> </ul>
	<ul style="list-style-type: none"> <li>Piping attachments to building are too rigid.</li> </ul>	<ul style="list-style-type: none"> <li>Replace a portion of the discharge line with rubber hose or connector.</li> </ul>



## 6. 2 Year Limited Warranty

**\*NOTE:** Liberty Pumps, Inc. assumes no responsibility for damage or injury due to disassembly in the field. Disassembly, other than at Liberty Pumps or its authorized service centers, automatically voids warranty.

Liberty Pumps, Inc. warrants that pumps of its manufacture are free from all factory defects in material and workmanship for a period of 2 years from the date of purchase. The date of purchase shall be determined by a dated sales receipt noting the model and serial number of the pump. The dated sales receipt must accompany the returned pump if the date of return is more than 2 years from the "CODE" (date of manufacture) number noted on the pump nameplate.

The manufacturer's obligation under this Warranty shall be limited to the repair or replacement of any parts found by the manufacturer to be defective, provided the part or assembly is returned freight prepaid to the manufacturer or its authorized service center, and provided that none of the following warranty-voiding characteristics are evident.

The manufacturer shall not be liable under this Warranty if the product has not been properly installed; if it has been disassembled, modified, abused or tampered with; if the electrical cord has been cut, damaged or spliced; if the pump discharge has been reduced in size; if the pump has been used in water temperatures above the advertised rating, or water containing sand, lime, cement, gravel or other abrasives; if the product has been used to pump chemicals or hydrocarbons; if a non-submersible motor has been subjected to excessive moisture; or if the label bearing the serial, model and code number has been removed. Liberty Pumps, Inc. shall not be liable for any loss, damage or expenses resulting from installation or use of its products, or for consequential damages, including costs of removal, reinstallation or transportation.

There is no other express warranty. All implied warranties, including those of merchantability and fitness for a particular purpose, are limited to two years from the date of purchase.

This Warranty contains the exclusive remedy of the purchaser, and, where permitted, liability for consequential or incidental damages under any and all warranties are excluded.



7000 Apple Tree Avenue  
Bergen, NY 14416  
Phone: (800) 543-2550  
Fax: (585) 494-1839  
[www.libertypumps.com](http://www.libertypumps.com)

## Bombas de Saneamiento Series LE y LEH

\*No tire ni pierda este manual.

### Modelos

Serie LE40	4/10 HP
Serie LE50	1/2 HP
Serie LE70	3/4 HP
Serie LE100	1 HP
Serie LEH100	1 HP
Serie LEH150	1.5 HP
Serie LEH200	2 HP



### Contenido

- 1.) Información general
- 2.) La cubeta
- 3.) Instalación
- 4.) Servicio eléctrico y operación
- 5.) Mantenimiento y diagnóstico de problemas
- 6.) Garantía

#### IMPORTANTE:

Apunte el modelo, el número de serie y el código que aparecen en la placa de la bomba antes de instalarla para que le sirvan de referencia en el futuro.

MODELO \_\_\_\_\_

SERIE \_\_\_\_\_

CÓDIGO \_\_\_\_\_

FECHA DE  
INSTALACIÓN \_\_\_\_\_

### Liberty Pumps®

7000 Apple Tree Avenue  
Bergen, NY 14416, EUA  
Teléfono: (800) 543-2550  
Fax: (585) 494-1839  
www.libertypumps.com



# 1. Información general

Lea con atención estas instrucciones antes de instalar la bomba. Todas las bombas de Liberty se someten a prueba en fábrica como garantía de su funcionamiento. Siga estas instrucciones al pie de la letra para prevenir problemas de funcionamiento y conseguir muchos años de servicio satisfactorio.

## ADVERTENCIA

- **Riesgo de descarga eléctrica.** Desconecte la bomba siempre que vaya a moverla o a realizar algún ajuste.
- Sólo personal calificado podrá encargarse de instalar las conexiones y cables eléctricos necesarios para montar la bomba.
- Esta unidad viene con un conector a tierra y un enchufe con conexión a tierra. Para evitar descargas eléctricas, conecte la bomba a un tomacorriente a tierra de 15 amperios debidamente conectado a tierra.
- Cuando haya agua en el piso y deba desenchufar la bomba siempre use botas de goma.
- NO derive los cables de puesta a tierra ni retire las espigas a tierra de los enchufes.
- NO use cables de extensión.
- Con esta bomba hay que utilizar un circuito derivado independiente, debidamente conectado a tierra y con fusibles. La fuente de alimentación tendrá que tener suficiente capacidad para cumplir los requisitos de voltaje y amperaje indicados en la placa de la bomba.
- El tomacorriente deberá encontrarse al alcance del cable de alimentación de la bomba y a 1.2 metros como mínimo por encima del piso para evitar problemas en caso de inundación.
- Se deberá instalar la unidad según las disposiciones del Código eléctrico nacional (NEC) y los Códigos de plomería de Estados Unidos, además de todos los códigos y regulaciones locales que correspondan.
- Las bombas de drenaje y de alcantarillado a menudo manejan materiales capaces de provocar enfermedades. Use ropa protectora adecuada cuando trabaje en una bomba o una tubería usada.
- Nunca ingrese a una cubeta de bomba después que haya sido usada. Los sistemas de efluentes y de alcantarillado pueden emitir diferentes tipos de gases tóxicos.
- Manténgase alejado de la entrada de succión y de la salida de descarga. Para evitar heridas, nunca inserte los dedos en la bomba mientras se encuentre conectada.
- NO use este producto para líquidos inflamables o corrosivos.
- NO use este producto en aplicaciones en las que el contacto humano con el fluido bombeado sea común (por ejemplo, piscinas, fuentes, etc.).
- NUNCA deseche por el drenaje materiales tales como solvente para pintura u otros químicos, ya que pueden llegar a atacar y dañar los componentes de la bomba y potencialmente causar que el equipo no funcione bien o deje de funcionar.

## PRECAUCIÓN

- **NO utilice las bombas en agua con temperatura superior a los 140°F (60°C).**
- NO utilice las bombas con lodo, arena, cemento, aceite o químicos.
- NO modifique la bomba de ninguna manera.
- NO levante ni transporte la bomba por medio del cable eléctrico.
- NO retire ninguna etiqueta de la bomba o cables.
- Si la bomba se instala durante una construcción antes de que haya energía eléctrica disponible, se deberá proteger de la intemperie para evitar que el agua ingrese a través del enchufe, etc.

### Herramientas necesarias:

- Llave para tubos
- Desarmador normal
- Sierra para metales (para reemplazar o quitar los tubos rígidos existentes.)

### Retiro de la bomba antigua

## ADVERTENCIA

### **Desconecte la bomba del suministro eléctrico antes de manejarla.**

Separe el tubo de descarga a nivel de la válvula de retención o de la unión. Si ni la válvula de retención ni la unión son parte del tubo de descarga existente, corte el tubo con una sierra para metales y quite la bomba. (Se necesitará instalar una unión o una válvula de retención a nivel de este corte.)

ESPECIFICACIONES DEL MODELO								
Modelo	HP	Volts	Fase	Amps a carga total	Tratamiento de sólidos	Desagüe rosca hembra FNPT	Automático o manual*	Altura total con válvula cerrada
LE41A	4/10	115	1	12	5.08 cm (2 plg.)	5.08 cm (2 plg.)	Automática	5.79 m (19 pies)
*LE41M	4/10	115	1	12	5.08 cm (2 plg.)	5.08 cm (2 plg.)	Manual*	5.79 m (19 pies)
LE51A	1/2	115	1	12	5.08 cm (2 plg.)	5.08 cm (2 plg.)	Automática	7.62 m (25 pies)
*LE51M	1/2	115	1	12	5.08 cm (2 plg.)	5.08 cm (2 plg.)	Manual*	7.62 m (25 pies)
LE52A	1/2	208-230	1	6.8	5.08 cm (2 plg.)	5.08 cm (2 plg.)	Automática	7.62 m (25 pies)
*LE52M	1/2	208-230	1	6.8	5.08 cm (2 plg.)	5.08 cm (2 plg.)	Manual*	7.62 m (25 pies)
LE71A	3/4	115	1	12	5.08 cm (2 plg.)	5.08 ó 7.62 cm (2 ó 3 plg.)	Automática	8.53 m (28 pies)
*LE71M	3/4	115	1	12	5.08 cm (2 plg.)	5.08 ó 7.62 cm (2 ó 3 plg.)	Manual*	8.53 m (28 pies)
LE72A	3/4	208-230	1	6	5.08 cm (2 plg.)	5.08 ó 7.62 cm (2 ó 3 plg.)	Automática	8.53 m (28 pies)
*LE72M	3/4	208-230	1	6	5.08 cm (2 plg.)	5.08 ó 7.62 cm (2 ó 3 plg.)	Manual*	8.53 m (28 pies)
*LE73M	3/4	208-230	3	4.1	5.08 cm (2 plg.)	5.08 ó 7.62 cm (2 ó 3 plg.)	Manual*	8.53 m (28 pies)
*LE74M	3/4	440-480	3	2.1	5.08 cm (2 plg.)	5.08 ó 7.62 cm (2 ó 3 plg.)	Manual*	8.53 m (28 pies)
LE102A	1	208-230	1	7	5.08 cm (2 plg.)	5.08 ó 7.62 cm (2 ó 3 plg.)	Automática	10.97 m (36 pies)
*LE102M	1	208-230	1	7	5.08 cm (2 plg.)	5.08 ó 7.62 cm (2 ó 3 plg.)	Manual*	10.97 m (36 pies)
*LE103M	1	208-230	3	5.3	5.08 cm (2 plg.)	5.08 ó 7.62 cm (2 ó 3 plg.)	Manual*	10.97 m (36 pies)
*LE104M	1	440-480	3	2.5	5.08 cm (2 plg.)	5.08 ó 7.62 cm (2 ó 3 plg.)	Manual*	10.97 m (36 pies)
*LE105M	1	575	3	1.9	5.08 cm (2 plg.)	5.08 ó 7.62 cm (2 ó 3 plg.)	Manual*	10.97 m (36 pies)
NOTA: las bombas de elevación Serie LEH 100 requieren una altura mínima de 4.57 m (15 pies).								
LEH102A	1	208-230	1	12	5.08 cm (2 plg.)	5.08 ó 7.62 cm (2 ó 3 plg.)	Automática	16.15 m (53 pies)
*LEH102M	1	208-230	1	12	5.08 cm (2 plg.)	5.08 ó 7.62 cm (2 ó 3 plg.)	Manual*	16.15 m (53 pies)
*LEH103M	1	208-230	3	9	5.08 cm (2 plg.)	5.08 ó 7.62 cm (2 ó 3 plg.)	Manual*	16.15 m (53 pies)
*LEH104M	1	440-480	3	4.5	5.08 cm (2 plg.)	5.08 ó 7.62 cm (2 ó 3 plg.)	Manual*	16.15 m (53 pies)
*LEH105M	1	575	3	3.3	5.08 cm (2 plg.)	5.08 ó 7.62 cm (2 ó 3 plg.)	Manual*	16.15 m (53 pies)
NOTA: las bombas de elevación Serie LEH 150 y 200 requieren una altura mínima de 6.09 m (20 pies).								
LEH152A	1.5	208-230	1	15	5.08 cm (2 plg.)	5.08 ó 7.62 cm (2 ó 3 plg.)	Automática	21.34 m (70 pies)
*LEH152M	1.5	208-230	1	15	5.08 cm (2 plg.)	5.08 ó 7.62 cm (2 ó 3 plg.)	Manual*	21.34 m (70 pies)
*LEH153M	1.5	208-230	3	10.6	5.08 cm (2 plg.)	5.08 ó 7.62 cm (2 ó 3 plg.)	Manual*	21.34 m (70 pies)
*LEH154M	1.5	440-480	3	5.3	5.08 cm (2 plg.)	5.08 ó 7.62 cm (2 ó 3 plg.)	Manual*	21.34 m (70 pies)
*LEH155M	1.5	575	3	4.9	5.08 cm (2 plg.)	5.08 ó 7.62 cm (2 ó 3 plg.)	Manual*	21.34 m (70 pies)
*LEH202M	2	230	1	18	5.08 cm (2 plg.)	5.08 ó 7.62 cm (2 ó 3 plg.)	Manual*	25.30 m (83 pies)
*LEH203M	2	208-230	3	13.2	5.08 cm (2 plg.)	5.08 ó 7.62 cm (2 ó 3 plg.)	Manual*	25.30 m (83 pies)
*LEH204M	2	440-480	3	6.6	5.08 cm (2 plg.)	5.08 ó 7.62 cm (2 ó 3 plg.)	Manual*	25.30 m (83 pies)
*LEH205M	2	575	3	5.5	5.08 cm (2 plg.)	5.08 ó 7.62 cm (2 ó 3 plg.)	Manual*	25.30 m (83 pies)

\* **Nota:** los modelos manuales (con el sufijo M) requieren un dispositivo o panel de control aprobado independiente para funcionar automáticamente. El funcionamiento de estos modelos dependerá del control seleccionado. Las especificaciones eléctricas del control seleccionado tendrán que corresponder con las de la bomba. Los modelos trifásicos requieren elementos de sobrecarga seleccionados o ajustados para cumplir con las instrucciones del panel o control.

## 2. La cubeta

**Si ya se instaló la cubeta, se puede proseguir con la instalación de la bomba.**

La cubeta que se usa con sistemas efluentes y de saneamiento tiene que estar sellada y ventilada de acuerdo a los códigos de sanidad y fontanería. La bomba no se deberá instalar en un lugar clasificado como peligroso por el código eléctrico nacional (NEC) de Estados Unidos, ANSI/NFPA 70. El diámetro mínimo es de 5.48 m (18 pies) y la profundidad de 60.96 cm (24 plg.). (Estos son los requisitos mínimos. Los códigos locales y el número de accesorios instalados en el sistema deberán servir de guía para decidir si se necesita una cubeta mayor en ambos tipos de aplicaciones. Dirijase a las autoridades locales o a Liberty Pumps si necesita confirmar el tamaño de cubeta que necesita.) La instalación se deberá realizar a una profundidad suficiente para que todas las cañerías estén por debajo de la línea de penetración de la helada. Si esto no fuera posible, desmonte la válvula de retención y modifique el tamaño de la cubeta o ajuste el diferencial de la bomba para acomodar el contraflujo adicional.

A. **Excavación:** excave un hoyo tan pequeño como sea posible, dejando un espacio libre de alrededor de 20.32 cm (8 plg.) como mínimo alrededor del tanque. No coloque la cubeta en contacto directo con rocas ni objetos cortantes. Instale gravilla fina de 0.31-1.90 cm (1/8-3/4 plg.) o piedra pulverizada fina y lavada de 0.31-1.27 cm (1/8-1/2 plg.) entre la cubeta y las paredes del hoyo. No utilice arena ni tierra del suelo como relleno. Compacte la superficie sobre la que se asentará la cubeta para que quede sólida y nivelada y pueda soportar el peso de la misma.

B. **Conexión de la tubería de admisión y relleno inicial:** instale gravilla fina de 0.31-1.90 cm (1/8-3/4 plg.) o piedra pulverizada fina y lavada de 0.31-1.27 cm (1/8-1/2 plg.) alrededor del fondo de la cubeta para sujetarla en su sitio. No utilice arena ni tierra del suelo como relleno. Instale las tuberías de admisión que necesite su modelo de cubeta.

**Serie Liberty P370 y P380:** las cubetas de la Serie Liberty P370 y P380 tienen una admisión de 10.16 cm (4 plg.) a un lado del tanque. Está hecha para conectar manguitos sin boca de admisión de 10.16 cm. Conecte la línea de drenaje por gravedad de los accesorios a esta admisión.

**Otras cubetas:** otras cubetas Liberty llevan una boca de calafateo o una arandela para tuberías. Con las bocas de admisión se utiliza material de calafateo o guarniciones de caucho, mientras que la tubería se conecta directamente en el caso de la arandela. Conecte la línea de drenaje por gravedad de los accesorios a esta admisión. (Existen otros tamaños de admisión. Consulte con la fábrica.)

C. **Relleno final:** el relleno no debe contener rocas, terrones y otros objetos foráneos. Sólo se recomienda usar gravilla fina de 0.31-1.90 cm (1/8-3/4 plg.) o piedra pulverizada fina y lavada de 0.31-1.27 cm (1/8-1/2 plg.). No utilice arena ni tierra del suelo como relleno. Forme un ligero montículo con el relleno y deje que se asiente naturalmente. Deberá dejarse acceso a la tapa para tareas de mantenimiento y servicio.



**PRECAUCIÓN**

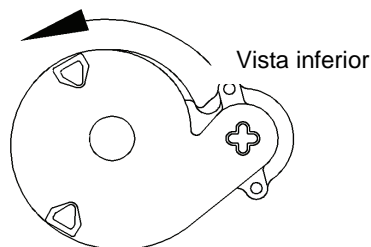
**No ejerza una presión excesiva ni trabaje con equipo pesado encima del material de relleno, ya que esto podría hacer colapsar el tanque.**

## 3. Instalación de la bomba



**PRECAUCIÓN**

En el caso de una bomba trifásica, compruebe que la rotación vaya en la dirección correcta antes de instalarla en la cubeta. (Fig. 1).



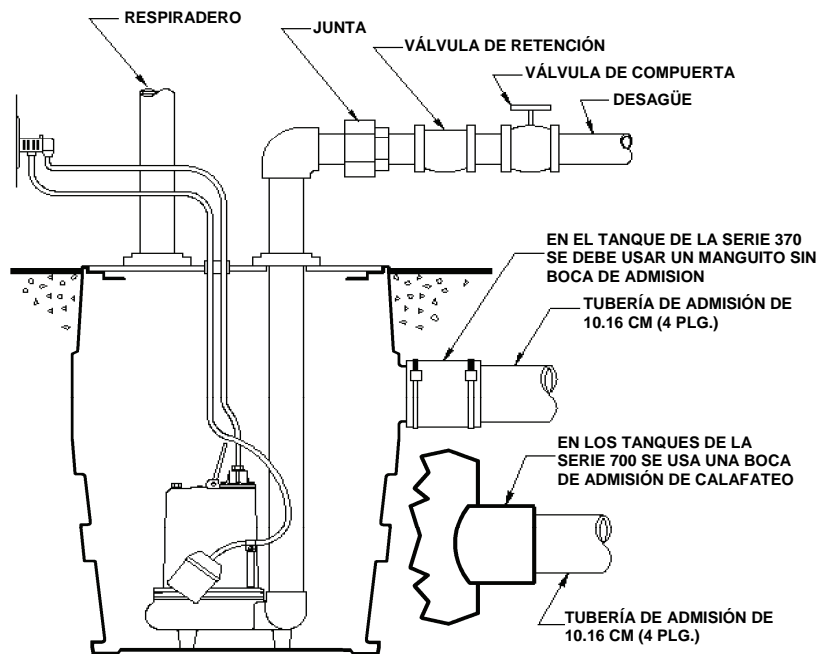
Si se trata de una bomba trifásica, compruebe que la rotación vaya en la dirección correcta antes de instalarla en la cubeta. Invierta dos de los tres conectores de alimentación de la bomba para cambiar la rotación. Marque los cables después de la instalación para poder volver a conectarlos.

**Fig. 1 – Rotación correcta del rotor, modelos trifásicos**

Los sistemas de saneamiento preensamblados de Liberty vienen con la bomba ya montada en la cubeta. La tubería, o tuberías, de desagüe ya sale de la tapa y se puede conectar de inmediato a la línea de desagüe. Si su sistema está preensamblado, se puede saltar los pasos A y B que siguen a continuación.

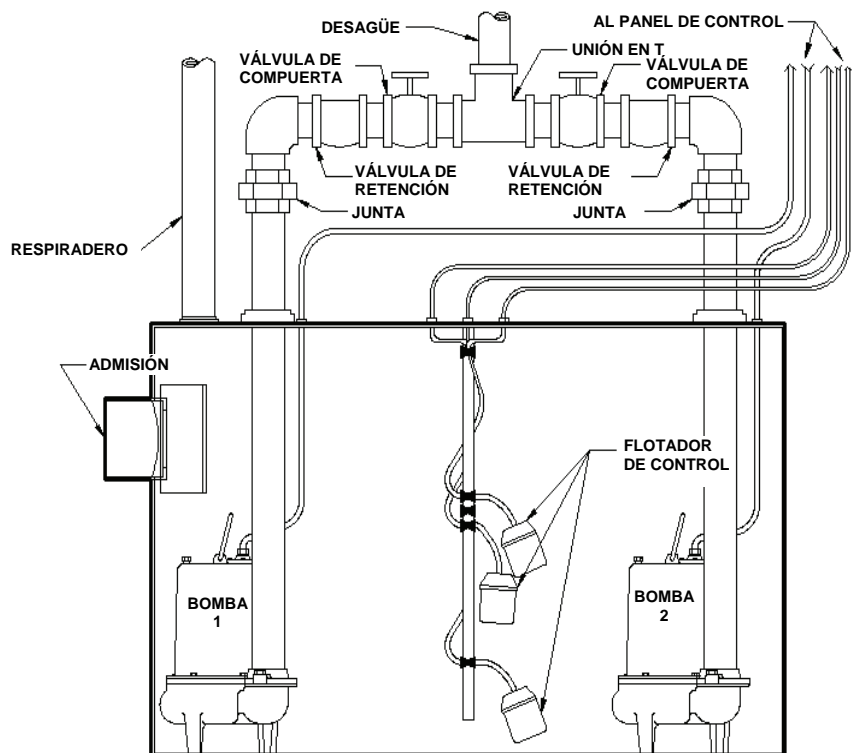
A. **Sistemas simples (una bomba) (Fig. 2):** instale la bomba de forma que haya espacio suficiente entre las paredes de la cubeta y el flotador. Si se va a utilizar un flotador o dispositivo de control siga las instrucciones que lo acompañan. El nivel mínimo de apagado de la bomba no se debe fijar por debajo de los 15.24 cm (6 plg.). Conecte la tubería de desagüe a la salida roscada de la bomba. **IMPORTANTE: no reduzca el tamaño de la tubería de desagüe por debajo del tamaño de la salida de la bomba.** En las bombas de saneamiento no debe ser inferior a 5.08 cm (2 plg.). En ciertos casos hará falta aumentar el tamaño de la tubería para reducir las pérdidas por fricción. Comuníquese con Liberty Pumps o con una persona calificada si tiene alguna pregunta sobre el tamaño de la tubería y el caudal. Monte la tapa en la cubeta y séllela bien. (Esta es sólo la instalación recomendada. Pueden presentarse variaciones.)

**Fig. 2 – Instalación típica de un sistema simple**  
Esta es sólo la instalación recomendada. Pueden presentarse variaciones.



B. **Sistemas dúplex (dos bombas) (vea la Fig. 3):** coloque ambas bombas en el fondo de la cubeta. El control de dúplex incluye 3 ó 4 flotadores conectados a una de las tuberías de desagüe o a una varilla independiente colgada de la tapa. Siga las instrucciones del control dúplex. El nivel mínimo de apagado de la bomba no se debe fijar por debajo de los 15.24 cm (6 plg.). Los flotadores tienen que poder moverse libremente. Conecte una tubería de desagüe distinta a cada bomba. **IMPORTANTE: no reduzca el tamaño de la tubería de desagüe por debajo del tamaño de la salida de la bomba.** En las bombas de saneamiento no debe ser inferior a 5.08 cm (2 plg.). En ciertos casos hará falta aumentar el tamaño de la tubería para reducir las pérdidas por fricción. Comuníquese con Liberty Pumps o con una persona calificada si tiene alguna pregunta sobre el tamaño de la tubería y el caudal. Para evitar el reciclaje de líquidos en instalaciones dúplex, habrá que instalar una válvula de retención en cada línea de desagüe antes de unir los dos desagües en una línea común. Estas válvulas se pueden instalar dentro o fuera de la cubeta dependiendo del tamaño de esta última. Instale las tapas de la cubeta y séllelas apropiadamente.

**Fig. 3 – Instalación típica de un sistema dúplex**  
Esta es sólo la instalación recomendada. Pueden presentarse variaciones.



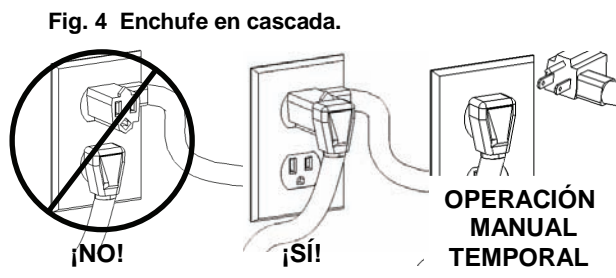
- C. **Instalación del resto del desagüe (simple):** cuando haya instalado y sellado la tapa, instale el resto del desagüe. La junta se deberá ubicar encima de la tapa para facilitar el desmontaje de la bomba si fuera necesario. Se recomienda instalar una válvula de retención después de la junta para evitar contraflujos después de un ciclo de bombeo. A continuación de la válvula de retención se deberá instalar una válvula de compuerta para poder limpiar periódicamente la de retención y desmontar la bomba. El resto del desagüe deberá ser tan corto como sea posible con el mínimo número de giros para evitar la pérdida de carga por rozamiento. El desagüe no se deberá restringir por debajo de los 5.08 cm (2 plg.) en sistemas de saneamiento. En algunos casos se requerirán tuberías más anchas para evitar las pérdidas de carga por rozamiento en trayectos largos. Comuníquese con Liberty Pumps o con una persona calificada si tiene alguna pregunta sobre el tamaño de la tubería y el caudal. **Ventilación:** en la parte superior de la tapa hay una conexión que se debe conectar con una tubería a la tubería de ventilación del edificio o extenderse al exterior con su propia tubería. El tamaño de la tubería de ventilación deberá cumplir los códigos locales, pero nunca podrá ser inferior al tamaño del desagüe. **Las bombas de las Series LE y LEH llevan un purgador para evitar barreras de aire. Es normal que salga una pequeña cantidad de agua pulverizada por este orificio cuando la bomba está en funcionamiento.**
- D. **Instalación del resto del desagüe (dúplex):** las juntas y los conectores flexibles se deben instalar encima de la cubierta en cada desagüe para facilitar el desmontaje de la bomba si es necesario. Se deben instalar válvulas de charnela de flujo libre en cada desagüe después de la junta y antes de la válvula de compuerta para evitar contraflujos de líquido o gas. Para evitar que el líquido de una bomba pase a la otra, será necesario instalar una válvula de retención en cada desagüe antes de unirlos en una línea común. A continuación de la válvula de retención se deberá instalar una válvula de compuerta para poder limpiar periódicamente la de retención y desmontar la bomba. El resto del desagüe deberá ser tan corto como sea posible con el mínimo número de giros para evitar la pérdida de carga por rozamiento. El desagüe no se deberá restringir por debajo de los 5.08 cm (2 plg.) en sistemas de saneamiento. En algunos casos se requerirán tuberías más anchas para evitar las pérdidas de carga por rozamiento en trayectos largos. Comuníquese con Liberty Pumps o con una persona calificada si tiene alguna pregunta sobre el tamaño de la tubería y el caudal. **Ventilación:** en la parte superior de la unidad hay una conexión para la tubería de ventilación. Esta tubería se deberá conectar a la ventilación del edificio o extenderse al exterior con su propia tubería. El tamaño de la tubería de ventilación deberá cumplir los códigos locales, pero nunca podrá ser inferior al tamaño del desagüe. **Las bombas de las Series LE y LEH llevan un purgador para evitar barreras de aire. Es normal que salga una pequeña cantidad de agua pulverizada por este orificio cuando la bomba está en funcionamiento.**

## 4. Servicio eléctrico y operación

### ⚠ ADVERTENCIA

- **Riesgo de electrocución.** Desenchufe la bomba siempre que vaya a moverla o a realizar algún ajuste.
- Sólo personal calificado podrá encargarse de instalar las conexiones y cables eléctricos necesarios para montar la bomba.
- Esta unidad lleva un conector a tierra y un enchufe tomacorriente con conexión a tierra. Para reducir el riesgo de electrocución, el conector de puesta a tierra tiene que estar conectado a un panel de control a tierra o si lleva un enchufe a tierra tendrá que enchufarse a un tomacorrientes conectado a tierra.
- NO derive los cables de puesta a tierra ni retire las espigas a tierra de los enchufes.
- NO quite el cordón ni la protección contra tirones, y no conecte canal para cables a la bomba.
- NO use cables prolongadores.
- Con esta bomba hay que utilizar un circuito derivado independiente conectado a tierra y fusibleado. La fuente de potencia tendrá que tener suficiente capacidad para cumplir los requisitos de tensión e intensidad del motor, indicados en la placa de la bomba.
- El tomacorrientes o panel deberá encontrarse al alcance del cable de potencia de la bomba y a 1.20 metros (4 pies) como mínimo por encima del piso para evitar problemas en caso de inundación.
- Se deberá instalar la unidad según las disposiciones del código eléctrico nacional (NEC) de Estados Unidos y todos los códigos y regulaciones locales que correspondan.

**Todos los modelos A de la Serie LE** (bombas automáticas) vienen equipados con un interruptor de flotador montado en la bomba misma. Estos modelos llevan dos cables: uno al interruptor de flotador y el otro



al motor. El cable del interruptor lleva un interruptor en serie, o cascada, en el que se puede enchufar el cable del motor (vea la Fig. 4). Esto permite la operación manual de la bomba.

**Si se quiere activar la operación automática** con el interruptor de Liberty, se deberán interconectar los dos cables y enchufarse a un tomacorrientes con toma a tierra y fusibleado independiente y el amperage apropiado para su modelo. (Consulte la Sección 1, Información general, o la placa de la bomba para informarse de las especificaciones eléctricas de su modelo.) Ambos cables llevan enchufes de 3 espigas y se deben enchufar en un tomacorrientes trifilar con toma a tierra. **NO DESMONTE LAS ESPIGAS A TIERRA.**

**Si se prefiere la operación manual**, o falla el interruptor, el cable de la bomba se puede separar y enchufar en un tomacorrientes, evitando de esta manera el interruptor. Las bombas unifase de 208-230V sólo se deben operar sin el flotador con un disyuntor o panel de desconexión. No deje que la bomba funcione en seco por períodos prolongados.

El nivel de encendido de los modelos A de la Serie LE es de entre 30.48 y 40.64 cm. (12 a 16 plg.) por encima del fondo de la cubeta. El nivel de apagado es de 15.24 cm ( 6 plg.) por encima del fondo de la cubeta. Para obtener otros diferenciales de bombeo se puede amarrar el cable del interruptor a la tubería de desagüe. **NOTA:** se requiere un cable de 8.89 cm (3.5 plg.) desde el punto de amarre hasta la superficie superior del flotador para que el interruptor funcione correctamente. Si se va a utilizar un diferencial distinto al de fábrica, se deberá ajustar de forma que la bomba se apague cuando queden 15.24 cm (6 plg.) como mínimo de líquido en la cubeta para que el rotor permanezca sumergido en todo momento.

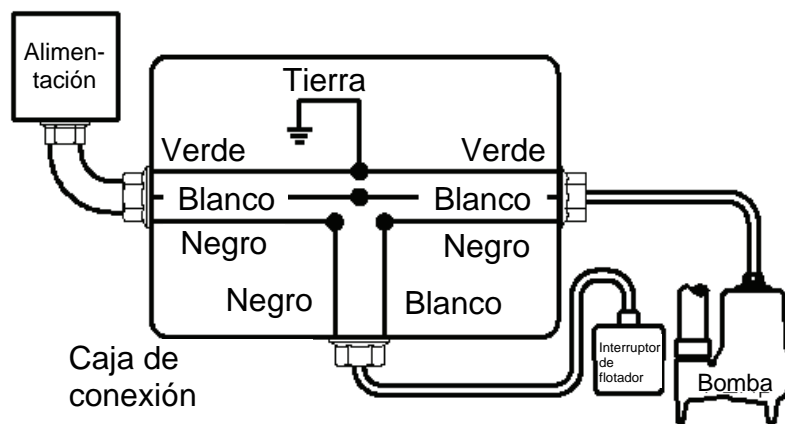
**Las bombas de la Serie LE con la designación M** son modelos manuales sin interruptor. Funcionan con un control de nivel de líquido o control de motor aprobado con el valor nominal correcto que corresponda con la entrada del motor en amperios a carga total. Los modelos trifásicos requieren un control de motor aprobado que corresponda con la entrada del motor en amperios a carga total con elementos de sobrecarga seleccionados o ajustados según las instrucciones del control.

**Operación automática con dispositivos de control opcionales:** si la bomba va a funcionar con un panel de control simple o doble u otro dispositivo de control opcional, siga las instrucciones de instalación del control en cuestión y establezca las conexiones eléctricas indicadas. Algunos modelos pueden funcionar sin un control independiente. Las bombas unifase de 208-230V sólo se deben operar sin el flotador con un disyuntor o panel de desconexión. No deje que la bomba funcione en seco por períodos prolongados.

**Modelos A y M de la Serie LE:** si la bomba va a estar cableada directamente a un dispositivo de control o caja de conexión y se hace necesario retirar los enchufes, la labor la deberá llevar a cabo un electricista certificado según el código eléctrico nacional de Estados Unidos y los códigos locales. Vea la fig. 5 para informarse del cableado directo de bombas unifase automáticas .

**Fig. 5 – Cableado directo de bombas unifase automáticas de 115V o 208-230V**

En instalaciones de 208-230V, uno de los extremos de la línea que va a la bomba siempre lleva energía, aunque el flotador no esté encendido. Instale un desconectador bipolar cerca de la bomba para evitar riesgos.





## 5. Mantenimiento y diagnóstico de problemas



**Riesgo de electrocución.** Desenchufe la bomba siempre que vaya a moverla o a realizar algún ajuste.

Problema	Causa	Solución
La bomba no funciona.	<ul style="list-style-type: none"> <li>Se ha fundido un fusible o el flujo eléctrico se ha visto interrumpido de algún otro modo; tensión incorrecta.</li> </ul>	<ul style="list-style-type: none"> <li>Compruebe que la bomba esté enchufada. Haga que un electricista compruebe que todos los cables estén correctamente conectados y la capacidad sea la necesaria.</li> </ul>
	<ul style="list-style-type: none"> <li>El interruptor no puede cambiar a la posición de encendido por culpa de una interferencia con el lateral del tanque u otra obstrucción.</li> </ul>	<ul style="list-style-type: none"> <li>Coloque la bomba o el interruptor de forma que pueda funcionar libremente.</li> </ul>
	<ul style="list-style-type: none"> <li>Líquido insuficiente.</li> </ul>	<ul style="list-style-type: none"> <li>El líquido debe subir lo suficiente como para activar el interruptor.</li> </ul>
	<ul style="list-style-type: none"> <li>Interruptor defectuoso.</li> </ul>	<ul style="list-style-type: none"> <li>Reemplace el interruptor.</li> </ul>
La bomba no se apaga.	<ul style="list-style-type: none"> <li>El interruptor no puede cambiar a la posición de apagado por culpa de una interferencia con el lateral del tanque u otra obstrucción.</li> </ul>	<ul style="list-style-type: none"> <li>Coloque la bomba o el interruptor de forma que pueda funcionar libremente.</li> </ul>
	<ul style="list-style-type: none"> <li>Interruptor defectuoso.</li> </ul>	<ul style="list-style-type: none"> <li>Reemplace el interruptor.</li> </ul>
La bomba funciona o zumba pero no bombea.	<ul style="list-style-type: none"> <li>El desagüe está atascado.</li> </ul>	<ul style="list-style-type: none"> <li>Compruebe que no haya atascos en la línea de desagüe, como puede ser hielo si la línea pasa por áreas frías.</li> </ul>
	<ul style="list-style-type: none"> <li>Compruebe que la válvula no se haya quedado cerrada o esté instalada al revés.</li> </ul>	<ul style="list-style-type: none"> <li>Saque la válvula de retención y asegúrese de que funciona sin impedimentos y fue instalada correctamente.</li> </ul>
	<ul style="list-style-type: none"> <li>La válvula de compuerta/bola está cerrada .</li> </ul>	<ul style="list-style-type: none"> <li>Abra la válvula de compuerta o de bola .</li> </ul>
	<ul style="list-style-type: none"> <li>La elevación total es superior a la capacidad de la bomba.</li> </ul>	<ul style="list-style-type: none"> <li>Dirija las tuberías a una altura inferior. Si esto no es posible, necesitará adquirir otra bomba de mayor capacidad. <b>Consulte con la fábrica.</b></li> </ul>
	<ul style="list-style-type: none"> <li>El rotor de la bomba está atascado o la cubierta de voluta está taponada.</li> </ul>	<ul style="list-style-type: none"> <li>*Saque la bomba de la cubeta. Separe la base de la bomba y limpie la zona que rodea al rotor. Monte la bomba y vuélvala a instalar.</li> </ul>
La bomba se pone a funcionar cuando la maquinaria no está en uso.	<ul style="list-style-type: none"> <li>No hay instalada una válvula de retención, se queda abierta o tiene una fuga.</li> </ul>	<ul style="list-style-type: none"> <li>Saque la válvula de retención y asegúrese de que funciona sin impedimentos y fue instalada correctamente.</li> </ul>
	<ul style="list-style-type: none"> <li>Las piezas gotean.</li> </ul>	<ul style="list-style-type: none"> <li>Repare las piezas para eliminar las fugas.</li> </ul>
La bomba hace demasiado ruido.	<ul style="list-style-type: none"> <li>Material foráneo en la cavidad del rotor.</li> </ul>	<ul style="list-style-type: none"> <li>*Saque la bomba de la cubeta. Separe la base de la bomba y limpie la zona que rodea al rotor. Monte la bomba y vuélvala a instalar.</li> </ul>
	<ul style="list-style-type: none"> <li>Rotor roto.</li> </ul>	<ul style="list-style-type: none"> <li>La fábrica le puede informar sobre cómo reemplazar el rotor.</li> </ul>
	<ul style="list-style-type: none"> <li>Cojinetes desgastados.</li> </ul>	<ul style="list-style-type: none"> <li>Envíe la bomba a reparar a la fábrica o a un centro de reparación autorizado.</li> </ul>
	<ul style="list-style-type: none"> <li>Las conexiones de las tuberías al edificio son demasiado rígidas.</li> </ul>	<ul style="list-style-type: none"> <li>Cambie una parte de la línea de desagüe con una manguera o conector de caucho.</li> </ul>

## 6. Garantía limitada de 2 años

**\*NOTA:** Liberty Pumps, Inc. no asume ninguna responsabilidad por desperfectos o lesiones resultantes del desmontaje de la bomba en el campo. Si el desmontaje de la bomba no lo lleva a cabo Liberty Pumps o uno de sus centros de servicio autorizados, la garantía quedará anulada.

Liberty Pumps, Inc. garantiza que las bombas que fabrica están libres de defectos en los materiales y la mano de obra por un período de 2 años a partir de la fecha de compra. La fecha de compra se determinará con el recibo de compra fechado, que incluya el modelo y el número de serie de la bomba. Este recibo deberá acompañar a la bomba si la fecha de devolución ocurre más de 2 años después de la fecha de fabricación (código-CODE) indicada en la placa de la unidad.

Las obligaciones del fabricante bajo esta garantía se limitarán a la reparación o el reemplazo de las piezas que el fabricante determine que son defectuosas, siempre que la pieza o el ensamblaje se devuelva con el porte pagado al fabricante o a uno de sus centros de servicio autorizados y que no se evidencie ninguna de las siguientes características, lo que supondría la anulación de la garantía.

El fabricante no tendrá obligación alguna bajo esta garantía si el producto no ha sido instalado correctamente; si ha sido desmontado, modificado, abusado o forzado; si el cordón eléctrico se ha cortado, dañado o empalmado; si se redujo el tamaño de la descarga de la bomba; si la bomba se usó con agua más caliente de la temperatura nominal, o agua con arena, cal, cemento, grava u otros elementos abrasivos; si se utilizó para bombear productos químicos o hidrocarburos; si un motor no sumergible fue sometido a exceso de humedad; o si se retiró la etiqueta con el número de serie, modelo y código. Liberty Pumps, Inc. no se hace responsable de pérdidas, daños o gastos que resulten por la instalación o uso de sus productos, o por daños emergentes, incluidos los costos de desmontar, reinstalar o transportar la unidad.

No se ofrece ninguna otra garantía expresa. Todas las garantías implícitas, incluidas las de comerciabilidad y adecuación para un propósito determinado, están limitadas a un plazo de dos años a partir la fecha de compra.

Esta garantía representa el único remedio del comprador y, siempre que se permita, se excluye toda responsabilidad por daños emergentes y fortuitos bajo toda otra garantía.



7000 Apple Tree Avenue  
Bergen, NY 14416  
Teléfono: (800) 543-2550  
Fax: (585) 494-1839  
[www.libertypumps.com](http://www.libertypumps.com)

## Pompes de relèvement des eaux usées, séries LE et LEH

\*Ne pas jeter ni perdre ce manuel.

### Modèles

Série LE40	4/10 HP
Série LE50	1/2 HP
Série LE70	3/4 HP
Série LE100	1 HP
Série LEH100	1 HP
Série LEH150	1.5 HP
Série LEH200	2 HP



### Table des matières

- 1.) Renseignements généraux
- 2.) Le bassin
- 3.) Installation
- 4.) Entretien et fonctionnement des composants électriques
- 5.) Entretien et dépannage
- 6.) Garantie

#### IMPORTANT :

Avant l'installation, noter les numéros de modèle, de série et de code qui figurent sur la plaque signalétique pour éventuellement s'y référer.

MODÈLE \_\_\_\_\_

SÉRIE \_\_\_\_\_

CODE \_\_\_\_\_

DATE  
D'INSTALLATION \_\_\_\_\_

**Liberty Pumps®**

7000, avenue Apple Tree  
Bergen (NY) 14416  
Téléphone : (800) 543-2550  
Télécopieur : (585) 494-1839  
www.libertypumps.com



# 1. Renseignements généraux

Lire attentivement les directives avant d'effectuer l'installation. Chaque pompe de marque Liberty est testée individuellement en usine pour assurer un bon fonctionnement. Le fait de suivre ces directives à la lettre éliminera les risques de problèmes de fonctionnement et assurera des années de service sans soucis.

## MISE EN GARDE

- **Danger d'électrocution.** Toujours débrancher la pompe de l'alimentation électrique avant de la manipuler ou d'y effectuer des réglages.
- Les raccords électriques et le câblage pour l'installation de la pompe ne devraient être effectués que par des professionnels qualifiés.
- Cette pompe est fournie avec un conducteur de mise à la terre et une fiche de branchement de type mise à la terre. Afin de réduire les dangers d'électrocution, s'assurer que celle-ci est raccordée seulement à une prise de 15 ampères correctement mise à la terre.
- Toujours porter des bottes de caoutchouc lorsqu'il y a de l'eau sur le plancher et qu'il est nécessaire de débrancher la pompe.
- NE PAS dévier les fils de mise à la terre ou retirer la broche de mise à la terre des fiches de branchement.
- NE PAS utiliser de rallonge.
- Cette pompe nécessite un circuit de dérivation dédié correctement protégé par un fusible et mis à la terre. S'assurer que la tension et l'intensité du courant électrique de la source d'alimentation électrique sont suffisantes pour répondre aux exigences de la pompe, telles qu'indiquées sur la plaque signalétique.
- La prise électrique doit se trouver à la portée du cordon d'alimentation de la pompe et à au moins 1,2 m (4 pi) au-dessus du niveau du plancher pour minimiser les dangers possibles pouvant être causés par une inondation.
- L'installation doit être faite en respectant le Code national de l'électricité, le Uniform Plumbing Code, le Code international de plomberie ainsi que tous les codes locaux et règlements en vigueur.
- Les pompes d'assèchement et de système d'égout traitent souvent des matières pouvant causer des maladies. Porter des vêtements protecteurs adéquats pour manipuler une pompe ou de la tuyauterie ayant déjà servi.
- Ne jamais pénétrer dans le réservoir de pompage après qu'il ait servi. Les égouts et effluents peuvent émettre des gaz toxiques.
- Demeurer à l'écart des ouvertures d'aspiration et d'évacuation. Afin de prévenir les blessures, ne jamais insérer les doigts dans la pompe alors qu'elle est branchée.
- NE PAS utiliser ce produit pour pomper des liquides inflammables ou corrosifs.
- NE PAS utiliser ce produit pour les installations où le contact humain avec les liquides pompés est fréquent (piscines, fontaines, etc.)
- NE JAMAIS disposer de matériaux comme du solvant à peinture ou d'autres produits chimiques en les vidant dans l'avaloir, car ils peuvent attaquer chimiquement et endommager les composants de la pompe, causant éventuellement son mauvais fonctionnement ou sa défaillance.

## AVERTISSEMENT

- **NE PAS utiliser ces pompes dans de l'eau dont la température est supérieure à 60 °C (140 °F)**
- NE PAS utiliser de pompes avec de la boue, du sable, du ciment, du pétrole ou d'autres produits chimiques.
- NE PAS modifier les pompes, de quelque manière que ce soit.
- NE PAS soulever ou transporter la pompe par son cordon électrique.
- NE PAS retirer les étiquettes de la pompe ou des cordons.
- Si la pompe est installée durant la construction, avant que l'alimentation électrique ne soit disponible, il est important de la garder à l'abri afin d'empêcher que de l'eau ne pénètre par l'extrémité du cordon électrique, etc.

### Outils nécessaires :

- clé à tuyau;
- tournevis ordinaire;
- scie à métaux (pour remplacer ou retirer le tuyau rigide existant.)

### Retrait de l'ancienne pompe :

#### MISE EN GARDE

**Débrancher la pompe de sa source d'alimentation électrique avant d'en effectuer la manipulation.**

Séparer le tuyau d'évacuation vis-à-vis du clapet antiretour ou du raccord union. Si le tuyau d'évacuation en place ne comprend ni clapet antiretour ni raccord union, couper le tuyau avec une scie à métaux et retirer la pompe (il sera nécessaire d'installer un clapet antiretour ou un raccord union à l'endroit de cette coupure).

CARACTÉRISTIQUES DU MODÈLE								
Modèle	HP	Volts	Phase	Intensité maximale	Tolérance des solides	FNPT d'évacuation	Automatique ou manuel*	Hauteur de chute d'arrêt
LE41A	4/10	115	1	12	51 mm (2 po)	51 mm (2 po)	Automatique	5,8 m (19 pi)
*LE41M	4/10	115	1	12	51 mm (2 po)	51 mm (2 po)	Manuel*	5,8 m (19 pi)
LE51A	1/2	115	1	12	51 mm (2 po)	51 mm (2 po)	Automatique	7,6 m (25 pi)
*LE51M	1/2	115	1	12	51 mm (2 po)	51 mm (2 po)	Manuel*	7,6 m (25 pi)
LE52A	1/2	208-230	1	6,8	51 mm (2 po)	51 mm (2 po)	Automatique	7,6 m (25 pi)
*LE52M	1/2	208-230	1	6,8	51 mm (2 po)	51 mm (2 po)	Manuel*	7,6 m (25 pi)
LE71A	19 mm (3/4 po)	115	1	12	51 mm (2 po)	51 mm (2 po) ou 76 mm (3 po)	Automatique	8,5 m (28 pi)
*LE71M	19 mm (3/4 po)	115	1	12	51 mm (2 po)	51 mm (2 po) ou 76 mm (3 po)	Manuel*	8,5 m (28 pi)
LE72A	19 mm (3/4 po)	208-230	1	6	51 mm (2 po)	51 mm (2 po) ou 76 mm (3 po)	Automatique	8,5 m (28 pi)
*LE72M	19 mm (3/4 po)	208-230	1	6	51 mm (2 po)	51 mm (2 po) ou 76 mm (3 po)	Manuel*	8,5 m (28 pi)
*LE73M	19 mm (3/4 po)	208-230	3	4,1	51 mm (2 po)	51 mm (2 po) ou 76 mm (3 po)	Manuel*	8,5 m (28 pi)
*LE74M	19 mm (3/4 po)	440-480	3	2,1	51 mm (2 po)	51 mm (2 po) ou 76 mm (3 po)	Manuel*	8,5 m (28 pi)
LE102A	1	208-230	1	7	51 mm (2 po)	51 mm (2 po) ou 76 mm (3 po)	Automatique	11 m (36 pi)
*LE102M	1	208-230	1	7	51 mm (2 po)	51 mm (2 po) ou 76 mm (3 po)	Manuel*	11 m (36 pi)
*LE103M	1	208-230	3	5,3	51 mm (2 po)	51 mm (2 po) ou 76 mm (3 po)	Manuel*	11 m (36 pi)
*LE104M	1	440-480	3	2,5	51 mm (2 po)	51 mm (2 po) ou 76 mm (3 po)	Manuel*	11 m (36 pi)
*LE105M	1	575	3	1,9	51 mm (2 po)	51 mm (2 po) ou 76 mm (3 po)	Manuel*	11 m (36 pi)
REMARQUE : Les pompes de grande hauteur de la gamme LEH 100 requièrent une application avec hauteur d'élévation min. de 4,6 m (15 pi).								
LEH102A	1	208-230	1	12	51 mm (2 po)	51 mm (2 po) ou 76 mm (3 po)	Automatique	16,2 m (53 pi)
*LEH102M	1	208-230	1	12	51 mm (2 po)	51 mm (2 po) ou 76 mm (3 po)	Manuel*	16,2 m (53 pi)
*LEH103M	1	208-230	3	9	51 mm (2 po)	51 mm (2 po) ou 76 mm (3 po)	Manuel*	16,2 m (53 pi)
*LEH104M	1	440-480	3	4,5	51 mm (2 po)	51 mm (2 po) ou 76 mm (3 po)	Manuel*	16,2 m (53 pi)
*LEH105M	1	575	3	3,3	51 mm (2 po)	51 mm (2 po) ou 76 mm (3 po)	Manuel*	16,2 m (53 pi)
REMARQUE : Les pompes de grande hauteur de la gamme LEH 150 et 200 requièrent une application avec hauteur d'élévation minimum de 6,1 m (20 pi).								
LEH152A	1.5	208-230	1	15	51 mm (2 po)	51 mm (2 po) ou 76 mm (3 po)	Automatique	21,34m (70 pi)
*LEH152M	1.5	208-230	1	15	51 mm (2 po)	51 mm (2 po) ou 76 mm (3 po)	Manuel*	21,34m (70 pi)
*LEH153M	1.5	208-230	3	10,6	51 mm (2 po)	51 mm (2 po) ou 76 mm (3 po)	Manuel*	21,34m (70 pi)
*LEH154M	1.5	440-480	3	5,3	51 mm (2 po)	51 mm (2 po) ou 76 mm (3 po)	Manuel*	21,34m (70 pi)
*LEH155M	1.5	575	3	4,9	51 mm (2 po)	51 mm (2 po) ou 76 mm (3 po)	Manuel*	21,34m (70 pi)
*LEH202M	2	230	1	18	51 mm (2 po)	51 mm (2 po) ou 76 mm (3 po)	Manuel*	25,30m (83 pi)
*LEH203M	2	208-230	3	13,2	51 mm (2 po)	51 mm (2 po) ou 76 mm (3 po)	Manuel*	25,30m (83 pi)
*LEH204M	2	440-480	3	6,6	51 mm (2 po)	51 mm (2 po) ou 76 mm (3 po)	Manuel*	25,30m (83 pi)
*LEH205M	2	575	3	5,5	51 mm (2 po)	51 mm (2 po) ou 76 mm (3 po)	Manuel*	25,30m (83 pi)

\* **Remarque** : Les modèles manuels (suffixe « M »), tels que décrits ci-dessus, nécessitent un dispositif ou un panneau indépendant de commande de pompe approuvé pour fonctionner automatiquement. Le fonctionnement de ces modèles variera en fonction du dispositif de commande choisi. S'assurer que les caractéristiques électriques du dispositif de commande choisi correspondent bien aux caractéristiques de la pompe. Les modèles triphasés nécessitent que les éléments de protection contre la surcharge soient sélectionnés ou réglés conformément au mode d'emploi de la commande.

## 2. Le bassin

Si le bassin est déjà installé, passer à l'installation de la pompe.

Le bassin nécessaire pour les utilisations de pompage d'effluents et d'eau d'égout doit être étanche et ventilé afin de respecter les normes des codes de plomberie et de santé publique. Cette pompe ne doit pas être installée dans un endroit classé dangereux selon la norme ANSI/NFPA 70 du NEC. Il est nécessaire que le bassin ait un diamètre minimum de 45,7 cm (18 po) et une profondeur minimum de 61 cm (24 po). (Il s'agit d'exigences minimales. Il peut être nécessaire d'installer un plus grand bassin pour le pompage d'effluents ou d'égout, en fonction des codes locaux et du nombre d'accessoires qui sont raccordés au système. Vérifier auprès des autorités réglementaires locales ou communiquer avec Liberty Pumps en cas de doute au sujet de la taille du bassin qui convient.) L'installation doit être suffisamment profonde pour assurer que toute la plomberie se trouve sous la profondeur maximale de la pénétration du gel. Si c'est impossible, retirer le clapet antiretour et corriger la taille du bassin et/ou ajuster le différentiel du compartiment pour recevoir le volume supplémentaire de refoulement d'eau.

- A. **Excavation** : Creuser le trou le plus petit possible, avec un dégagement minimum recommandé de 20,32 cm (8 po) tout autour du réservoir. Ne jamais placer le bassin directement en contact avec des roches ou d'autres objets contondants. Placer uniquement du concassé fin lavé de 3 à 19 mm (1/8 à 3/4 po) ou 3 à 13 mm (1/8 à 1/2 po) comme matériau de remplissage entre le bassin et les parois du trou. Ne pas utiliser de sable ni de terre d'origine pour remplir le trou. Compacter convenablement sous le bassin afin de fournir une base solide et bien au niveau capable de supporter le poids du bassin, une fois rempli.
- B. **Raccordement de l'entrée et remplissage du trou** : Utiliser uniquement du concassé fin lavé de 3 à 19 mm (1/8 à 3/4 po) ou 3 à 13 mm (1/8 à 1/2 po) entre le fond du trou et le bassin, pour le maintenir en place. Ne pas utiliser de sable ni de terre d'origine pour remplir le trou. Raccorder l'arrivée des eaux usées au bassin selon les besoins.

**Série Pro370 et Pro 380 de Liberty** : Les bassins de la série Liberty P370 et P380 sont munis d'une ouverture d'admission de 4 po moulée dans le côté du réservoir. La dimension de cette entrée est faite pour convenir à un raccordement de 4 po sans emboîtement. Raccorder la canalisation d'écoulement provenant des accessoires à ce raccord.

### Autres bassins :

Les autres bassins de Liberty sont munis d'un emboîtement étanche ou d'un œillet à tuyau. Ces emboîtements comprennent un matériau à calfeutrer ou un anneau de caoutchouc; les œillets sont munis d'un ajustement glissant. Raccorder la canalisation d'écoulement provenant des accessoires à cette ouverture. (Il existe d'autres dimensions d'entrées – consulter le fabricant.)

- C. **Remplissage final** : Les grosses roches, les mottes et autres corps étrangers ne doivent pas être laissés dans le matériau de remplissage. Seul le concassé fin lavé de 3 à 19 mm (1/8 à 3/4 po) ou 3 à 13 mm (1/8 à 1/2 po) est recommandé comme matériau de remplissage. Ne pas utiliser de sable ni de terre d'origine pour remplir le trou. Faire un petit monticule avec le matériau de remplissage, afin de le laisser se tasser naturellement. Prévoir un accès au couvercle du bassin pour les travaux d'entretien et de réparation.



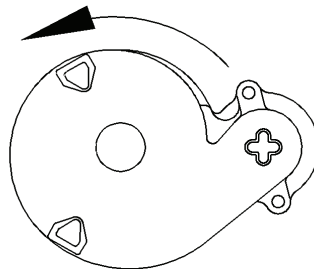
**Ne pas exercer de pression importante ni utiliser de matériau lourd sur le matériau de remplissage, car cela pourrait causer l'affaissement du réservoir.**

## 3. Installation de la pompe



Pour les pompes triphasées, vérifier la rotation adéquate avant d'installer la pompe dans son compartiment (voir fig. 1).

**Fig. 1 – Bonne rotation du rotor, modèles triphasés**



Vue inférieure

Vérifier la rotation adéquate des pompes triphasées avant de les installer dans le compartiment. Pour modifier la rotation, inverser n'importe laquelle des trois broches d'alimentation vers la pompe. Coder les fils pour reconnexion après l'installation.



d'évacuation. Il est conseillé d'installer un raccord union juste au-dessus du couvercle, pour faciliter le retrait de la pompe si nécessaire. On recommande l'installation d'un clapet antiretour après le raccord union afin de prévenir le refoulement du liquide après chaque cycle de la pompe. Un robinet-vanne doit suivre le clapet antiretour afin de permettre le nettoyage périodique du clapet antiretour ou le retrait de la pompe. Le reste de la canalisation d'évacuation devrait être le plus court possible et comporter un nombre minimum de virages, afin de réduire la perte de puissance due à la friction. Ne pas installer de tuyau d'évacuation d'une dimension inférieure à 5 cm (2 po) pour les systèmes d'égout. Des tuyaux plus grands peuvent être nécessaires pour éliminer la perte de puissance due à la friction sur les longs parcours. Communiquer avec Liberty Pumps ou un autre spécialiste pour toute question au sujet des dimensions des tuyaux et débits adéquats. **Évent** : Un raccordement est fourni au sommet du couvercle et il doit être relié à la colonne de ventilation secondaire du bâtiment ou dirigé vers l'extérieur par sa propre colonne montante. La dimension de l'évent doit respecter les codes en vigueur, mais ne jamais être inférieure à celle du tuyau d'évacuation. **Les pompes de la gamme LE et LEH sont munies d'un orifice d'évacuation de l'air pour éviter les poches d'air. Une légère vaporisation d'eau par cet orifice est normale lorsque la pompe fonctionne.**

- D. **Installation du tuyau d'évacuation qui reste (double)** : Il est conseillé d'installer des raccords unions ou flexibles juste au-dessus du couvercle de chaque tuyau d'évacuation, pour faciliter le retrait de la pompe si nécessaire. On recommande l'installation d'un clapet antiretour basculant à écoulement libre sur chaque tuyau d'évacuation, après le raccord union, afin de prévenir le refoulement de liquide ou de gaz. Pour éliminer la recirculation des liquides d'une pompe à l'autre, il est nécessaire d'installer un clapet antiretour sur chaque tuyau d'évacuation avant de raccorder les deux tuyaux à la canalisation commune. On recommande l'installation d'un robinet-vanne ou clapet à bille doit suivre le clapet antiretour afin de permettre le nettoyage périodique du clapet antiretour ou le retrait de la pompe. Le reste de la canalisation d'évacuation devrait être le plus court possible et comporter un nombre minimum de virages, afin de réduire la perte de puissance due à la friction. Ne pas installer de tuyau d'évacuation d'une dimension inférieure à 5 cm (2 po) pour les systèmes d'égout. Des tuyaux plus grands peuvent être nécessaires pour éliminer la perte de puissance due à la friction sur les longs parcours. Communiquer avec Liberty Pumps ou un autre spécialiste pour toute question au sujet des dimensions de tuyaux et débits adéquats.

**Évent** : Un raccord est fourni au sommet de l'installation pour raccorder le tuyau d'évent. Ce tuyau doit être relié à la colonne de ventilation secondaire du bâtiment ou dirigé vers l'extérieur par sa propre colonne montante. La dimension de l'évent doit respecter les codes locaux en vigueur, mais ne jamais être inférieure à celle du de tuyau d'évacuation. **Les pompes de la gamme LE et LEH sont munies d'un orifice d'évacuation de l'air pour éviter les poches d'air. Une légère vaporisation d'eau par cet orifice est normale lorsque la pompe fonctionne.**

## 4. Entretien et fonctionnement des composants électriques

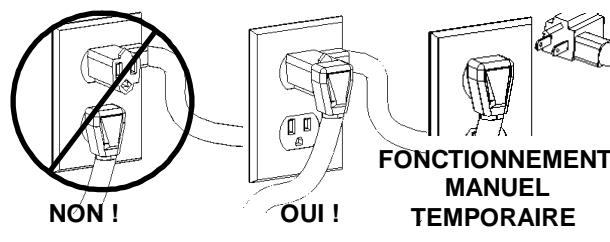
### MISE EN GARDE

- **Danger d'électrocution.** Toujours débrancher la pompe de l'alimentation électrique avant de la manipuler ou d'y effectuer des réglages.
- Les raccords électriques et le câblage pour l'installation de la pompe ne devraient être effectués que par des professionnels qualifiés.
- Cette pompe est fournie avec un conducteur de mise à la terre et une fiche de branchement de type mise à la terre. Afin de réduire les dangers d'électrocution, s'assurer que le conducteur de mise à la terre est raccordé seulement à un panneau de commande correctement mis à la terre, ou, s'il est muni d'une fiche avec mise à la terre, qu'elle est correctement mise à la terre.
- NE PAS dévier les fils de mise à la terre ou retirer les broches de mise à la terre des fiches de branchement.
- NE PAS retirer le cordon ni le réducteur de tension, et NE PAS raccorder la canalisation électrique à la pompe.
- NE PAS utiliser de cordon d'extension.
- Cette pompe nécessite un circuit de dérivation à part correctement protégé par un fusible et mis à la terre. S'assurer que la source d'alimentation électrique est suffisante pour répondre aux exigences de tension et d'intensité du courant électrique du moteur, tel qu'indiqué sur la plaque signalétique de la pompe.
- La prise électrique ou le panneau doit se trouver à la portée du cordon d'alimentation de la pompe et à au moins 1,2 m (4 pieds) au-dessus du niveau du plancher pour minimiser les dangers possibles pouvant être causés par une inondation.
- L'installation doit être faite en respectant le code national de l'électricité et tous les codes locaux et règlements en vigueur.



Tous les modèles de la gamme LE « A » (pompes automatiques) sont munis d'un interrupteur à flotteur fixé à la pompe en usine. Ces modèles sont munis de deux cordons : l'un relié à l'interrupteur à flotteur et l'autre au moteur de la pompe. Le cordon de l'interrupteur est muni d'un connecteur en série (siamois) permettant de brancher le cordon de la pompe (moteur) sur son dos (voir Fig. 4). Ce système a pour but de permettre le fonctionnement manuel de la pompe.

Fig. 4 Installation de prises siamoises.



Pour un fonctionnement automatique, les deux cordons doivent être interconnectés et branchés dans une prise d'une intensité en ampères suffisante pour le modèle de pompe choisi, avec fusibles indépendants et mise à la terre. (Voir section 1, Renseignements généraux, ou la plaque signalétique de la pompe pour connaître les caractéristique électriques du modèle.) Les deux cordons sont munis de fiches à trois broches et doivent être branchées dans une prise à trois ouvertures avec mise à la terre adéquate. NE PAS RETIRER LA BROCHE DE MISE À LA TERRE.

Pour permettre le fonctionnement manuel, ou en cas de défaillance de l'interrupteur, le cordon de la pompe peut être séparé et branché dans la prise électrique, en contournant directement l'interrupteur. On doit uniquement faire fonctionner les pompes 208-230 V monophasées sans l'interrupteur à flotteur en utilisant le disjoncteur ou l'interrupteur du panneau. Ne pas faire laisser la pompe fonctionner à sec pendant de longues périodes.

Le niveau de mise en marche des modèles de la gamme LE « A » est d'environ 30,5 cm à 40,6 cm (12 po à 16 po) au dessus du niveau du bassin. Le niveau d'arrêt de ces modèles est d'environ 15,2 cm (6 po) au dessus du niveau du bassin. On peut obtenir d'autres intervalles de pompage en attachant le cordon de l'interrupteur au tuyau d'évacuation. REMARQUE : Une longueur de cordon minimum de 8,9 cm (3,5 po) entre le point d'attache et le haut du flotteur est nécessaire au bon fonctionnement de l'interrupteur. Lorsqu'on utilise un intervalle différent de celui qui est réglé en usine, s'assurer que lorsque la pompe s'arrête, il reste au moins 15,2 cm (6 po) de liquide dans le bassin, de manière à ce que le rotor demeure submergé.

Les modèles de pompes de la gamme LE comportant la lettre « M » sont des modèles ne sont pas munis d'interrupteurs. Ils sont destinés à servir avec un dispositif de contrôle du niveau de liquide ou une commande de moteur dont la capacité correspond à l'intensité maximale du moteur. Les modèles triphasés nécessitent l'installation d'une commande de moteur dont la capacité correspond à l'intensité maximale du moteur dont les éléments de surcharge sont sélectionnés ou réglés conformément au mode d'emploi de la commande.

Fonctionnement automatique avec dispositifs de commande facultatifs : Si les pompes doivent fonctionner avec un panneau de commande en simple ou en double, ou d'autres dispositifs de commande facultatifs, suivre les directives d'installations fournies avec le dispositif de commande en question et faire les raccordements selon ce qui est recommandé. Si nécessaire, certains modèles peuvent fonctionner sans un dispositif de commande séparé. On doit uniquement faire fonctionner les pompes 208-230 V monophasées sans l'interrupteur à flotteur en utilisant le disjoncteur ou l'interrupteur du panneau. Ne pas faire laisser la pompe fonctionner à sec pendant de longues périodes.

Modèles « A » et « M » de la gamme LE : Si la pompe doit être branchée directement dans un dispositif de commande ou une boîte de connexion, et qu'il est nécessaire de retirer les fiches, faire faire le câblage par un électricien autorisé en respectant les normes du code national de l'électricité et de tous les codes locaux en vigueur. Voir fig. 5 pour les installations ompes monophasées automatiques.

**MISE EN GARDE**

Dans les installations 208-230 V, un côté du câble allant vers la pompe est toujours sous tension, que l'interrupteur du flotteur soit en position de marche ou d'arrêt. Pour éviter les risques d'électrocution, installer un interrupteur bipolaire près de l'installation de la pompe.

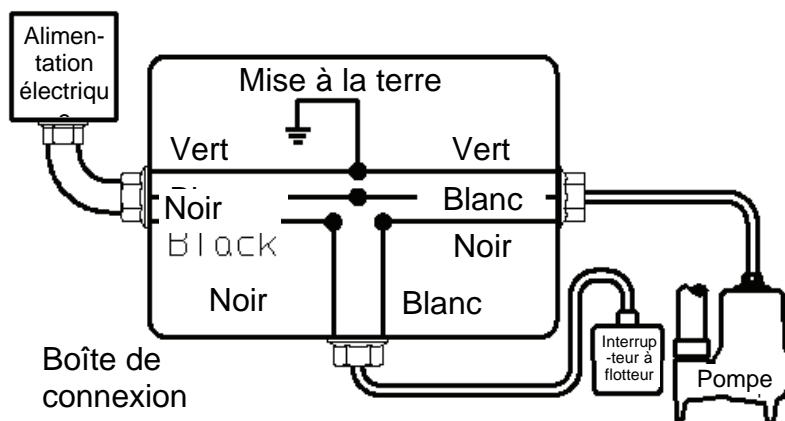


Fig. 5 – Câblage direct des pompes automatiques monophasées de 115 V ou 208-230 V

## 5. Entretien et dépannage



**Danger d'électrocution.** Toujours débrancher la pompe de l'alimentation électrique avant de la manipuler ou d'y effectuer des réglages.

Problème	Cause	Mesure correctrice
La pompe ne fonctionne pas.	<ul style="list-style-type: none"> <li>Fusible brûlé ou autre interruption d'alimentation; tension inadéquate.</li> </ul>	<ul style="list-style-type: none"> <li>S'assurer que le branchement de l'appareil est sécuritaire. Demander à un électricien de vérifier tous les câbles au niveau des branchements et de s'assurer que la capacité et l'intensité sont adéquates.</li> </ul>
	<ul style="list-style-type: none"> <li>* L'interrupteur ne peut se mettre en position de marche en raison de l'interférence du côté du bassin ou d'un autre type d'obstacle.</li> </ul>	<ul style="list-style-type: none"> <li>Placer la pompe ou l'interrupteur de manière à ce que le dégagement soit suffisant pour bien fonctionner.</li> </ul>
	<ul style="list-style-type: none"> <li>Niveau de liquide insuffisant.</li> </ul>	<ul style="list-style-type: none"> <li>S'assurer que le niveau de liquide peut s'élever suffisamment pour activer le(s) interrupteur(s).</li> </ul>
	<ul style="list-style-type: none"> <li>Interrupteur défectueux.</li> </ul>	<ul style="list-style-type: none"> <li>Remplacer l'interrupteur s'il est défectueux.</li> </ul>
La pompe refuse de s'éteindre.	<ul style="list-style-type: none"> <li>* Le(s) interrupteur(s) ne peu(ven)t se mettre en position d'arrêt en raison de l'interférence du côté du bassin ou d'un autre type d'obstacle.</li> </ul>	<ul style="list-style-type: none"> <li>Placer la pompe ou l'interrupteur de manière à ce que le dégagement soit suffisant pour bien fonctionner.</li> </ul>
	<ul style="list-style-type: none"> <li>Interrupteur défectueux.</li> </ul>	<ul style="list-style-type: none"> <li>Remplacer l'interrupteur s'il est défectueux.</li> </ul>
La pompe tourne ou gronde, mais ne pompe pas.	<ul style="list-style-type: none"> <li>Conduits d'évacuation bloqués ou restreints.</li> </ul>	<ul style="list-style-type: none"> <li>Vérifier dans la canalisation d'évacuation qu'il n'y ait pas de corps étrangers, y compris de formation de glace si la canalisation d'évacuation se trouve dans des zones froides ou les traverse.</li> </ul>
	<ul style="list-style-type: none"> <li>Clapet antiretour bloqué en position fermée ou incorrectement installé.</li> </ul>	<ul style="list-style-type: none"> <li>Retirer tout clapet antiretour et vérifier qu'il fonctionne librement et est bien installé.</li> </ul>
	<ul style="list-style-type: none"> <li>Robinet vanne ou clapet à bille fermé.</li> </ul>	<ul style="list-style-type: none"> <li>Ouvrir le robinet-vanne ou le clapet à bille.</li> </ul>
	<ul style="list-style-type: none"> <li>La charge ascensionnelle totale dépasse la capacité de la pompe.</li> </ul>	<ul style="list-style-type: none"> <li>Essayer de rediriger le tuyau à un niveau inférieur. Si c'est impossible, il faut probablement se procurer une pompe plus puissante. <b>Consulter le fabricant.</b></li> </ul>
	<ul style="list-style-type: none"> <li>Le rotor de la pompe est bloqué ou le corps de pompe en spirale est bouché.</li> </ul>	<ul style="list-style-type: none"> <li>*Retirer la pompe du bassin. Détacher la base de la pompe et nettoyer la zone entourant le rotor. Remonter et réinstaller.</li> </ul>
La pompe tourne périodiquement lorsque les accessoires ne sont pas utilisés.	<ul style="list-style-type: none"> <li>Clapet antiretour non installé, bloqué en position ouverte ou qui fuit.</li> </ul>	<ul style="list-style-type: none"> <li>Retirer tout clapet antiretour et vérifier qu'il fonctionne librement et est bien installé.</li> </ul>
	<ul style="list-style-type: none"> <li>Les accessoires coulent.</li> </ul>	<ul style="list-style-type: none"> <li>Réparer les accessoires au besoin pour éliminer les fuites.</li> </ul>
La pompe fait du bruit.	<ul style="list-style-type: none"> <li>Corps étrangers dans les cavités du rotor.</li> </ul>	<ul style="list-style-type: none"> <li>*Retirer la pompe du bassin. Détacher la base de la pompe et nettoyer la zone entourant le rotor. Remonter et réinstaller.</li> </ul>
	<ul style="list-style-type: none"> <li>Rotor brisé.</li> </ul>	<ul style="list-style-type: none"> <li>Consulter le fabricant pour obtenir de l'information au sujet du remplacement du rotor.</li> </ul>
	<ul style="list-style-type: none"> <li>Coussinets usés.</li> </ul>	<ul style="list-style-type: none"> <li>Retourner la pompe au fabricant ou la faire réparer par un réparateur autorisé.</li> </ul>
	<ul style="list-style-type: none"> <li>Raccordements des tuyaux à la structure de la maison trop rigides.</li> </ul>	<ul style="list-style-type: none"> <li>Remplacer une partie du tuyau d'évacuation par un boyau ou un raccord en caoutchouc.</li> </ul>

**\*REMARQUE :** Liberty Pumps, Inc. n'est pas responsable des dommages ou blessures résultant d'un démontage sur le terrain. Le démontage effectué ailleurs que chez Liberty Pumps ou à l'un de ces centres de services autorisés annule automatiquement la garantie.

## 6. Garantie limitée de 2 ans

**\*REMARQUE :** Liberty Pumps, Inc. n'est pas responsable des dommages ou blessures résultant d'un démontage sur le terrain. Le démontage effectué ailleurs que chez Liberty Pumps à l'un de ces centres de services autorisés annule automatiquement la garantie.

Liberty Pumps, Inc. garantit que les pompes sortant de son usine sont exemptes de tout défaut de matériau et de fabrication pour une période de 2 ans à partir de la date d'achat. La date d'achat sera établie par une facture d'achat datée indiquant les numéros de modèle et de série de la pompe. La pompe retournée doit être accompagnée de la facture d'achat datée si la date de retour se situe à plus de 2 ans du numéro de « CODE » (date de fabrication) indiqué sur la plaque signalétique de la pompe.

L'obligation de garantie du fabricant se limite à la réparation ou au remplacement de toute pièce jugée défectueuse par le fabricant, à condition que la pièce ou l'appareil soient retournés franco de port au fabricant ou à son centre d'entretien autorisé et à condition qu'il n'y ait aucune preuve que les critères suivants annulant la garantie sont en cause.

Le fabricant ne peut en aucun cas être tenu responsable, selon les dispositions de cette garantie, si le produit n'a pas été correctement installé; s'il a été démonté, modifié, soumis à un usage abusif ou endommagé; si le cordon électrique a été coupé, endommagé ou ligaturé; si la taille du tuyau d'évacuation de la pompe a été réduite; si la pompe a été utilisée pour pomper de l'eau d'une température supérieure aux recommandations ci-dessus ou de l'eau contenant du sable, de la chaux, du ciment, du gravier ou autres matières abrasives; si le produit a été utilisé pour pomper des produits chimiques ou des hydrocarbures; si un moteur non submersible a été exposé à de l'humidité excessive; ou si l'étiquette portant le numéro de série, de modèle et de code a été retirée. Liberty Pumps, Inc. ne pourra être tenue responsable des pertes, dommages, frais attribuables à l'installation ou l'utilisation de ses produits ni pour les dommages accessoires ou consécutifs, y compris les coûts de retrait, de réinstallation ou de transport.

Il n'y a aucune autre garantie expresse. Toute garantie implicite, y compris celles de qualité marchande et d'aptitude à une fin particulière est limitée à deux ans à partir de la date d'achat.

Cette garantie contient le recours exclusif de l'acheteur et exclut, lorsque permis par la loi, toute responsabilité pour dommages consécutifs ou accessoires en vertu de toutes autres garanties.



7000, avenue Apple Tree  
Bergen (NY) 14416  
Téléphone : (800) 543-2550  
Télécopieur : (585) 494-1839  
[www.libertypumps.com](http://www.libertypumps.com)