

# Liberty Pumps®

## Pro380-Series



US Patent #s  
7,520,736 &  
7,563,082

**with  
QuickTree®  
Technology**  
**Larger Capacity  
Shallow System  
Design**

### **Features:**

- Separate access cover
- QuickTree® float system allows easy removal of floats without pulling the pump
- Shallow 24" basin for easier burial in difficult soil conditions
- Large 41 gallon capacity
  - Anti-flotation collar
  - Molded torque-stops
- Integrally molded handles
- Unique integrated cord seal technology
- Integral rubber cover seals

**Shipped with  
Clear Construction Cover**



Clear disposable cover protects the system during masonry work and rough-in.

innovate. evolve.

# Pro380

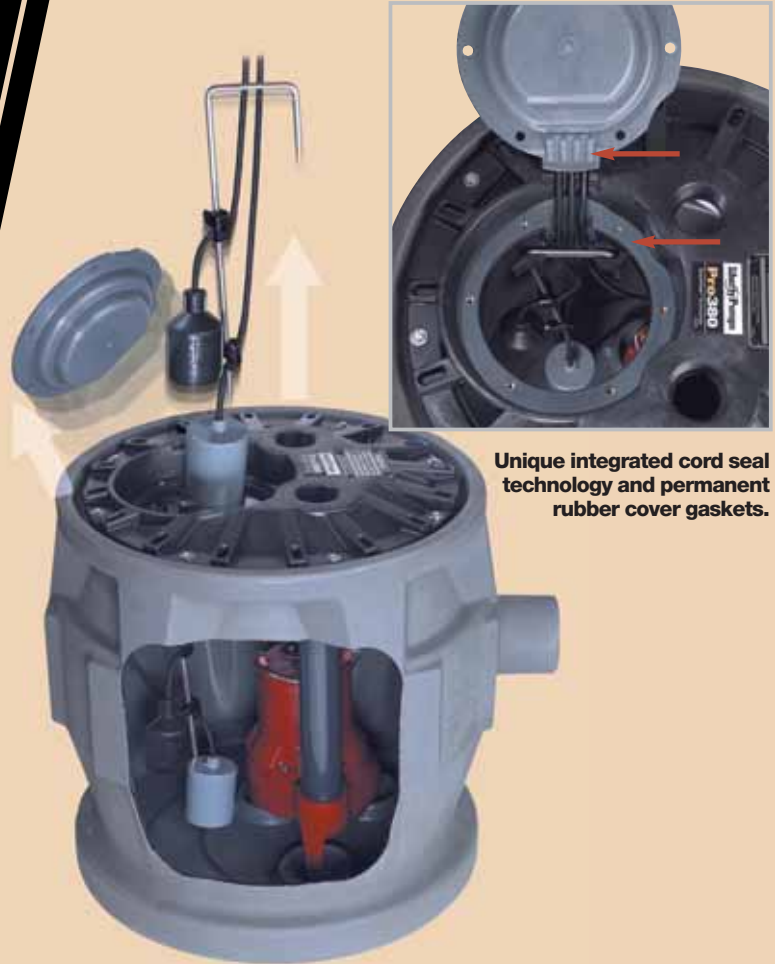
QuickTree® Technology

## Features:

- QuickTree® technology allows easy access and removal of switches without disturbing pump or plumbing.
- Integrated rubber seals permanently attached to cover.
- Unique cord seal technology integrated into the inspection cover.
- Shallow basin design (24") for easier installation in difficult soil/bedrock locations.
- Large 41 gallon capacity for longer pump cycles.
- Integrally molded torque stops secure the pump in its proper position.
- Integrally molded anti-flotation collar.
- Durable polyethylene construction.
- Completely assembled.

## QuickTree® Technology

### Integral Rubber Seals



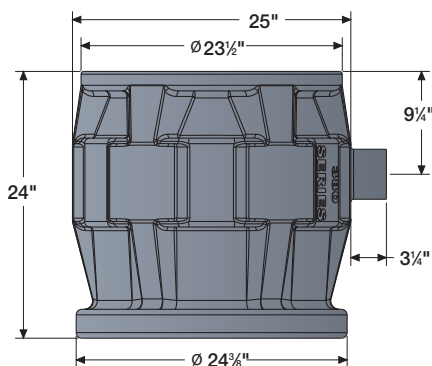
Unique integrated cord seal technology and permanent rubber cover gaskets.

## Specifications: 2" Discharge Systems

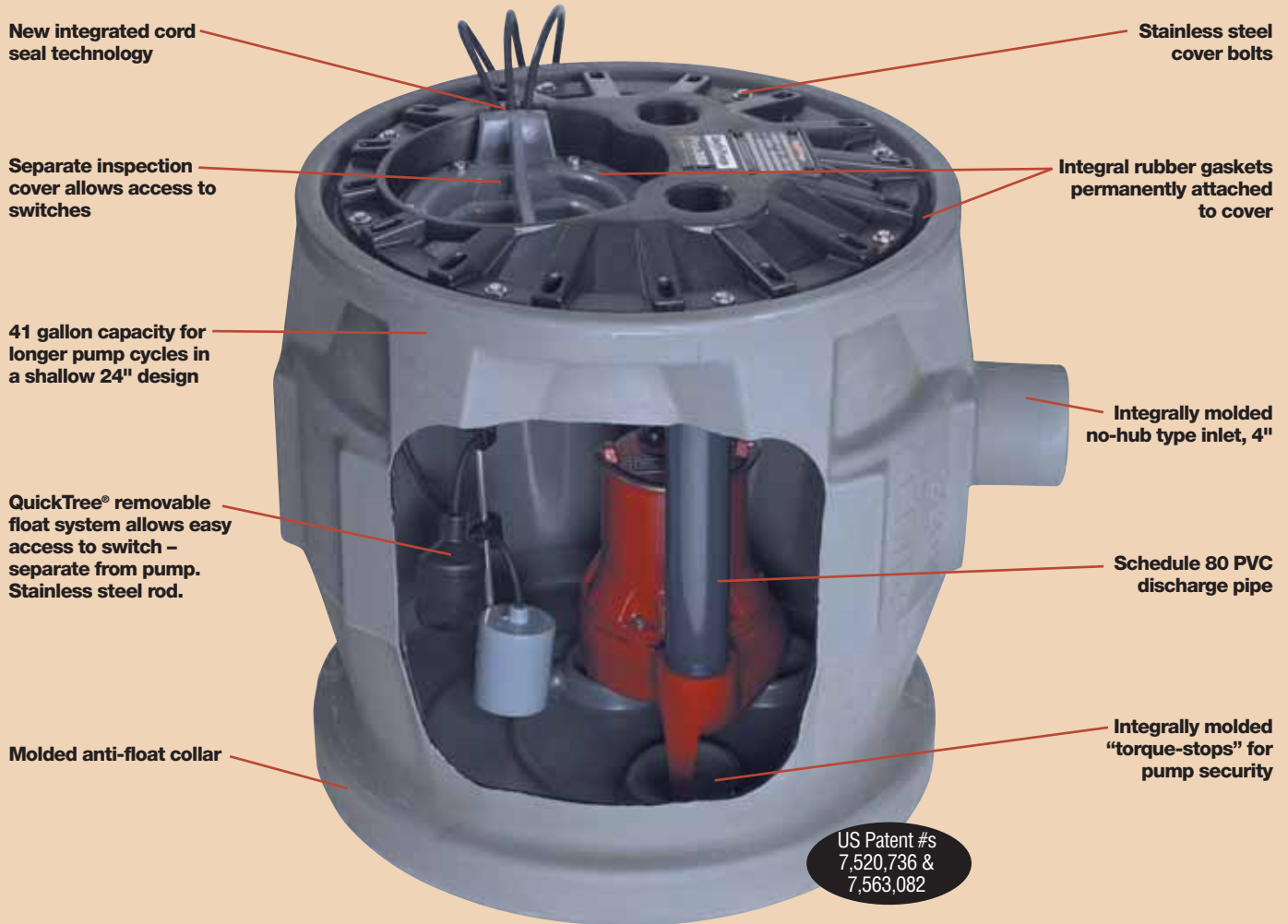
MODEL	HP	VOLTS	PHASE	DISCHARGE	WGT. LBS.
P382LE41	4/10	115	1	2"	60
P382LE51	1/2	115	1	2"	64
P382LE52	1/2	208-230	1	2"	63
P382LE71	3/4	115	1	2"	83
P382LE72	3/4	208-230	1	2"	83
P382LE102*	1	208-230	1	2"	86
P382LEH102*	1	208-230	1	2"	86

For 3" discharge systems change model number from "382" to "383."  
EXAMPLE: P383LE41

See specific LE-Series literature for complete pump performance and specifications.  
\* High head applications only. Consult factory for proper pump sizing.



# Pro380-Series 24" x 24" – 41 Gallons



## QuickTree® Kit

**Installed your Pro380 empty?  
Simply order a QuickTree®  
Kit and manual LE-  
Series pump.**



Need to install a Liberty pump in an empty Pro380 basin? ...No-Problem! QuickTree® Kits make addition of a pump easy! Simply install a manual LE-Series pump and a matching QuickTree® Kit. Kits include stainless steel float tree, pre-mounted pump float and additional clamp for an alarm float. Simply hang the QuickTree® from its holder underneath the access cover and you're ready to go.

MODEL	DESCRIPTION
QT380-115-10	QuickTree for PRO380, 115V, 10' cord
QT380-115-25	QuickTree for PRO380, 115V, 25' cord
QT380-230-10	QuickTree for PRO380, 230V, 10' cord
QT380-230-25	QuickTree for PRO380, 230V, 25' cord

**Riser allows burial of the Pro380 System up to a maximum depth of 18" below grade.**

A convenient chamber for all your pump's electrical and piping connections – out of sight and below grade. Riser simply slides over the sealed 380 system. Cover is retained by 4 stainless steel bolts and features a twist-lock design with provision for padlock to deter unwanted entry.

**Specifications:**

**Weight: 28 lbs.- (Riser and Cover)**  
**Riser Height: 18-3/4"**  
**Total Height with Cover: 20-1/2"**  
**Diameter: 32"**

MODEL	DESCRIPTION
AR18	Access Riser
AC18	Access Riser Cover (Environmental Green)
ARC18	Kit, Access Riser with Cover
ARCKIT115	Kit, Access Riser with Cover and 2" installation accessories - 115V
ARCKIT230	Kit, Access Riser with Cover and 2" installation accessories - 230V
IKIT2-115	Installation Kit 2", 115V
IKIT2-230	Installation Kit 2", 230V

# Optional Access Riser

**Fits Pro370 and Pro380-Series systems**



Liberty's installation kits provide all the components for a professional installation inside the riser. Kit includes: JB-Series wiring box and hardware, check valve with a disconnect union feature, coupling and elbows (PVC piping not included). Kits available in 2" discharge and vent size only.

# Pro380-Series Alarmed System

**P380XL Series - IAPMO Listed**

The **P380XL** systems are specifically designed to pass a 10' stack test and are IAPMO listed.

The **P380XL-Series** has all the same features as the standard P380 except for a 16 bolt cover.

To order, simply add "X" to any standard P380 system.

**Example: P382XLE41**



**ALM-2W**  
**Outdoor Rated**  
**115 volt Alarm**  
**(not shown)**

**ALM-2 (pictured)**  
**Indoor 115V Alarm**  
**with 9 volt Battery**  
**Back-up**

Now, have the assurance of early warning in the event of a high-level condition with an alarm option installed from the factory! We do the work for you by mounting the alarm float in the basin at its proper level – no need to even open the cover! Simply mount the alarm panel in its desired location, supply power and connect the alarm float leads! Offered with three different alarm options for indoor or outdoor applications.

**How to Order:**

Alarm Model	Add Suffix	Ordering Example
ALM-2	/A2	P382LE41/A2
ALM-2W	/A2W	P382LE41/A2W
ALM-2-1	/A21	P382LE41/A21

Alarm float is pre-set at proper level in basin.  
 Alarm panel packaged with unit.

WWW.  
**libertypumps**  
 .com



**Liberty Pumps • 7000 Apple Tree Avenue • Bergen, New York 14416**  
**Phone 800-543-2550 Fax (585) 494-1839**

Specifications are subject to change without notice. Copyright © Liberty Pumps, Inc. 2009 All rights reserved. LLIT3800-R08/09