



## **HotLink® Domestic Hot Water Recirculation System**

The Taco Hot-Link® System (HLS-1) for domestic hot water recirculation reduces the time it takes for hot water comfort to reach showers and faucets by recirculating “cooled” water back to the water heater; hot water lines remain hot. The Hot-Link System can save an average family up to 12,000 gallons of water per year – water that normally goes down the drain while waiting for hot water. The HLS-1 is easy to retrofit to an existing plumbing system; no electrician required.

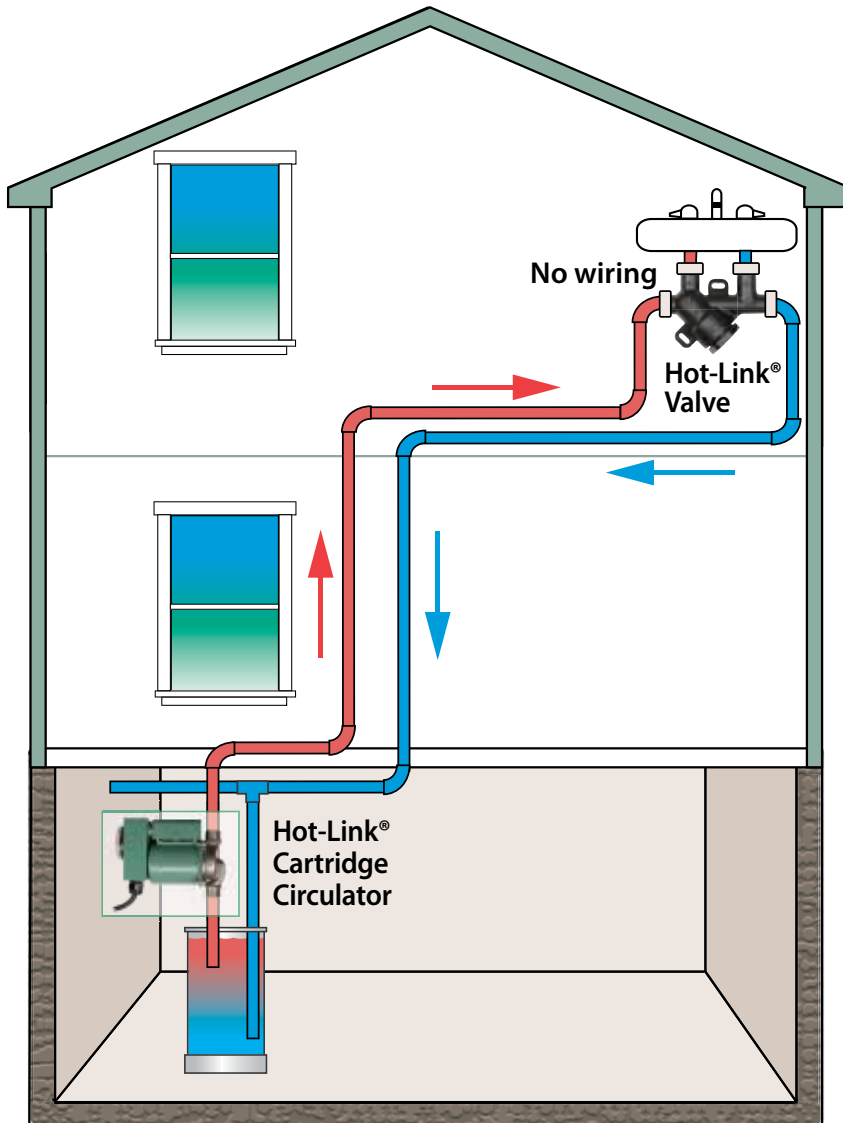


**NSF® ≤ .25% Lead**

Meets California AB 1953  
and Vermont Act 193

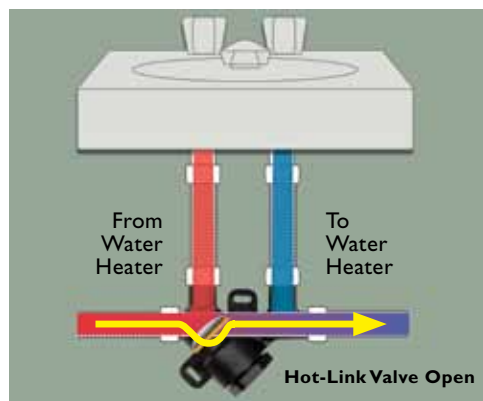
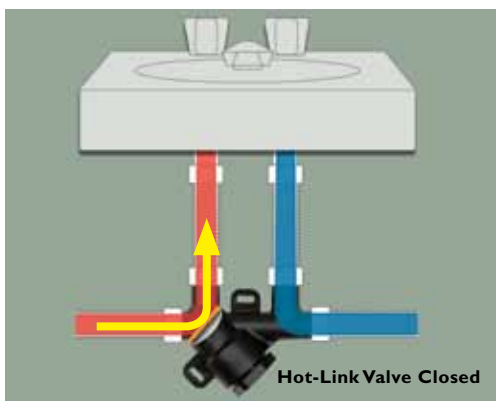
## Features

New **Hot-Link**® delivers instant hot water using existing plumbing system!



### Features:

- Creates a domestic hot water recirculation system without dedicated return loop piping
- Easy to retrofit to existing plumbing system; no electrician necessary
- Conserves water by greatly reducing the time it takes to get hot water
- Analog pump timer allows you to set the system to work during peak hours or to work continuously
- Includes Hot-Link® System Cartridge Circulator, a Hot-Link® bypass valve, flex hoses and hardware
- NSF® ≤ .25% Lead Compliant Meets California AB 1953 & Vermont Act 193



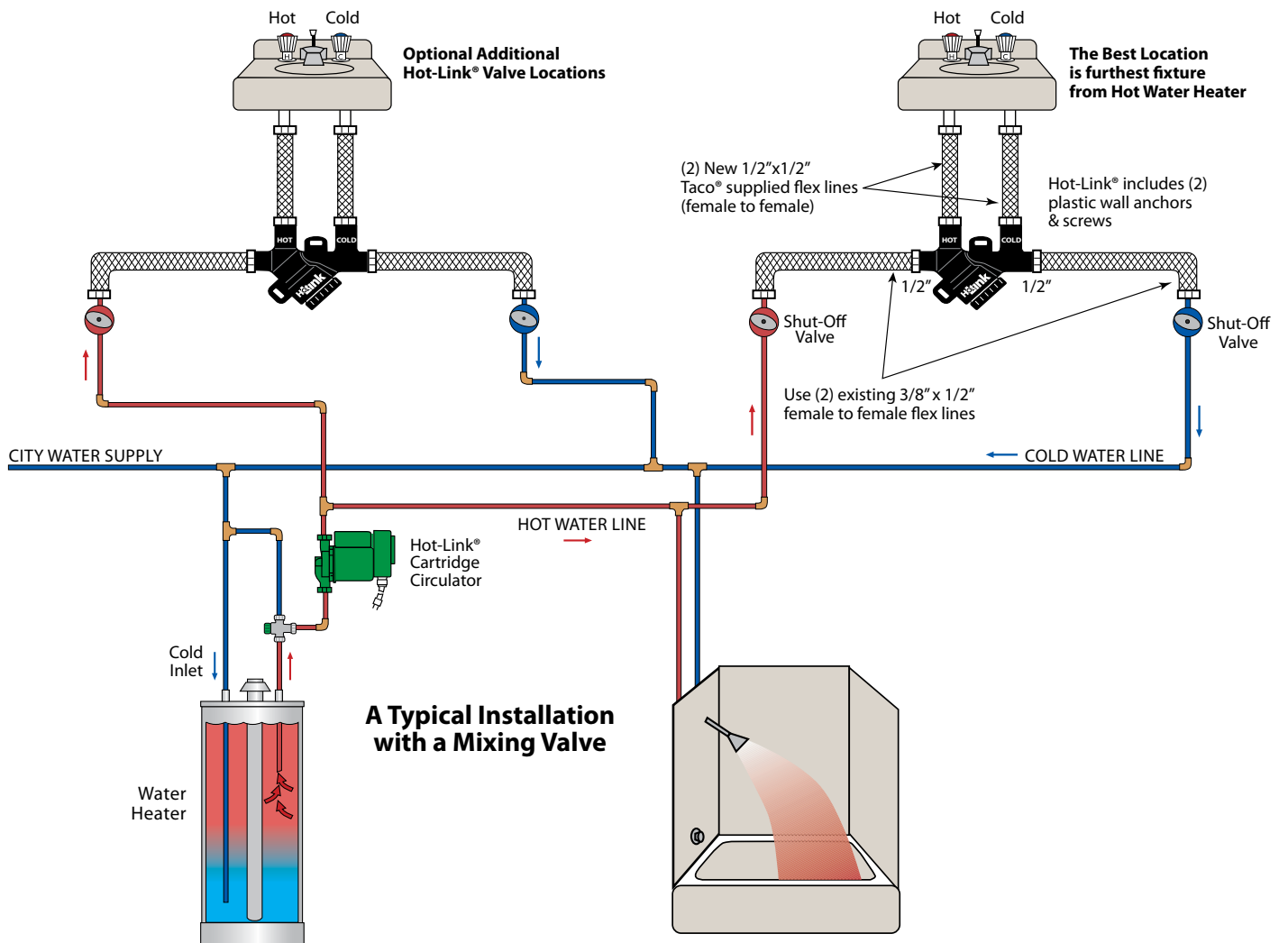
LEFT: Thermal disk technology tells Hot-Link valve what to do. No under-sink electricity is needed. The Hot-Link Pump is mounted at the water heater.

# Typical Hot-Link® Schematic



**Save Energy!**  
**Save Water!**  
**Save Time!**  
**Instant Hot Water Comfort!**

*Installation is a snap. No electrician needed.*



# Submittal Data Information

## Hot-Link® System (FOR DOMESTIC HOT WATER RECIRCULATION)

Submittal Data # 101-148

Effective: 10/29/10

Supersedes: New

### HLS-1 Includes:

- Hot-Link® Valve
- Hot-Link® Circulator
- (2) Braided Flex Hoses
- 3/4" Bronze Union

### Materials of Construction

#### — Pump & Union

- Casting (Volute).....Stainless Steel
- Stator Housing.....Steel
- Cartridge.....Stainless Steel
- Impeller.....Noryl
- Shaft.....Ceramic
- Bearings.....Carbon
- O-Ring.....EPDM
- Union.....Bronze

### Materials of Construction

#### — Hot-Link® Valve

- Body.....Nylon
- Thermal Disk Actuator.....Bi-Metal
- O-Ring Seals.....EPDM
- Integral Flow Check (IFC®):
  - Body, Plunger.....Acetal
  - O-Rings.....EPDM
- Screen.....304 SS
- Stem.....Nylon
- Actuator Cartridge.....Low Lead Brass
- Braided Flex Hoses.....Stainless Steel

### Pump Performance Data

- Pump Flow Range.....0-11 gpm
- Head Range.....0-10 ft.
- Min. Fluid Temperature.....40°F (4°C)
- Max. Fluid Temperature.....220°F (104°C)
- Max. Working Pressure.....125 psi



**FOR INDOOR USE ONLY**

NSF® ≤ .25% Lead

Complies with California Health and Safety Code Section 116875 / AB1953 and Vermont Act 193

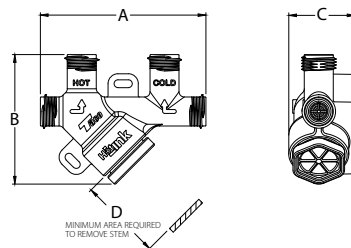
### Application:

The Taco Hot-Link® System for domestic hot water recirculation reduces the time it takes for hot water comfort to reach showers and faucets by recirculating “cooled” water back to the water heater; hot water lines remain hot. The Hot-Link system can save an average family up to 12,000 gallons of water per year – water that normally goes down the drain while waiting for hot water.

### Dimensions & Weights

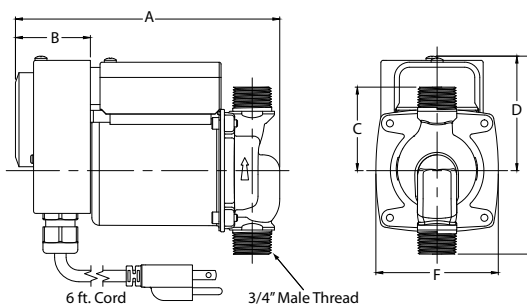
#### Hot-Link® Valve

Connection	A		B		C		D		Ship Wt.	
	in.	mm	in.	mm	in.	mm	in.	mm	Lbs.	Kg
1/2" MNPT	4	102	3-1/8	79	1-5/8	41	2	51	0.30	0.14



#### Hot-Link® Circulator

A		B		C		D		E		F		Ship Wt.	
in.	mm	in.	mm	in.	mm	in.	mm	in.	mm	in.	mm	Lbs.	Kg
7-1/4	184	1-15/16	49	2	51	3-1/16	78	5-1/4	134	3-5/16	84	7.0	3.2



### Electrical Data

Model	Volts	Hz	Ph	Amps	RPM	HP
Hot-Link® Circulator	115	60	1	.55	3250	1/40
Motor Type	Permanent Split Capacitor Impedance Protected					

