



Submittal Data Information

CI Series Pumps (50 Hz)

301-1371 I

EFFECTIVE: JULY 1, 2010

SUPERSEDES: JANUARY 31, 2004

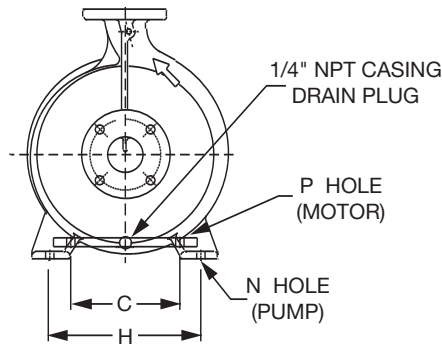
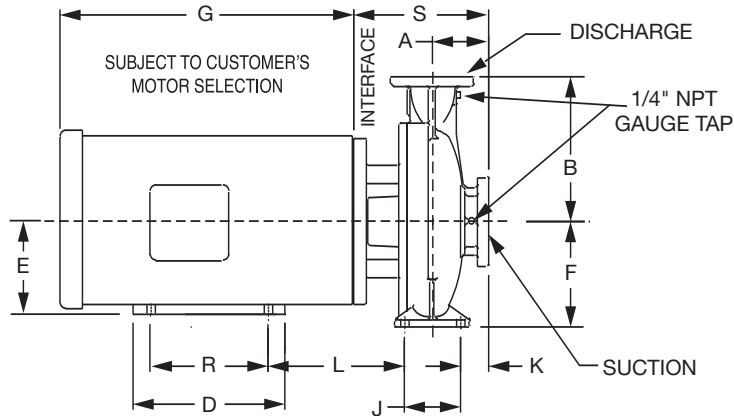
2900 RPM MODEL 1507

JOB _____ ENGINEER _____

CONTRACTOR _____ REP. _____

ITEM NO.	MODEL NO.	IMPELLER DIA.	G.P.M.	HEAD/FT.	H.P.	ELEC. CHAR.
----------	-----------	---------------	--------	----------	------	-------------

WEIGHT _____ PUMP/MOTOR _____



DIMENSIONS (250 PSI)

Model No. Flange Size (Suction x Discharge)	HP 2900 (RPM)	A ANSI Class 250	B ANSI Class 250	K ANSI Class 250	S ANSI Class 250
1507 2½ x 1½ (64 x 38)	3	4.06 (103)	7.00 (178)	2.68 (68)	8.41 (214)
	5				
	7.5				
	10				
	15				

DIMENSIONS

Model No. Flange Size (Suction x Discharge)	Motor Frame	HP 2900 (RPM)	A ANSI Class 125	B ANSI Class 125	C (Motor)	D	E	F	G	H (Pump)	J	K ANSI Class 125	L	N (Pump)	P	R	S ANSI Class 125
1507 2½ x 1½ (64 x 38)	145JM	3	3.75 (95)	6.75 (171)	5.5 (140)	5.94 (151)	3.50 (89)	6.30 (160)	10.00 (254)	8.34 (212)	2.76 (70)	2.37 (60)	5.84 (148)	0.62 (16)	0.34 (9)	5.0 (127)	8.1 (206)
	182JM	5			7.5 (191)	6.50 (165)	4.50 (114)		12.25 (311)				6.47 (164)		0.41 (10)	4.5 (115)	
	184JM	7.5			7.5 (191)	6.50 (165)	4.50 (114)		12.25 (311)				6.47 (164)		0.41 (10)	5.5 (140)	
	213JM	10			8.5 (216)	8.00 (203)	5.25 (133)		13.94 (354)				7.47 (190)		0.41 (10)	5.5 (140)	
	215JM	15			8.5 (216)	8.00 (203)	5.25 (133)		13.94 (354)				7.47 (190)		0.41 (10)	7.0 (178)	

English dimensions are in inches. Metric dimensions are in millimeters. Metric data is presented in ().
Do not use for construction purposes unless certified.

MATERIALS OF CONSTRUCTION

Item	BRONZE FITTED		ALL IRON	
	Std. Pump Constr.	Optional	Standard	Optional
Casing	Cast Iron ASTM A48 Class 30A	N/A	Cast Iron ASTM A48 Class 30A	N/A
Impeller	Bronze ASTM B584-836	N/A	Cast Iron ASTM A48 Class 30A	N/A
Wear Ring	N/A	Bronze ASTM B584-932 SAE660	N/A	N/A
Shaft	Carbon Steel AISI 1045	St. Steel AISI 416 ASTM A582	Carbon Steel AISI 1045	St. Steel AISI 416 ASTM A582
Shaft Sleeve	Bronze ASTM B584-932 SAE660	St. Steel AISI 303 ASTM A276	St. Steel AISI 303 ASTM A276	N/A
Mech. Seal	Ceramic/EPT	CF	Ceramic/EPT	CF
Seal Flush Line	N/A	Copper	N/A	Stainless Steel

CF - Consult Factory

N/A - Not Available

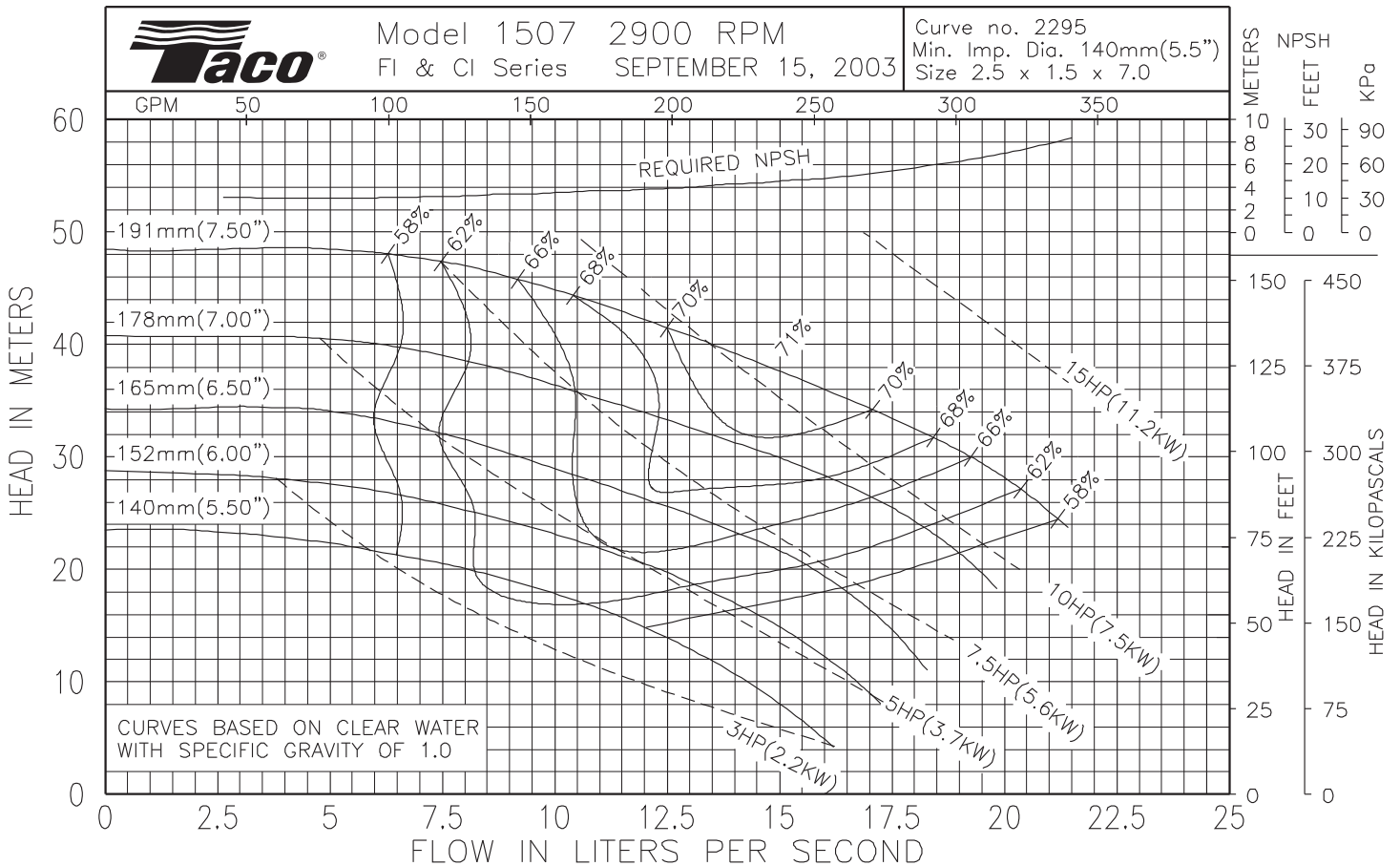
OPERATING SPECIFICATIONS

	Standard	Optional
Flange	ANSI Class 125	ANSI Class 250
Pressure	175 PSIG* (1210 KPA)	300 PSIG** (2070 KPA)
Temperature	250°F (120°C)	250°F (120°C)

Motors: All NEMA Standard (T Frame)
 * In accordance with ANSI Standard B16.1 Class 125
 ** In accordance with ANSI Standard B16.1 Class 250 Dim.

MAXIMUM ASSEMBLY WEIGHT

Motor Frame	Weight Lbs (Kg)
143JM - 145JM	188 (85)
182JM - 184JM	213 (97)
213JM - 215JM	342 (155)



Comments:

Do it Once. Do it Right.®

TACO, INC., 1160 Cranston Street, Cranston, RI 02920 Telephone: (401) 942-8000 FAX: (401) 942-2360.
TACO (Canada), Ltd., 8450 Lawson Road, Unit #3, Milton, Ontario L9T 0J8. Telephone: 905/564-9422. FAX: 905/564-9436.
 Visit our web site at: <http://www.taco-hvac.com>

Printed in USA
 Copyright 2010
 TACO, Inc.