



Submittal Data Information

301-001

1600 Series Pumps

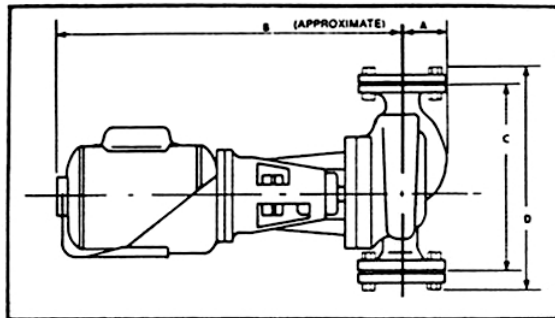
Effective: August 1, 1991

Supersedes: 301-001A Dated 12/31/83

1750 RPM Stock Models

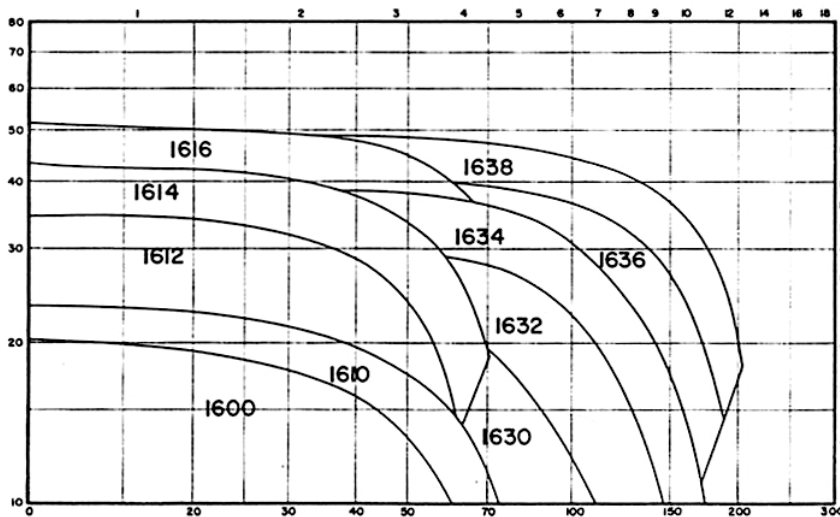
Job: _____ Engineer: _____ Contractor: _____ Rep: _____

ITEM NO.	MODEL NO.	IMP. DIA.	G.P.M.	T. D. H.	H.P.	ELEC. CHAR.



MODEL NO.	Fig. Size	MOTOR DATA			DIMENSIONS			
		HP	60 Hz 1 Ph.	60 Hz 3 Ph.	A	B	C	D
1600	1½"	¼	115V	NOT AVAILABLE	3	16½	10¼	12¾
1610		1/3	115V		3	16½	10¼	12¾
1612	1½"	½	115/230	200 or 230/460	3½	18½	13½	16½
1614		¾			3½	19	13½	16½
1616	1	3			19	14½	17½	
1630	½	3½			18	13½	16½	
1632	2"	¾			3½	18½	13½	16½
1634		1			3½	19	13½	16½
1636		1½			3½	21	16½	19½
1638		2			3½	23	16½	19½

STOCK MODEL QUICK SELECTION CURVES



SPECIFICATIONS:

- MOTORS**
1750 RPM, Three Phase 200V or 230/460 V 60C Sleeve Bearing Motors.
Also available In Single Phase with overload protection except 3 HP (2238 WATTS).
 - BODY**
Cast Iron with flanged In-line connections. Companion flanges are included.
 - IMPELLER**
Cast Bronze, Closed, Dynamically Balanced.
 - DRIVE COUPLING**
Non-Metallic/Vibration Dampening.
 - SHAFT**
Alloy Steel with Cupro-Nickel Sleeve.
 - FRAME**
Ball Bearing Type, Permanently Lubricated. REMOVABLE BEARING CARTRIDGE FITS ALL MODELS.
 - MECHANICAL SEAL**
2 Piece Standard—250°F (121°C) Operating Temp.
Hi-Temp—Extra Cost—300°F (149°C) Operating Temp.
 - WORKING PRESSURE**
175 PSI (1207 kpa) . . . In accordance with ASA B16.1
- NOTE: Flanges are tapped for gauges.

Do it Once. Do it Right.

Taco, Inc., 1160 Cranston Street, Cranston, RI 02920 Telephone: (401) 942-8000 Fax: (401) 942-2360
Taco (Canada), Ltd., 6180 Ordan Drive, Mississauga, Ontario L5T 2B3 Telephone: (905) 564-9422 Fax: (905) 564-9436

Printed in USA
Copyright 2005
TACO, Inc.

Visit our website at: www.taco-hvac.com