

# SR1830

Packaged Simplex  
Sewage System



The industry's best quality Packaged Simplex Sewage System is now factory pre-assembled and conveniently includes:

#### SEWAGE PUMP - SRM4PC-1

- 4/10 HP, 115V, 12 Amps, 1 phase, 60 Hz motor.
- Shaded pole motor eliminates starting switches.
- Oil-filled motor for maximum heat dissipation and continuous bearing lubrication.
- Piggy-back mechanical switch for maximum draw-down.
- Pump down range -- 7-14 in. (178-356 mm).
- Recessed vortex impeller operates completely out of passage way and provides free flow through volute.
- Handles raw sewage, effluent and drain water.
- 2" discharge will pass 2" solids.
- Cast iron construction.
- UL listed and CSA certified.
- 20' power cord.

#### Construction Materials

Motor Housing	cast iron, Class 30, ASTM A48
Volute Case	cast iron, Class 30, ASTM A48
Impeller	recessed, thermoplastic
Power Cord	20 ft. 16/3 SJTW/SJTW-A
Mechanical Seal	carbon and ceramic

#### BASIN

- 18" x 30"
- 4" plastic slip-type or cast iron inlet hub.
- Structural foam construction.
- 30 gallon capacity.

#### SEALED COVER

- Choice of either one-piece poly with 2" and 3" vent fittings or split steel with 2" vent.
- 2" discharge

#### CHECK VALVE

- Full-swing 2" compression type.

Contact your Myers distributor to place your order today.

Available in IAPMO approved models.

WHERE INNOVATION MEETS TRADITION

**Myers**<sup>®</sup>  
Pentair Pump Group

# SR1830

Packaged Simplex  
Sewage System

## MECHANICAL FLOAT SWITCH

Mercury-free, 90° angle operation.

## 4/10 HP MOTOR

Pressed in place and Oil-filled for best alignment and heat transfer. Built-in overload protection.

## DUAL THRUST WASHERS, SLEEVE BEARINGS

Oil lubricated, enhance smooth operation and extend pump life.

## POWER CORD

Quick-disconnect watertight fitting.

## MOTOR HOUSING

Heavy cast iron for efficient heat transfer.

## CAST IRON VOLUTE

Passes 2" diameter solids.

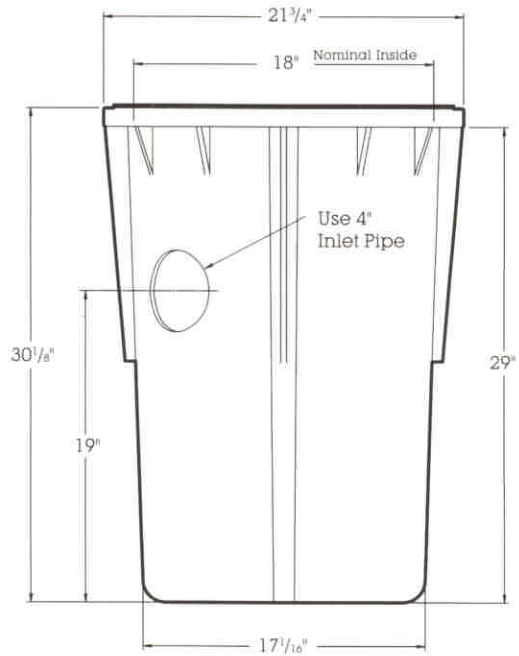
## MECHANICAL SHAFT SEAL

Carbon and ceramic faces, body is stationary, prevents string or trash from winding on seal.

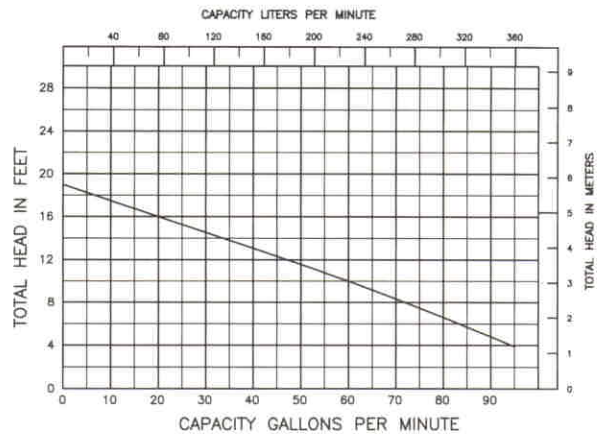
## RECESSED IMPELLER SEAL

Operates out of volute passage, allowing maximum flow of liquids and solids.

## DIMENSIONS



## PERFORMANCE CURVE



K3206 2/01  
Printed in U.S.A.



**Myers**<sup>®</sup>  
Pentair Pump Group

F. E. Myers, 1101 Myers Parkway, Ashland, Ohio 44805-1969  
419/289-1144, FAX: 419/289-6658, [www.femyers.com](http://www.femyers.com)

Myers (Canada), 269 Trillium Drive, Kitchener, Ontario N2G 4W5  
519/748-5470, FAX: 519/748-2553