

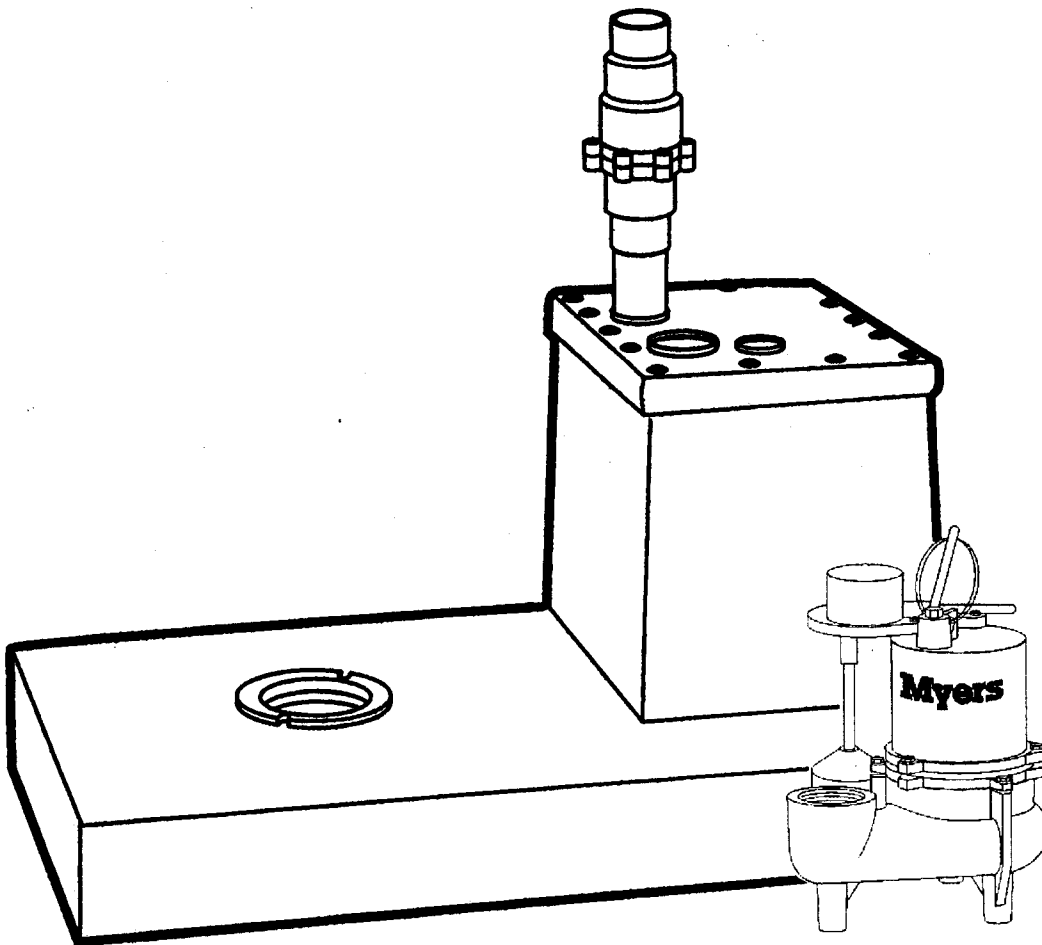
Myers®

Pentair Pump Group

MRJ

Ready Jon System

Sewage Ejector Pump Up Package
Installation and Service Manual



General Information

Thank you for purchasing your Myers Pump System. To help insure years of trouble-free operation, please read the following manual carefully.

Before operation:

Read the following instructions carefully. Reasonable care and safe methods should be practiced. Check local codes and requirements before installation.

Attention:

This manual contains important information for the safe use of this product. Read this manual completely before using this product and refer to it often for continued safe product use. **DO NOT THROW AWAY OR LOSE THIS MANUAL.** Keep it in a safe place so that you may refer to it often.

Warning:

Before handling these pumps and controls, always disconnect the power first. Do not smoke or use sparkable electrical devices or flames in a septic (gaseous) or possible septic sump.

Pump Warning

Warning: Risk of Electrical Shock - FOR YOUR PROTECTION ALWAYS DISCONNECT PUMP FROM THE POWER SOURCE BEFORE HANDLING. If the pump is wired direct, disconnect power to the control box. Grounded pumps are supplied with a 3-prong grounded plug to help protect you against the possibility of electrical shock. **DO NOT REMOVE THE GROUND PIN FROM THE PLUG.** To reduce the risk of electrical shock a properly grounded receptacle or control box of grounding type must be installed and protected by a ground fault circuit interrupter (GFCI) in accordance with national electrical code and applicable local codes.

Warning: Do not smoke or use sparkable electrical devices or flame in a septic (gaseous) or possible septic atmosphere.

1. Inspect all materials before accepting them. If the damage is apparent on the outside of the box, claims for damages should be filed with the shipper. Hidden damage can occur during shipment. If the unit is found to be damaged after opening the box, contact your local Myers distributor before using.
2. Before installation or operation carefully read all the information provided with this product. Familiarize yourself with specific details regarding installation and use before attempting the installation.

3. Make certain that the ground fault interrupter protected receptacle or control box is within reach of the pump's power cord. Use of extension cords that are too long or too light do not deliver sufficient voltage to the pump motor. They could also present a safety hazard if the insulation were to become damaged or the connection end were to fall into a damp or wet area.
4. Check to be sure your power source is adequate to handle the amperage requirements of the motor as indicated on the pump, and that the voltage matches that indicated on the pump. Make sure the pump's electrical supply circuit is equipped with a separate 15 amp circuit breaker according to the National Electrical Code.
5. **TESTING FOR GROUND** - As a safety measure, each electrical outlet should be checked for ground. If the system is not properly grounded or you are not sure, call a licensed electrician for assistance.

Caution: All plumbing must be installed to meet local codes. The unit must be vented.

Caution: Installation and checking of all electrical circuits and hardware should only be performed by a qualified licensed electrician.

Caution: Repair and service should be performed by an Authorized Myers Service Station only.

Caution: Refer to the appropriate manual for operation and maintenance of the pump that is provided with this system.

Note: Use extreme caution around electrical devices. Electrical shock may occur.

Note: See the performance curve for this unit on page 4 of this manual. This pumping unit is designed to discharge sewage up to a maximum of 18 feet total dynamic head (T.D.H.) including friction loss of pipe and fittings. This unit should not be used with systems requiring total dynamic heads above 18 feet.

Note: Do not use wax seal having flange that extends into tank; it may cause clogging. If a floor is installed over the tank, use toilet manufacturer designed floor flange extender seal kit.

Failure to heed above cautions could result in injury or death.

Pump System Installation

The Ready Jon System is designed as a relatively easy project provided the installation instructions are followed and national or local electrical and plumbing codes are followed. Bathrooms are usually small. Because so many activities occur in such a small place, thorough planning is a must. Get the right tools for the job before beginning, and make a specific and thorough plan. You may need to make drawings, obtain a building permit and/or have your work inspected. Be prepared, read all instructions that come with this product before installation.

BASICTOOLS FORTHE JOB:

(Some of these tools may not be needed depending on the type of installation chosen)

- Adjustable wrench
- Clamps
- Flat pry bar
- Hammer
- Multi-meter
- Hacksaw
- Wood chisel
- Carpenter's level
- Tape measure
- Putty knife
- Cloths, rags
- Staple gun
- Wallboard knife
- Ratchet wrench
- Sponge
- Wrecking bar
- Masonry hammer
- Paint brush
- Screwdrivers
- Masonry chisel
- Expandable plumber's plug
- Marker
- Notched trowel
- Neon circuit tester

1. The Ready Jon System can be installed as a free standing unit or can be enclosed.
2. Maintain at least 6" between major bathroom fixtures.
3. If installing a shower or bathtub, do not install them within 60" of any light switch.

Note: The above recommendations meet or exceed national and most local Building Codes, and are only meant as recommendations when installing the Ready Jon System alone or as part of a complete bathroom.

1. Position tank at desired location that is level within 1/8" for the length. Insure that nails, screws, or other sharp objects do not puncture the tank.
2. For an enclosed installation the unit is designed to fit within a 2" x 6" floor joist. (Note: A floor flange extender seal kit must be used for this type of installation, and is not included with the Ready Jon System).
3. Determine the location for the Ready Jon System with attention given to access to the discharge and vent lines. Make the necessary measurements, and determine the necessary fittings and piping that is required. Be sure to observe all local plumbing codes.

4. Install the cast iron closet flange (Fig. 3, Item 9). Drill the two pre-centered holes per Fig. 3. Use a 9/32" diameter drill bit. Insert flange through the pump chamber. Use 2 pen head bolts (1/4 - 20 - 2" long) and 2 bolts (1/4 - 20 - 1" long) with washers and nuts provided. Seal bolt heads inside the tank with foam gasket material. (Fig. 3 Item 10) Apply 1" or 2" strip at all bolts locations. The 2" long pan head bolts are used to fasten toilet to the tank, or sub floor. (Note: A standard floor flange is not required.) The position of the toilet must be determined to allow the longer bolts to be inserted in the correct holes. Install the cast iron closet flange making sure to align closet bolt slots, for the longer bolts to allow installation of the toilet bowl in the desired direction. (i.e., If the vent and discharge pipe is to be installed behind the wall, the toilet bowl/flush tank will be parallel to the pump housing and piping).
5. Set pump in pump housing with discharge toward the right back corner as viewed from toilet opening. The vertical float switch must line up square in the middle of the corner baffle located inside the pump chamber. Shim pump as required.
6. Apply foam gasket (Fig. 3, Item 10) to flange of pump chamber. For best results, overlap ends or gasket approximately 1/2".
9. Place 2" NPT flange (Fig. 3, Item 12) in 3" hole in pump chamber lid, this is the vent. Place 2" straight flange (Fig. 3, Item 8) in 2-3/8" hole, this is the discharge.
10. Install discharge pipe (approximately 18" in length) in lid as follows. PVC sch. 40. Approximately 3" should protrude through the lid when assembly is complete. Lubricate the 2" rubber seal with soapy water and push the 2" pipe through the seal.
11. Install the lid on the tank as follows. Push the 2" discharge pipe down until approximately 1-1/2" inches is protruding through the lid. Pull pump power cord up out of the tank and hang over edge of the pump housing. Screw threaded adapter into the pump discharge by rotating the lid assembly, until hand tight. Feed end of pump power cord and the cord seal through small hole in cover in the lid. (Fig. 3, Item 10) Push lid down into position on the pump well. Tighten pump 2" discharge pipe with a strap wrench. Do not press cord seal into lid at this time. (Ref. Step 21), Bolt lid in place with (14) 1/2"-20 bolts and washers provided. (Fig. 3, Items 4, 5)
12. Install the threaded vent pipe or glue the vent pipe to a male adapter.
13. The discharge pipe should protrude approximately 4" above the surface of the lid. Attach the check valve (Fig. 3; item 1) to the discharge pipe with the arrow on the check valve body, indicating flow, pointing away from the pump.

14. Connect 2" discharge pipe and 2" vent pipe into house plumbing. Caution: The unit must be vented according to local codes. Toilet will not flush unless properly vented.

15. If additional fixture(s) are being added to your installation, a 2" rubber pipe seal must be inserted in the tank Refer to Fig. 1 for location.

Note: The bottom of the additional fixture, a 3" diameter hole, must be 5" minimum above the base of the tank as shown in Figure 1.

16. Drill 3" diameter hole at the desired location on one of the four sides of the pump chamber surface. The center line of the hole must be a minimum of 1" above the tank top surface if one of the sides are chosen for the flange mounting.

17. After choosing the spot for the hole, lightly center punch hole centers on pump chamber.

18. Drill a 3" diameter hole with a hole saw for mounting the 2" rubber pipe seal to the tank **Warning:** Hole diameter must not be over sized or the tank may leak. The hole should be no bigger than 3.05".

19. Lubricate 2" rubber pipe seal with soapy water and push it into 3" drilled hole. Lubricate fixture drain pipe and push through the 2" rubber pipe seal, into the pump chamber. Pipe must not interfere with the operation of or touch the pump.

20. Test the pump by partially filling the tank to a depth of approximately 4". This can be checked with the tape measure through the opening where toilet is to be installed. Plug in the pump. The pump will turn on before the water level reaches 4-1/2".

Caution: Unplug the pump before adjusting the switch. If the pump does not turn on before 4-1/2", slide the upper rubber "stop" down the float rod and retest. If the pump starts before 3-1/4", slide the upper "stop" to a higher point on the float rod and retest. The pump must turn on between 3-1/4" and 4-1/2".

21. Check the tank for leaks. Attach the cord to the discharge or vent pipe. Do not leave an excess length of cord inside of tank. It may interfere with the proper operation of the pump.

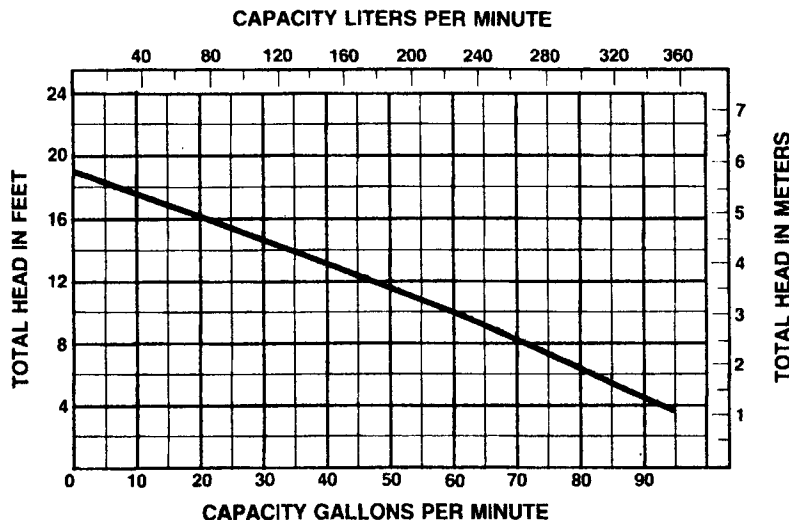
23. Test the tank discharge pipe and vent pipe with 10 feet water column if required by local code. Plug the 4" diameter opening in the tank with an expandable plumbers plug. Make certain the tank lid screws are torqued down properly. The system can now be tested per code requirements.

Warning: The tank and lid will expand with the water column pressure while tested. If the tank is to be installed under the floor the testing should be completed before the floor is installed.

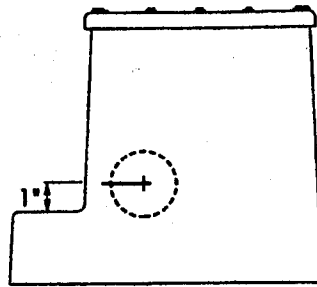
24. Install wax toilet bowl seals at hole and install toilet in place following the instructions from the wax seal package. **NOTE:** Do not use wax seal having flange that extends into tank; it may cause clogging. If a 1/2" or 1/4" floor is installed over the tank, the appropriate floor flange extender seal kit must be used. See item 3 in the installation instructions.

25. Hook up water line to toilet. Turn on water and fill tank. Test for leaks, flush toilet and allow pump to cycle to insure proper operation.

SRM4S-1 CURVE



END VIEW



SIDE VIEW

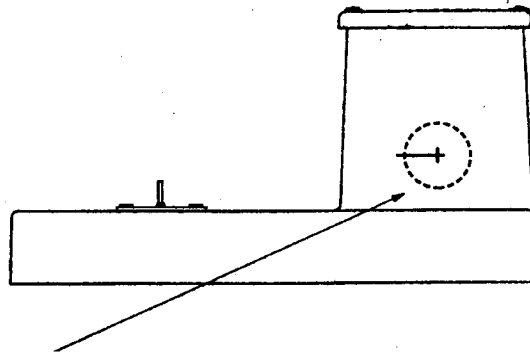


Fig. 1

NOTE: The bottom of the additional fixture 3" diameter hole must be 5" minimum above the base of the tank as shown. Cut out spotting template below. Pipe installed in this 2" seal must be supported vertically.

NOTE: The 3" hole cut in the tank should not be bigger than 3.05" in diameter to prevent leaking.

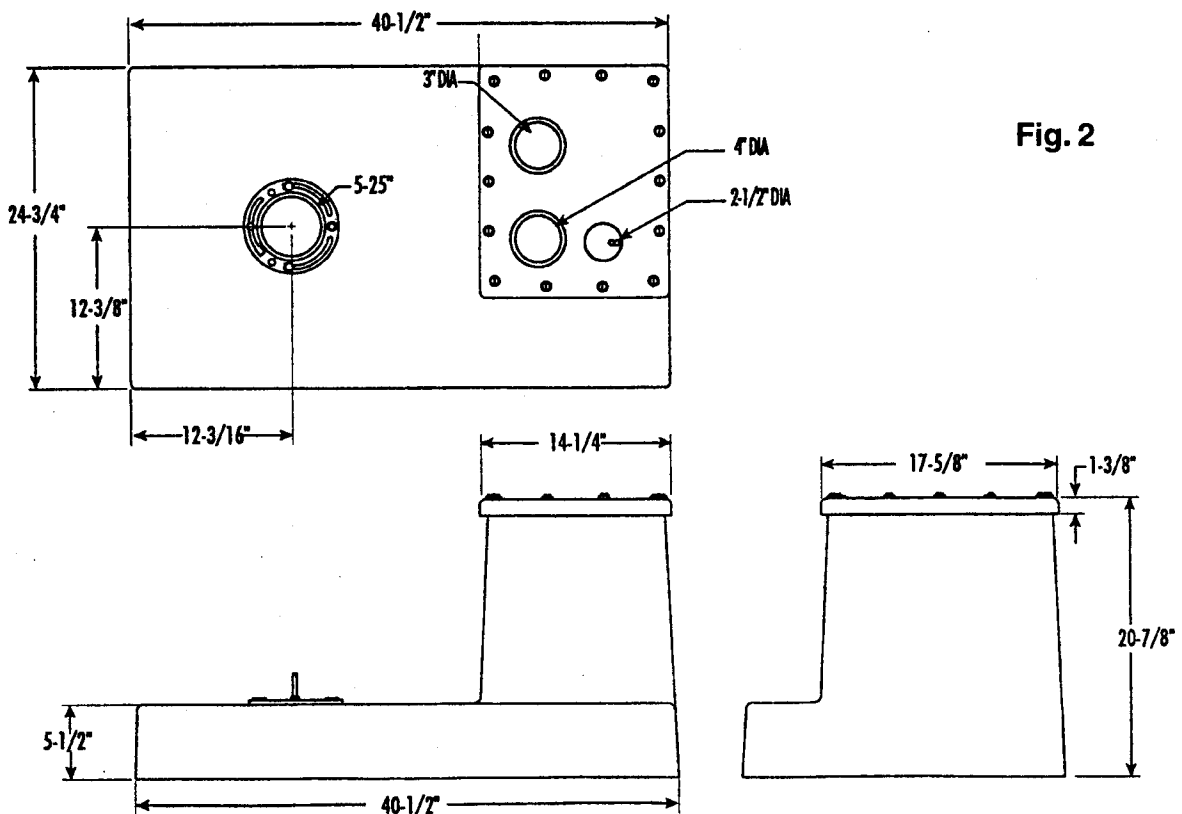


Fig. 2

Troubleshooting

Troubleshooting information for pump only. For other questions or problems, please contact your authorized Myers Service Center.

Servicing should be performed only by an authorized Myers Service Center.

Warning: Always disconnect the pump from power source before handling or making any adjustments. Always wear rubber boots when there is water on the floor and you must unplug the pump or make any adjustments.

Note: Automatic thermal overload protects the sealed-in-oil motor. Running dry may overheat the motor and activate the overload protector until the motor cools.

Pump hums or does not run.

1. Line circuit breaker may be off, blown or loose.
2. Water level in sump may be too low to activate automatic float.
3. Power cord plug may not be making contact in receptacle.
4. If all symptoms check OK, motor winding may be open; take to Authorized Service Center or Distributor for check.

Pump runs but does not deliver water, or small amount of water.

1. Check valve may be installed backwards. Arrow on valve points in direction of flow.
2. Discharge gate valve, if used, may be closed.
3. Pump may be air locked. Start and stop several times by plugging and unplugging cord. Check vent hole in pump case for plugging.
4. Pump head may be too high. Pump cannot deliver water over 18' vertical lift. Horizontal distance does not affect pumping, except for friction loss through the pipe.
5. Inlet in pump base may be clogged. Remove pump and clean out openings.
6. Impeller or volute openings may be plugged or partially plugged. Remove pump and clean out.
7. Pump impeller may be partially clogged causing motor to run slow, resulting in motor overload. Clear impeller.

Fuse blows or circuit breaker trips when pump starts.

1. Inlet in pump base may be clogged. Remove pump and clean out openings.
2. Impeller or volute openings may be plugged or partially plugged. Remove pump and clean out.
3. Pump impeller may be partially clogged causing motor to run slow, resulting in motor overload. Clear impeller.
4. Fuse size or circuit breaker is too small.
5. Defective motor stator: return to Authorized Myers Service Center or Distributor for verification.

Motor runs for short time then stops, then after short period starts again. Indicates tripping overload caused by symptom shown.

1. Inlet in pump base may be clogged. Remove pump and clean out openings.
2. Impeller or volute openings may be plugged or partially plugged. Remove pump and clean out.
3. Pump impeller may be partially clogged causing motor to run slow, resulting in motor overload. Clear impeller.
4. Defective motor stator: return to Authorized Myers Service Center or Distributor.

Ready Jon System Parts List

Installation Hardware Kit

Item	Description	Qty
1	PVC swing check valve	1
2	Model SRM4S-1 (2" solids handling sewage pump)	1
3	Tank (includes the following hardware)	1
4	1/4"-20 X 5/8" slotted hex head bolts	14
5	flat washers	14
6	5/16" X 2-1/4" C-bolts & nuts	2
7	1/4"-20 X 1-3/8" brass phillips head bolts with washer & nut	2
8	2" rubber gasket	1
9	Cast Iron closet flange	1
10	3/8" X 66" foam gasket material	1
11	Power cord gasket	1
12	3" Rubber gasket	1

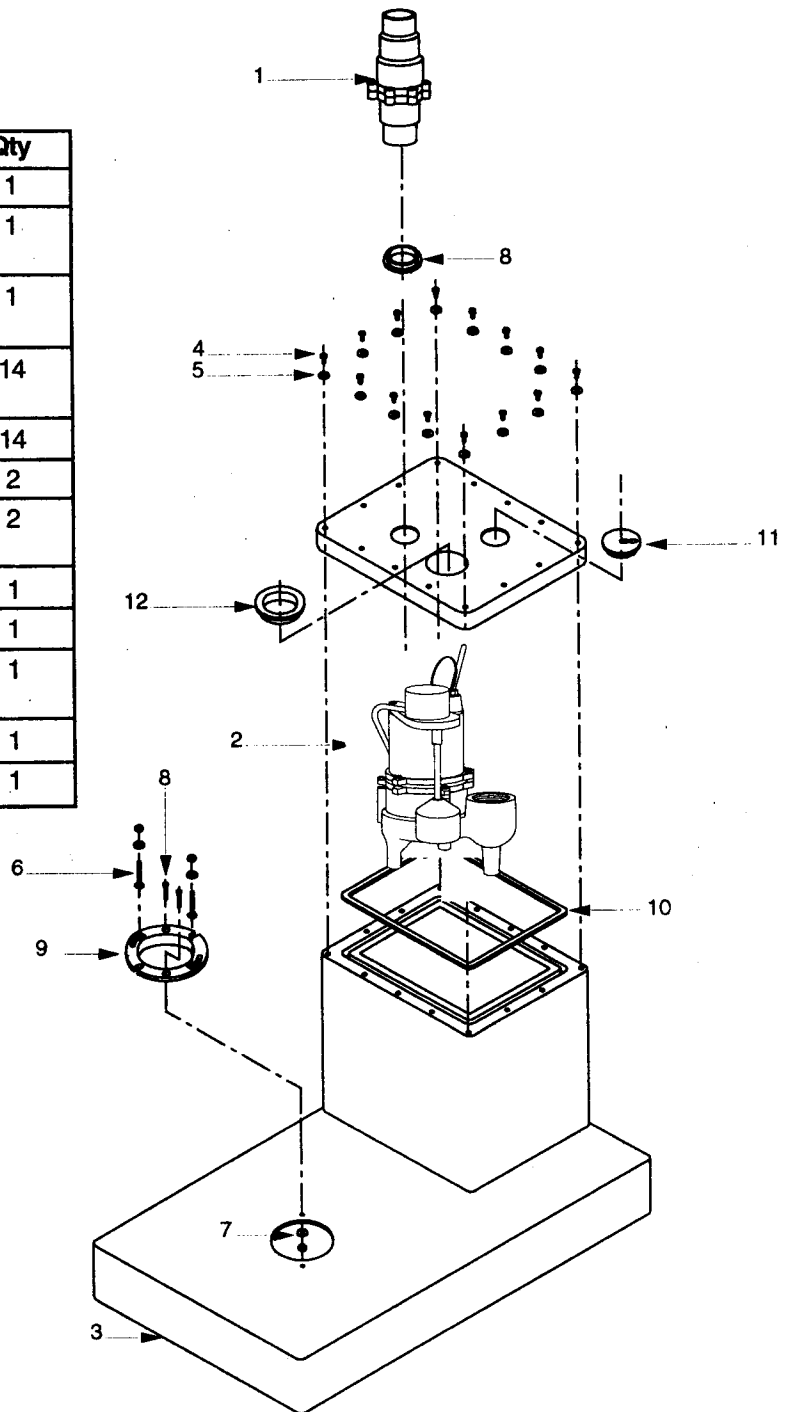


Fig. 3

MYERS LIMITED WARRANTY SUMP & RESIDENTIAL SEWAGE

During the time periods and subject to the conditions hereinafter set forth, **F. E. Myers** will repair or replace to the original user or consumer any portion of your new **MYERS product which proves defective due to defective materials or workmanship of MYERS**. Contact your nearest Authorized **MYERS** Dealer for warranty service. At all times **MYERS** shall have and possess the sole right and option to determine whether to repair or replace defective equipment, parts, or components. Damage due to lightning or conditions beyond the control of **MYERS** is NOT COVERED BY THIS WARRANTY.

WARRANTY PERIOD

Pumps: 12 months from date of purchase or 18 months from date of manufacture.

Labor, etc. Costs: **MYERS** shall IN NO EVENT be responsible or liable for the cost of field labor or other charges incurred by any customer in removing and/or reaffixing any **MYERS** product, part or component thereof.

THIS WARRANTY WILL NOT APPLY: (a) to defects or malfunctions resulting from failure to properly install, operate or maintain the unit in accordance with printed instructions provided; (b) to failures resulting from abuse, accident or negligence; (c) to normal maintenance services and the parts used in connection with such service; (d) to units which are not installed in accordance with applicable local codes, ordinances and good trade practices; or (e) unit is used for purposes other than for what it was designed and manufactured, and (f) if three phase submersible motors are installed on a single phase power supply using a phase converter or if three phase power is supplied by only two transformers, making an open Delta system.

RETURN OR REPLACED COMPONENTS: any item to be replaced under this Warranty must be returned to **MYERS** in Ashland, Ohio, or such other place as **MYERS** may designate, freight prepaid.

PRODUCT IMPROVEMENTS: **MYERS** reserves the right to change or improve its products or any portions thereof without being obligated to provide such a change or improvement for units sold and/or shipped prior to such a change or improvement.

WARRANTY EXCLUSIONS: **MYERS** SPECIFICALLY DISCLAIMS THE IMPLIED WARRANTIES OF MERCHANTABILITY AND FITNESS FOR A PARTICULAR PURPOSE AFTER THE TERMINATION OF THE WARRANTY PERIOD SET FORTH HEREIN.

Some states do not permit some or all of the above warranty limitations and, therefore, such limitations may not apply to you. No warranties or representations at any time made by any representatives of Myers shall vary or expand the provision hereof.

LIABILITY LIMITATION: IN NO EVENT SHALL **MYERS** BE LIABLE OR RESPONSIBLE FOR CONSEQUENTIAL, INCIDENTAL OR SPECIAL DAMAGES RESULTING FROM OR RELATED IN ANY MANNER TO ANY **MYERS** PRODUCT OR PARTS THEREOF. PERSONAL INJURY AND/OR PROPERTY DAMAGE MAY RESULT FROM IMPROPER INSTALLATION. **MYERS** DISCLAIMS ALL LIABILITY, INCLUDING LIABILITY UNDER THIS WARRANTY, FOR IMPROPER INSTALLATION -- **MYERS** RECOMMENDS FOLLOWING THE INSTRUCTIONS IN THE INSTALLATION MANUAL. WHEN IN DOUBT, CONSULT A PROFESSIONAL.

Some states do not allow the exclusion or limitation of incidental or consequential damages, so the above limitation or exclusion may not apply to you.

This Warranty gives you specific legal rights and you may also have other rights which vary from state to state.

In the absence of suitable proof of this purchase date, the effective date of this warranty will be based upon the date of manufacture.

DETERMINATION OF UNIT DATE OF MANUFACTURE: Submersible Sump pump (8-95) month and year stamped on pump nameplate; column sump pump month and year on red warranty tag.

Myers[®]
Pentair Pump Group 8

F. E. Myers, 1101 Myers Parkway, Ashland, Ohio 44805-1969
419/289-1144, FAX: 419/289-6658, www.femyers.com

Myers (Canada), 269 Trillium Drive, Kitchener, Ontario N2G 4W5
519/748-5470, FAX: 519/748-2553