

# CMV5

1/2 Horsepower  
Residential Sewage Pump



**T**HE CMV5 SEWAGE PUMP IS THE ECONOMICAL SOLUTION FOR RESIDENTIAL SEWAGE APPLICATIONS. Space-age thermoplastic technology provides corrosion-resistance, durability and the best available value. The vortex impeller will freely pass 2" solids . . . it will not clog! Contact your Myers distributor and see how the CMV5 can fulfill your residential sewage handling needs. For more information, call your Myers distributor today, or the Myers Ashland, Ohio, sales office at 419/289-1144.

## ADVANTAGES BY DESIGN

### DURABLE MOTOR WILL DELIVER MANY YEARS OF RELIABLE SERVICE.

- Oil-filled motor for maximum heat dissipation and continuous bearing lubrication.
- Overload protected shaded pole motor eliminates starting switches.
- Recessed vortex impeller provides minimal radial loading for long bearing life.

### THE CMV5 IS ENGINEERED FOR MANY YEARS OF MAINTENANCE-FREE OPERATION

- Wide-angle mercury-free mechanical float switch for maximum draw down.
- Recessed vortex impeller operates completely out of volute and provides free flow through passage for solids and liquids.

## PRODUCT CAPABILITIES

Capacities To	95 gpm	360 lpm
Heads To	18 ft. 19 ft. shutoff	5.5 m 5.8 m
Pump Down Range		
Float Switch	9-10"	228-254 mm
Solids Handling	2"	50.8 mm
Liquids Handling	raw sewage, effluent, drain water	
Intermittent Liquid Temp.	up to 140°F	up to 60°C
Motor	1/2 hp shaded pole 1625 rpm	
Electrical	115V, 12 amps, 1Ø, 60 Hz	
Acceptable pH Range	6 - 9	
Discharge, NPT	2"	50.8 mm
Minimum Sump Dia.		
Simplex	18"	457 mm
Duplex	30"	762 mm

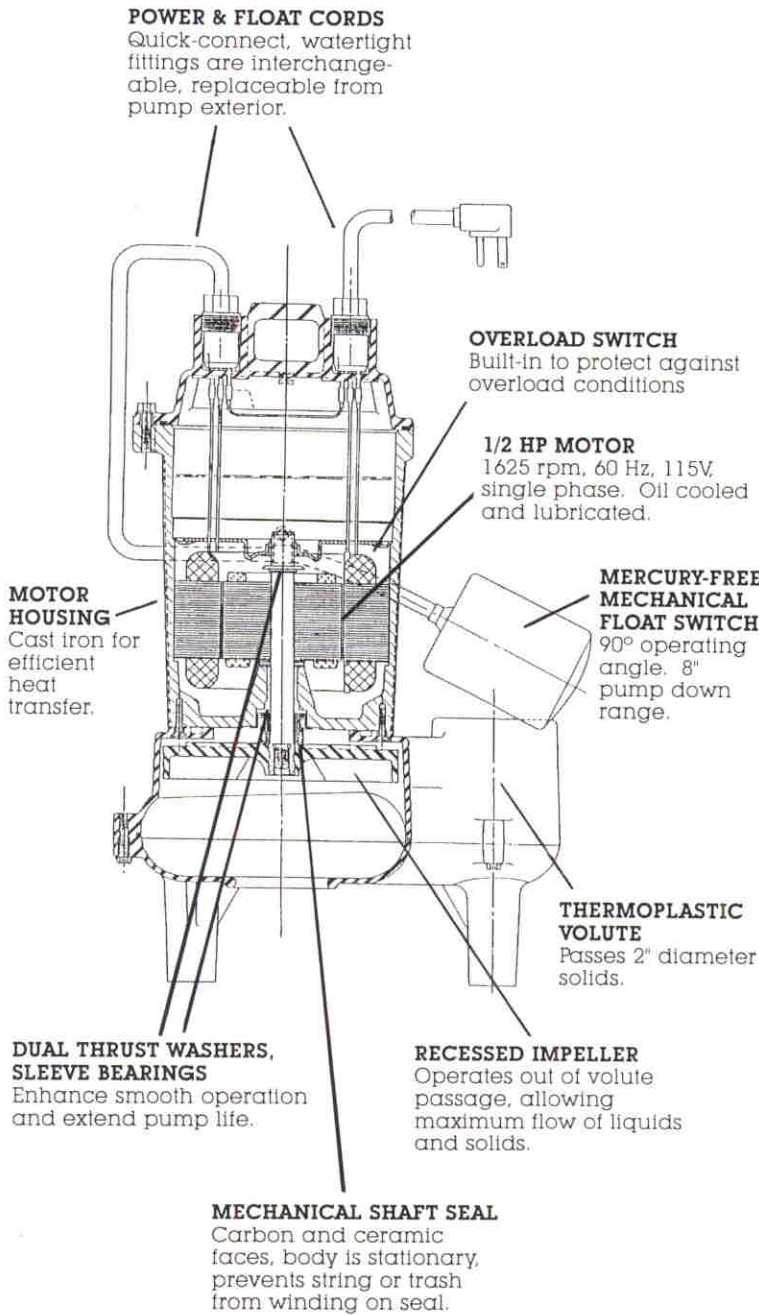
### Construction Materials

Motor Housing	cast iron
Volute Case	thermoplastic
Impeller	recessed, thermoplastic
Power Cord	20 ft., 16/3 SJOW/SJOW-A
Mechanical Seal	carbon and ceramic

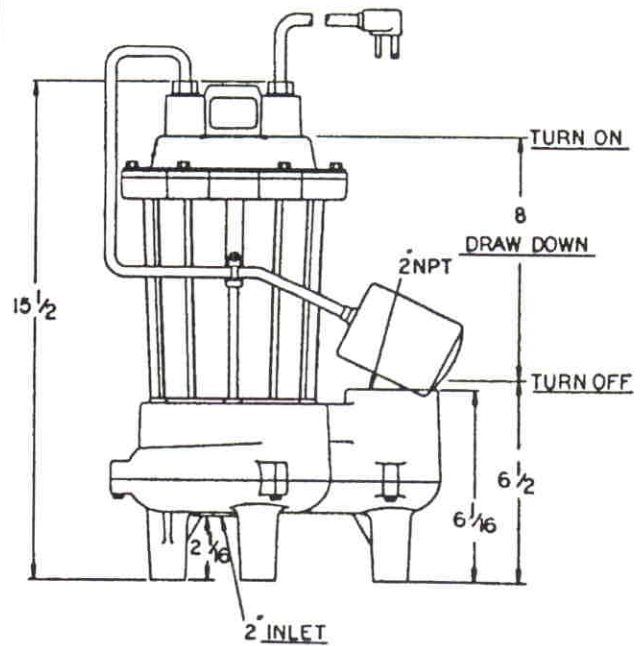
WHERE INNOVATION MEETS TRADITION

# CMV5

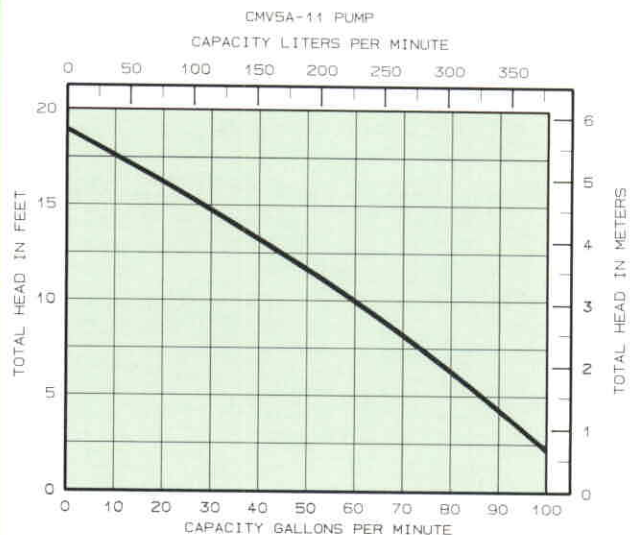
1/2 Horsepower  
Residential Sewage Pump



## DIMENSIONS



## PERFORMANCE CURVE



K3514 8/01  
Printed in U.S.A.



**Myers**  
Pentair Pump Group

F. E. Myers, 1101 Myers Parkway, Ashland, Ohio 44805-1969  
419/289-1144, FAX: 419/289-6658, www.femyers.com

Myers (Canada), 269 Trillium Drive, Kitchener, Ontario N2G 4W5  
519/748-5470, FAX: 519/748-2553