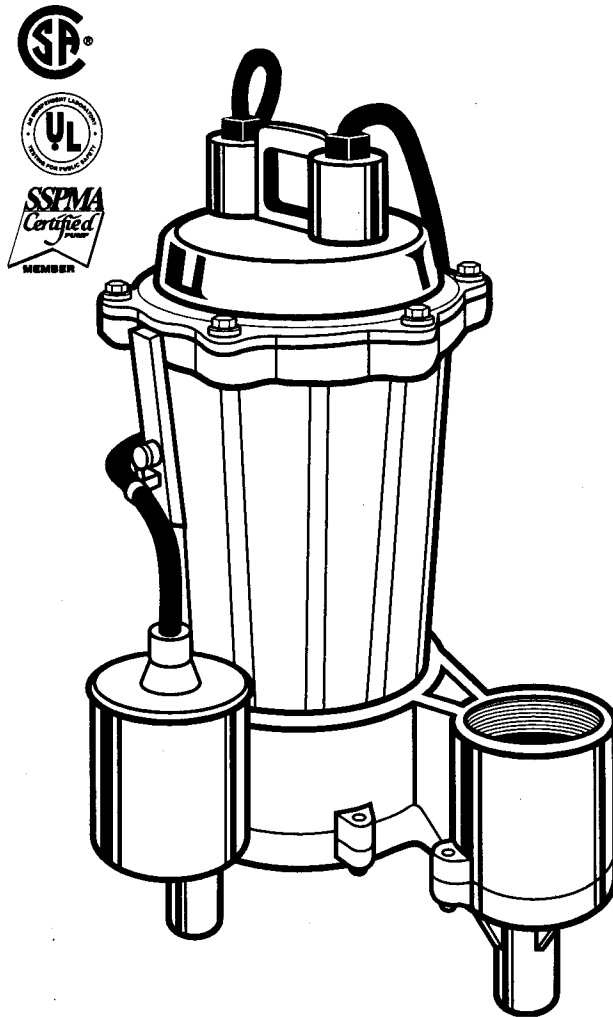


Myers®

CMV5A-11 Sewage Pump Installation and Service Manual & Repair Parts List



IMPORTANT INSTRUCTIONS BEFORE INSTALLATION

Failure to follow these instructions may cause serious bodily injury and/or property damage.

WARNING: Risk of electric shock - This pump is supplied with a grounding conductor and grounding type attachment plug. To reduce the risk of electric shock, connect only to a properly grounded grounding-type receptacle. This pump has not been investigated for use in swimming pool areas. Read instructions before installing pump.

1. Before installing or servicing your pump, BE CERTAIN pump power source is disconnected.
2. Installation and electrical wiring must adhere to state and local codes and must be complete before priming pump. Check appropriate community agencies, or contact local electrical and pump professionals.
3. **CALL AN ELECTRICIAN WHEN IN DOUBT.** Pump should be connected to a separate 15 amp circuit breaker or 15 amp fuse block. Plugging into existing outlets may cause low voltage at motor, causing blown fuses, tripping of motor overload, or burned out motor.
4. A permanent grounded connection from pump to the grounding bar at the service panel is mandatory. Water Ace sump pumps come with a grounding conductor and a grounding-type attachment plug. Do not connect pump to a power supply until permanently grounded. For maximum safety, ground pump to a circuit equipped with a fault interrupter device.
5. Voltage of power supply must match the voltage of the pump. All Myers sewage pumps are factory preset to 115V, 60 Hz.

6. Before installing pump, clear sump basin of any water, debris, or sediment. **WARNING: Sump basin must be vented in accordance with local plumbing codes. Myers sewage pumps are not designed for and CANNOT be installed in locations classified as hazardous in the National Electric Code, ANSI/NFPA 70.** These pumps have not been investigated for fountain or swimming pool areas.

7. The sump basin should be 18" in diameter and made of plastic, fiberglass, or concrete. It must be equipped with a gasketed, properly vented cover. Consult local plumbing codes for correct vent size.

8. The following may cause severe damage to pump and will void warranty:

- Using an extension cord.
- Cutting off the ground pin or using an adapter fitting.
- Working on pump or switch while plugged in.
- Removing motor housing, unscrewing impeller, or otherwise removing impeller seal.
- Running the pump continuously.
- Pumping chemicals or corrosive liquids.
- Pumping gasoline or other flammable liquids.

PIPING

PVC pipe is shown in the illustrations, but galvanized steel or copper pipe may be used if desired. All piping must be clean and free of all foreign matter to prevent clogging.

SUBMERSIBLE SEWAGE PUMP INSTALLATION

Refer to the installation illustration on the following page for the following instructions. Be certain sump basin is clean and all power to pump is shut off. If pump fails to operate properly after installation, refer to the troubleshooting checklist on page 6 or contact Myers. All parts with part numbers are quality Myers parts.

General Materials Needed

- One can PVC cement (read instructions carefully)
- One can thread compound (read instructions carefully)
- Three 2" male PVC adapters.
- Enough 2" rigid PVC pipe and couplings to reach from bottom of sump basin to discharge.
- One 2" PVC elbow.
- One 2" free-flow check valve #CV-200P.
- One shut-off gate valve.
- Basin with gasketed cover and vent.

Tools Needed for all pump installations

Pipe wrench, slot screwdriver, 24-tooth hacksaw, knife or round file.

STEP 1 Thread one 2" male PVC adapter into pump discharge opening. Cement enough PVC pipe and couplings onto adapter to reach out of sump basin. This is the discharge pipe.

STEP 2 Lower pump into sump basin as near to the center as possible. Cement 2" PVC elbow onto open end of discharge pipe. Cement a section of 2" PVC pipe to open end of elbow.

STEP 3 Fasten check valve #CV-200P onto open end of discharge pipe. Thread a 2" male PVC adapter into either side of 2" shut-off gate valve.

STEP 4 Fasten open end of check valve #CV-200P onto a section of PVC pipe. Cement open end of PVC pipe onto 2" shut-off gate valve with male PVC adapters.

STEP 5 Cement final section of PVC pipe to open end of shut-off gate valve. Fill sump basin with water and plug in pump. Pump should turn on at approximately 15" water level. Perform several ON-OFF cycles to assure satisfactory operation.

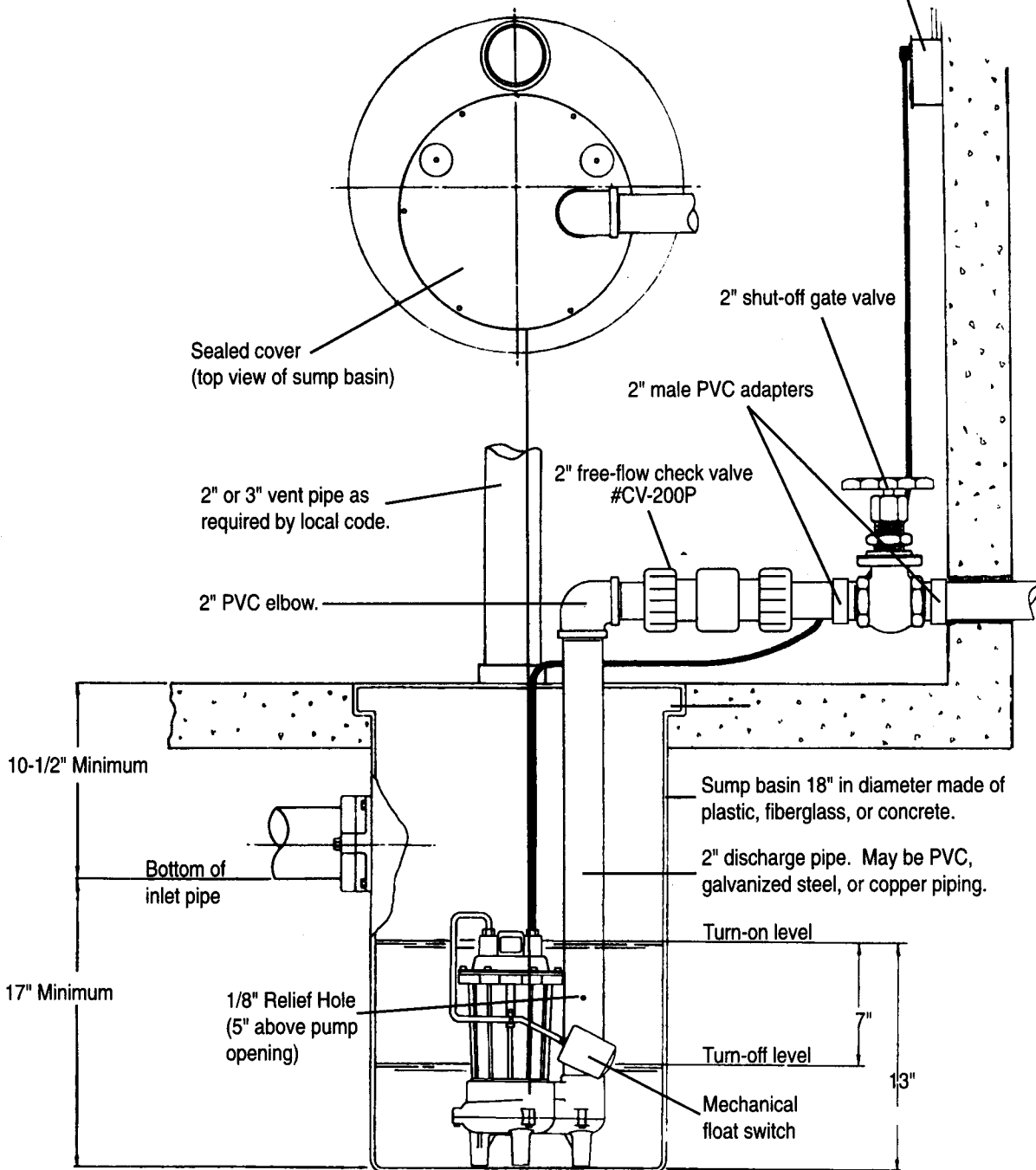
STEP 6 Install gasketed cover and vent onto basin.

COMPLETE PUMP INSTALLATION

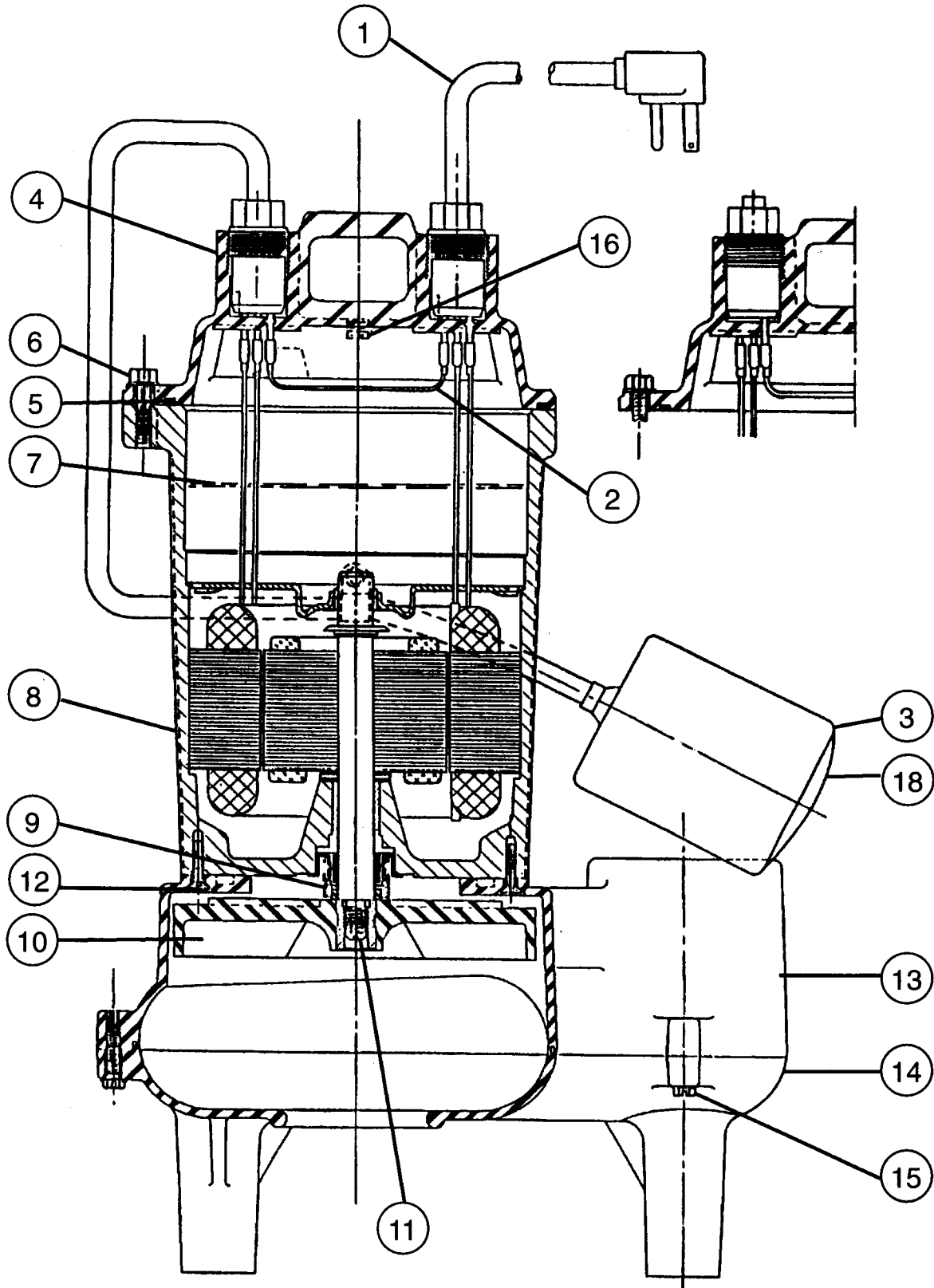
PERFORMANCE TABLE (in gallons per minute)

PUMP MODEL	TOTAL HEAD (vertical pumping distance) IN FEET										
	2	4	6	8	10	12	14	16	18	20	22
CMV5A-11	100	92	82	72	60	47	35	20	7	—	—

Grounded type 115 volt receptacle. Minimum height of 4 feet above floor.



REPAIR PARTS



REPAIR PARTS LIST

Ref. No.	Description	Part Number	Quantity
1	Cord, Electric, 20 ft.	21628B044	1
2	Wire with Terminals, 4-1/2" Lg.	09859A800	1
3	Switch, Float, Mechanical	25798A500	1
4	Cap, Motor	24431C071	1
5	Ring, "O"	05876A146	1
6	Screw, Machine, 1/4" x 7/8" Long	18475A003	6
7	Oil, Transformer	24709110000	48 oz.
8	Housing, & Stator	24446C013	1
9	Seal, Shaft, Rotary 1/2"	21607A001	1
10	Impeller	21610B000	1
11	Loctite, Impeller Threads	14550A001	1 Drop
12	Screw, Machine, Flat Head #10-24 x 5/8" Lg.	07597A030	4
13	Case, Volute Top	24637D000	1
14	Case, Volute Bottom	24638D000	1
15	Screw, Self Tapping, #10 x 1" Lg.	09822A036	8
16	Plug, Pipe, 1/4" Countersunk	05022A056	1
17	Tie, Plastic	17190A008	1
18	Screw, Self Tapping #10 x 1/2" Lg.	09822A006	1
19	Instructions	23833A314	1

TROUBLESHOOTING CHECKLIST (CAUTION: SHUT OFF POWER TO PUMP)

PROBLEM	POSSIBLE CAUSES
Pump does not run or hums.	<ul style="list-style-type: none"> • Line circuit breaker is off, or fuse is blown or loose. • Water level in sump has not reached turn-on level as indicated in installation drawing. • Pump cord is not making contact in receptacle. • Float is stuck. It should operate freely in basin. • If all of the above are OK, then the motor winding may be open.
Pump runs but does not deliver water.	<ul style="list-style-type: none"> • Check valve is installed backwards. Arrow on valve should point in direction of flow. • Discharge shut-off valve (if used) may be closed. • Pump is air-locked. Start and stop several times by plugging and unplugging cord. Check for clogged vent hole in pump case. • Impeller or volute openings are fully or partially clogged. Remove pump and clean. • Inlet holes in pump base are clogged. Remove pump and clean the openings. • Vertical pumping distance is too high. Reduce distance or resize pump.
Pump runs and pumps out sump, but does not stop.	<ul style="list-style-type: none"> • Float is stuck in up position. Be sure float operates freely in basin. • Defective float switch. Replace Float Switch.
Pump runs but delivers only a small amount of water.	<ul style="list-style-type: none"> • Pump is air-locked. Start and stop several times by plugging and unplugging cord. Check for clogged vent hole in pump case. • Vertical pumping distance is too high. Reduce distance or resize pump. • Inlet holes in pump base are clogged. Remove pump and clean the openings. • Impeller or volute openings is fully or partially clogged. Remove pump and clean. • Pump impeller is partially clogged with foreign matter, causing motor to run slow and overload. Remove pump and clean.
Fuse blows or circuit breaker trips when pump starts.	<ul style="list-style-type: none"> • Pump impeller is partially clogged with foreign matter, causing motor to run slow and overload. Remove pump and clean. • Motor stator may be defective. • Fuse size or circuit breaker may be too small. Must be 15 amps. • Impeller or volute openings are fully or partially clogged. Remove pump and clean.
Motor runs for a short time, then stops.	<ul style="list-style-type: none"> • Inlet holes in pump base are clogged. Remove pump and clean the openings. • Pump impeller is partially clogged with foreign matter, causing motor to run slow and overload. Remove pump and clean. • Motor stator may be defective. • Impeller or volute openings are fully or partially clogged. Remove pump and clean.

MYERS LIMITED WARRANTY

F.E. MYERS warrants that its products are free from defects in material and workmanship for a period of 12 months from the date of installation or 18 months from the date of manufacture, whichever occurs first.

During the warranty period, and subject to the conditions hereinafter set forth, F.E. MYERS will repair or replace to the original user or consumer parts which prove defective due to defective materials or workmanship of MYERS. This remedy is exclusive and is the only remedy available to any person with respect to such MYERS product. Contact your nearest authorized MYERS distributor or MYERS for warranty service. At all times MYERS shall have and possess the sole right and option to determine whether to repair or replace defective equipment, parts or components.

Start-up reports and electrical system schematics may be required to support warranty claims. This warranty is effective only if MYERS supplied or authorized control panels are used.

LABOR, ETC. COSTS: MYERS shall IN NO EVENT be responsible or liable for the cost of field labor or other charges incurred by any customer in removing and/or reaffixing any MYERS product, part or component thereof.

THIS WARRANTY WILL NOT APPLY: (a) to defects or malfunctions resulting from failure to properly install, operate or maintain the unit in accordance with printed instructions provided; (b) to failures resulting from abuse, accident, or negligence; (c) to normal maintenance services and the parts used in connection with such service; (d) to units which are not installed in accordance with applicable codes, ordinances and good trade practices; or (e) if the unit is moved from its original installation locations, and (f) unit is used for purposes other than for what it was designed and manufactured.

RETURN OR REPLACED COMPONENTS: any item to be replaced under this Warranty must be returned to MYERS at Ashland, Ohio, or such place as MYERS may designate, freight prepaid.

PRODUCT IMPROVEMENTS: MYERS reserves the right to change or improve its products or any portions thereof without being obligated to provide such a change or improvement for units sold and/or shipped prior to such change or improvement.

WARRANTY EXCLUSIONS: as to any specific MYERS product, after the expiration of the time period of the warranty applicable thereto as set forth above. THERE WILL BE NO WARRANTIES, INCLUDING ANY IMPLIED WARRANTIES OF MERCHANTABILITY OR FITNESS FOR ANY PARTICULAR PURPOSE.

Some states do not allow limitations on how long an implied warranty lasts, so the above limitation may not apply to you. No warranties or representations at any time made by any representative of MYERS shall vary or expand the provisions hereof.

LIABILITY LIMITATION: IN NO EVENT SHALL MYERS BE LIABLE OR RESPONSIBLE FOR CONSEQUENTIAL, INCIDENTAL OR SPECIAL DAMAGES RESULTING FROM OR RELATED IN ANY MANNER TO ANY MYERS PRODUCT OR PARTS THEREOF.

Some states do not allow the exclusion or limitation of incidental or consequential damages, so the above limitation or exclusion may not apply to you.

This Warranty gives you specific legal rights and you may also have other rights which vary from state to state.

Direct all notices, etc. to: Warranty Service Department, F.E. Myers, 1101 Myers Parkway, Ashland, Ohio 44805.

Myers®

F.E. Myers, 1101 Myers Parkway, Ashland, Ohio 44805-1969
419/289-1144, FAX: 419/289-6658, TLX: 948-7443