



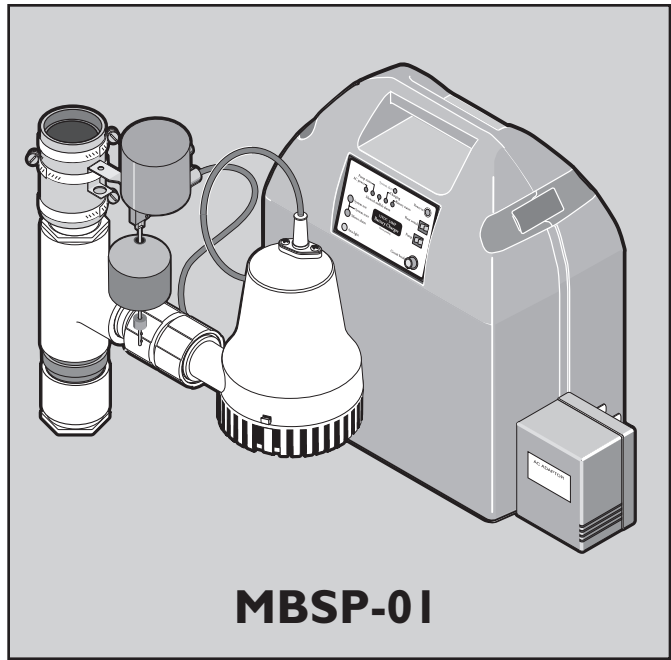
Pentair Water

1101 Myers Parkway
Ashland, OH 44805
Phone: 1-888-987-8677
Fax: 1-888-840-7867
Web Site: <http://www.myerspump.com>

OWNER'S MANUAL
Battery Backup System

NOTICE D'UTILISATION
Système de secours à batterie

MANUAL DEL USUARIO
Sistema de batería de respaldo



Installation/Operation/Parts

For further operating, installation, or maintenance assistance:

Call 1-888-987-8677

English Pages 2-11

Installation/Fonctionnement/Pièces

Pour plus de renseignements concernant l'utilisation, l'installation ou l'entretien,

Composer le 1 (888) 987-8677

Français Pages 12-21

Instalación/Operación/Piezas

Para mayor información sobre el funcionamiento, instalación o mantenimiento de la bomba:

Llame al 1-888-987-8677

Español Páginas 22-31

READ AND FOLLOW SAFETY INSTRUCTIONS!

! **This is the safety alert symbol.** When you see this symbol on your pump or in this manual, look for one of the following signal words and be alert to the potential for personal injury!

⚠ DANGER warns about hazards that **will** cause serious personal injury, death or major property damage if ignored.

⚠ WARNING warns about hazards that **can** cause serious personal injury, death or major property damage if ignored.

⚠ CAUTION warns about hazards that **will** or **can** cause minor personal injury or property damage if ignored. The word **NOTICE** indicates special instructions which are important but not related to hazards.

1. To avoid risk of serious bodily injury due to electrical shock or burns and property damage due to flooding, read the safety instructions carefully before installing pump.

⚠ WARNING **Battery acid is corrosive. Do not spill on skin, clothing, or battery charger.** Wear eye and head protection when working with battery. Connect and disconnect DC output terminals only after removing the charger from the AC outlet. Never allow the DC terminals to touch each other.

⚠ WARNING **Hazardous Voltage. Can cause severe or fatal electrical shock.** Do not plug in or unplug battery charger while standing on a wet floor or in water. Be sure one hand is free when plugging in or unplugging charger. If basement floor is wet, disconnect power to basement before walking on floor.

⚠ CAUTION **Risk of flooding. Do not run pump dry.** To do so will damage seals and can cause leaking and property damage.

2. Follow local and/or national plumbing and electrical codes when installing the system. A ground fault circuit interrupter (GFCI) is recommended for use on any electrical appliance submerged in water.
3. Use this system only for backup sump pump duty in a residential application. It is not designed as a primary sump pump.
4. Do not lift pump by electrical cord.

⚠ WARNING **Risk of electrical shock.** Do not lift the pump by the electrical cord; lift pump only by the discharge pipe, lifting ring or handle on the pump. Lifting by the cord can damage the cord.

5. Pump clear water only with this pump.
6. Pump is permanently lubricated at the factory. Do not try to lubricate it!
7. Keep battery charger and battery box off of the floor and in a dry, cool, well ventilated area.
NOTICE: If a Carbon Monoxide (CO) sensor is installed, it must be at least 15 feet away from battery charger in order to avoid nuisance CO alarms. Please refer to your CO detector's installation guidelines for more information.
8. To avoid danger of fire or explosion, keep sparks and flame (pilot light) away from battery.
9. Maximum vertical pumping distance is 16 feet (4.9M) for Model MBSP-01.
10. Make sure sump is clear of debris. Debris can damage the pump which can result in flooding.

GENERAL INFORMATION

The battery back-up sump system is not a substitute for your primary sump pump. It is designed to temporarily back up your primary sump pump during a power outage or other problem which prevents normal operation of the primary pump. Do not use this system to pump flammable liquids or chemicals. Pump clear water only with this pump.

Keep the battery charger dry and protected from damage.

This system is designed to work with a deep cycle marine battery, either a flooded lead-acid battery or a sealed maintenance free lead-acid AGM battery. In an emergency (such as an extended power outage) which depletes the system deep cycle battery, your automobile battery may be temporarily substituted. Be sure to replace the system deep cycle battery as soon as possible. Use of an automobile battery instead of a deep cycle battery in this system will significantly reduce the system's total performance. Automobile batteries are not designed for this type of application and will be quickly ruined by the repeated charge/discharge cycling.

NOTICE: This system is not designed for applications involving salt water or brine! Use with salt water or brine will void warranty.

BATTERY BACKUP SYSTEM (BBU) INSTALLATION AND OPERATION

NOTICE:

- Install this system during a time when the primary pump will not be needed. Gather all supplies before starting. Read all warnings and installation steps before you start.
- Be prepared for water to leak from the coupling or piping when disassembling or cutting the discharge pipe. Protect system components, tools and supplies from getting wet. Dry any work areas that get wet.

- Side cutters
- Hacksaw (to cut PVC pipe)
- Medium size pliers
- Pencil
- Teflon tape
- PVC glue (solvent weld)
- PVC pipe cleaner
- Cloth towel
- 100-120 Ampere-Hour Marine Deep Cycle Battery (sold separately)

Required Battery Capacity:

Single Battery: 120 ampere-hour maximum.
 Double Batteries: 100 ampere-hours per battery (200 ampere-hours total)

BASIC TOOLS AND MATERIALS NEEDED

- Channel locks or large pliers
- Tape measure
- Socket wrench or 5/16" Nut driver

▲ WARNING **Personal injury and flood hazard.** Do not turn the pump on until all the fittings are glued and the glue has dried. Loose fittings can explode off of pipes and cause personal injury and flooding.

LIMITED WARRANTY

F.E. MYERS warrants to the original consumer purchaser ("Purchaser" or "You") of the products listed below, that they will be free from defects in material and workmanship for the Warranty Period shown below.

Product	Warranty Period
Jet pumps, small centrifugal pumps, submersible pumps and related accessories	<i>whichever occurs first:</i> 12 months from date of original installation, or 18 months from date of manufacture
Fibrewound Tanks	5 years from date of original installation
Steel Pressure Tanks	5 years from date of original installation
Sump/Sewage/Effluent Products	12 months from date of original installation, or 18 months from date of manufacture

Our warranty will not apply to any product that, in our sole judgement, has been subject to negligence, misapplication, improper installation, or improper maintenance. Without limiting the foregoing, operating a three phase motor with single phase power through a phase converter will void the warranty. Note also that three phase motors must be protected by three-leg, ambient compensated, extra-quick trip overload relays of the recommended size or the warranty is void.

Your only remedy, and F.E. MYERS's only duty, is that F.E. MYERS repair or replace defective products (at F.E. MYERS's choice). You must pay all labor and shipping charges associated with this warranty and must request warranty service through the installing dealer as soon as a problem is discovered. No request for service will be accepted if received after the Warranty Period has expired. This warranty is not transferable.

F.E. MYERS SHALL NOT BE LIABLE FOR ANY CONSEQUENTIAL, INCIDENTAL, OR CONTINGENT DAMAGES WHATSOEVER.

THE FOREGOING WARRANTIES ARE EXCLUSIVE AND IN LIEU OF ALL OTHER EXPRESS AND IMPLIED WARRANTIES, INCLUDING BUT NOT LIMITED TO THE IMPLIED WARRANTIES OF MERCHANTABILITY AND FITNESS FOR A PARTICULAR PURPOSE. THE FOREGOING WARRANTIES SHALL NOT EXTEND BEYOND THE DURATION EXPRESSLY PROVIDED HEREIN.

Some states do not allow the exclusion or limitation of incidental or consequential damages or limitations on the duration of an implied warranty, so the above limitations or exclusions may not apply to You. This warranty gives You specific legal rights and You may also have other rights which vary from state to state.

This warranty supersedes and replaces all previous warranty publications.

F.E. MYERS
1101 Myers Parkway, Ashland, OH 44805-1989
Phone: 888-987-8677 • Fax: 888-840-7867 • www.femyers.com

BBU INSTALLATION INSTRUCTIONS

⚠ WARNING Risk of electrical shock. At the circuit breaker or fuse box, turn off the electrical power to the sump pump before beginning this installation.

Setup

1. Locate the high water level in your sump pit (that is, the water level at which the existing (primary) sump pump starts - see Figure 1). Mark this point on the discharge pipe with a pencil or marker.
2. Drain the sump pit as far as possible without running the pump dry. Do this by:
 - A) PIGGYBACK SWITCH: Unplug the pump and switch from the outlet, then unplug the pump from the piggyback switch. Reset the circuit breaker or reinstall the fuse and plug the pump directly into the outlet. The pump will start. Drain the pit and unplug the pump. OR
 - B) NO PIGGYBACK SWITCH: Reset the circuit breaker or reinstall the fuse and use a non-conducting broom handle or stick to raise the float switch; the pump should start. Drain the pit and then release the switch.
 - C) ALL INSTALLATIONS: When the pit has drained, turn off (open) the circuit breaker or remove the fuse again to avoid electrical shock while working on the installation.
3. Support the discharge pipe so that it can't collapse when you take it apart or cut it.
4. If your discharge pipe has a hose coupling, disconnect the coupling. If not, cut the vertical discharge pipe at any convenient spot above the floor level.
5. Lift the pump and attached pipe out of the sump pit.

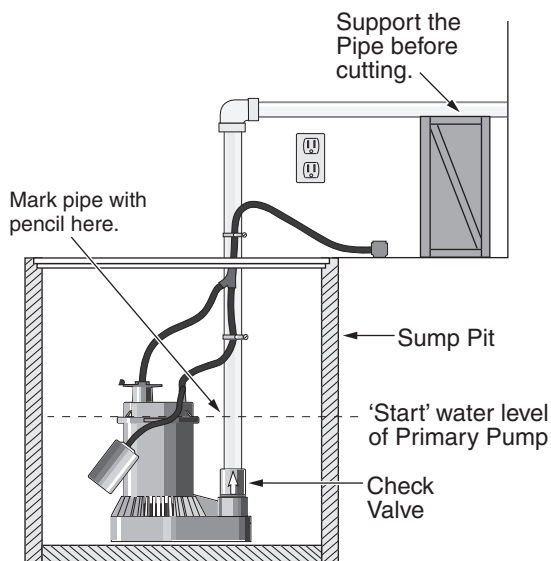
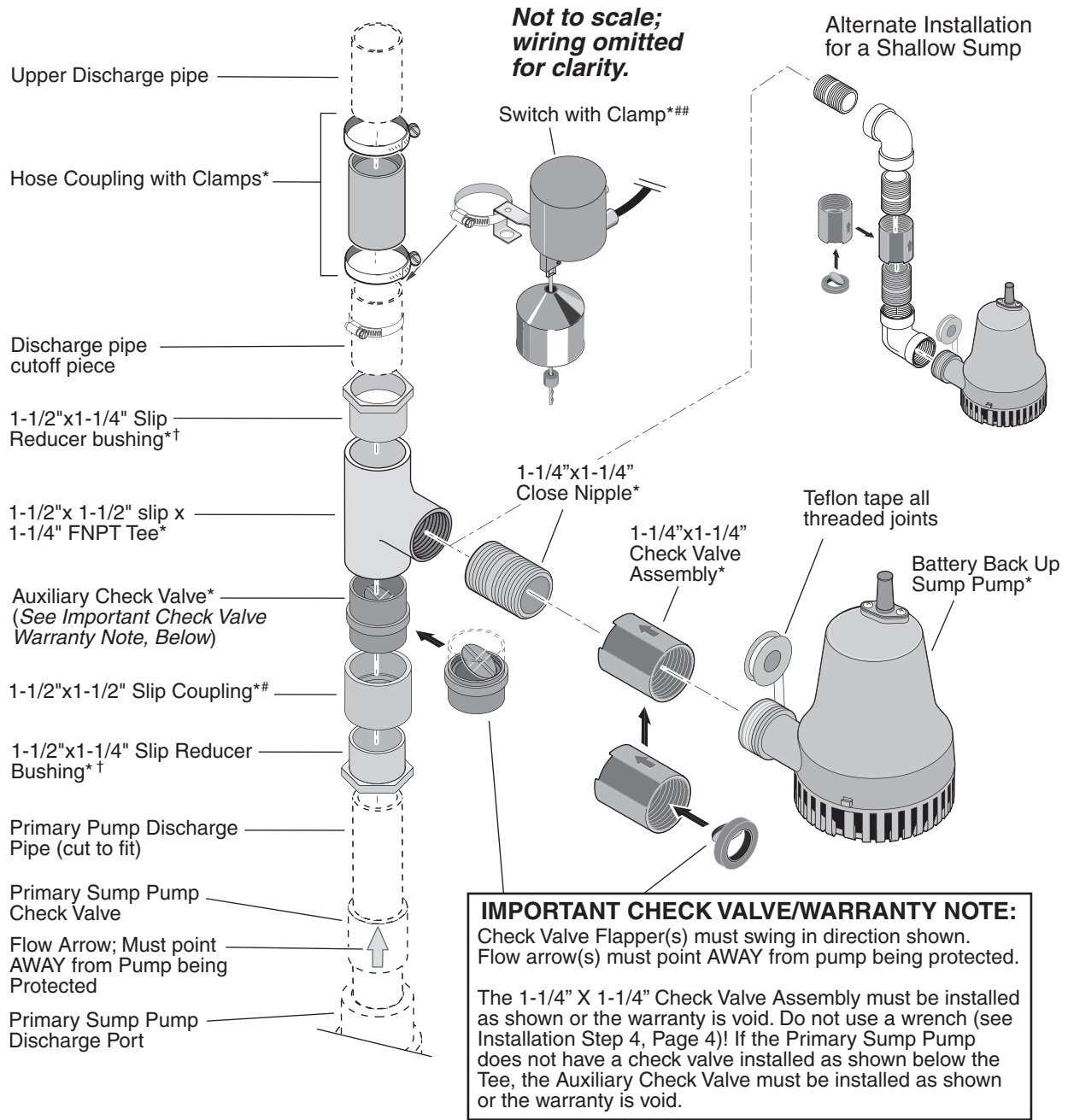


Figure 1: Mark pipe at 'start' water level

Installation

1. Study Figure 2 for suggested layouts. The **Easy-Install** layout works better for deeper sumps and allows a smaller diameter sump (diameter 13-1/2" or larger, depth more than 22"). The **Alternate** layout works better for wider, shallower sump pits (diameter 18" or larger, depth 18-22"). The Alternate layout will require that you purchase (2) 1-1/4" x 90° elbows and (2) 1-1/4" x close pipe nipples. Other layouts may require more pipe fittings.
2. Find the high water level mark you made on the discharge pipe in "Setup, Step 1". Cut the pipe at this point and set the cut-off piece aside for use later. Clean up and debur the cut ends.
3. Wrap the threads of the Battery Back Up pump (BBU pump) and the 1-1/4" x close nipple with 1-1/2 – 2 turns of teflon tape (see Figure 2). Leave the first thread free of tape and wrap **clockwise** (↻).
4. Thread the tee, the close nipple, the 1-1/4" x 1-1/4" check valve, and the BBU pump together. To get them tight, hold the pump and insert a large screwdriver down through the tee and tighten the whole assembly with the screwdriver. **DO NOT OVERTIGHTEN!** When the assembly is tight, the pump and tee should align vertically (no twist – see Figure 2).
5. Glue the cut-off piece of pipe (which you set aside in Step 2) into the top of the tee. **NOTE:** If your discharge pipe is 1-1/4" inch, glue one of the reducer bushings supplied with the system into the tee, then glue the pipe into the bushing.
6. Look at your primary pump to determine if you have a check valve in or near the pump discharge. If not, install the auxiliary check valve in the bottom arm of the tee and install the slip coupling on the check valve (see Figure 2). For 1-1/4" discharge pipe, glue the remaining reducer bushing into the slip coupling. **NOTE:** If the primary pump assembly already includes a functioning check valve, do not use the auxiliary check valve included in the BBU system. You need one check valve between the primary pump and the tee (to prevent backflow from either pump into the sump pit), but two check valves will restrict the pipe too much.
7. Trial Fit (NO GLUE YET): Place the primary pump assembly back in the sump pit and add (dry) the tee/check valve/BBU pump assembly to it. If necessary, also include the 1-1/2 x 1-1/4 reducer bushing and the slip coupling and auxiliary check valve (see "NOTE", above).
8. Measure the assembly against the hanging upper discharge pipe (where you cut it in Step 1 under "Setup"). Mark the discharge pipe coming up from the tee 1/4" below the point of overlap (that is, you should have an air gap of 1/4" after you cut the pipe). Don't cut anything yet.

“Easy Install” Layout



Notes:

- * Supplied with the Battery Backup System.
- † Use if necessary to adapt a 1-1/4" discharge pipe to the 1-1/2" fittings supplied.
- # Use to adapt the auxiliary check valve to the discharge pipe.
- ## Water level when the switch shuts off must be above the BBU pump intake.

Figure 2: Typical Installation Layouts

9. Study the assembly in the pit for a moment and then adjust it so that nothing interferes with the primary pump or its switch. Mark the joints with a permanent marker so that you can realign everything after you pull it out of the pit for gluing (see Figure 3).
NOTE: Take your time with this - it takes care but isn't very difficult. Be sure you leave enough room for the BBU pump's vertical switch. Mark everything that might move!
10. After you have marked everything, remove the assembly from the pit.
11. Cut off the vertical discharge pipe at the cut point you marked in Step 8. BE SURE YOU ARE CUTTING ON THE RIGHT MARK!
12. Recheck the alignment and glue up all the joints on the primary pump assembly.
NOTE: You may need to support the assembly, which won't balance very well, in order to preserve the alignment while gluing it. Check this before you start gluing. Another pair of hands may help here!
13. After the glue has set, slide the hose coupling and its clamps down over the assembled discharge pipe. If the pipe is 1-1/4", be sure to use the two reducing inserts included with the coupling.
14. Hook the switch clamp over the switch bracket and slide the assembly down over the hose coupling and discharge pipe. Clamp the switch so that the water level when the switch shuts off is above the BBU pump's intake.
15. Replace the assembly in the pit, slide the hose coupling up over the air gap so that it joins the pipes, and tighten the clamps enough to keep it there.

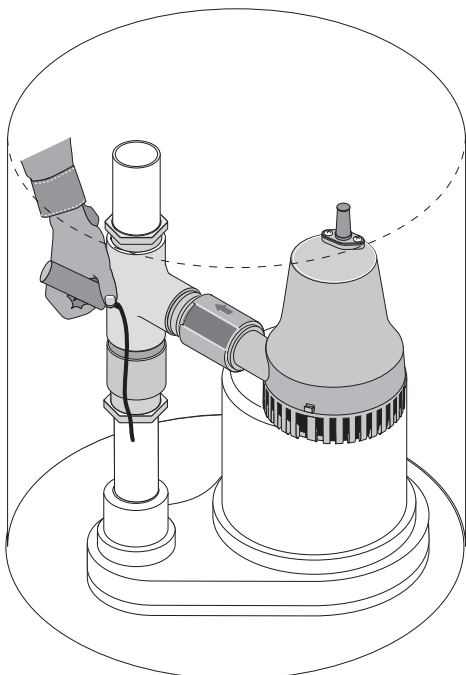
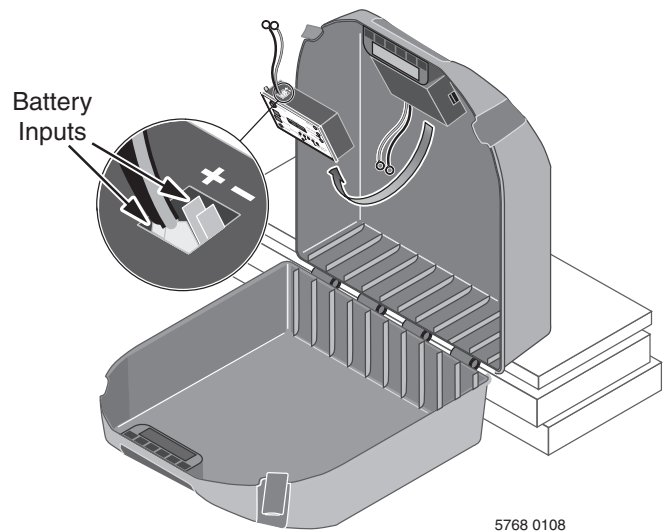


Figure 3: Mark joints for gluing

16. Check fit, alignment, etc. If everything looks good, make sure that the BBU vertical switch is at the right height and free of obstructions, then tighten the hose clamps on the coupling.
17. Adjust the rod stop location on the BBU float rod to give the desired switch travel. If necessary, nip off the bottom of the float rod to provide clearance.

BBU WIRING AND SETUP

See Figures 4, 5, and 6 for battery installation and connection information.



5768 0108

Figure 4: The battery input is inside the battery case. Support the case when opening it. The support must be at least 4" thick.

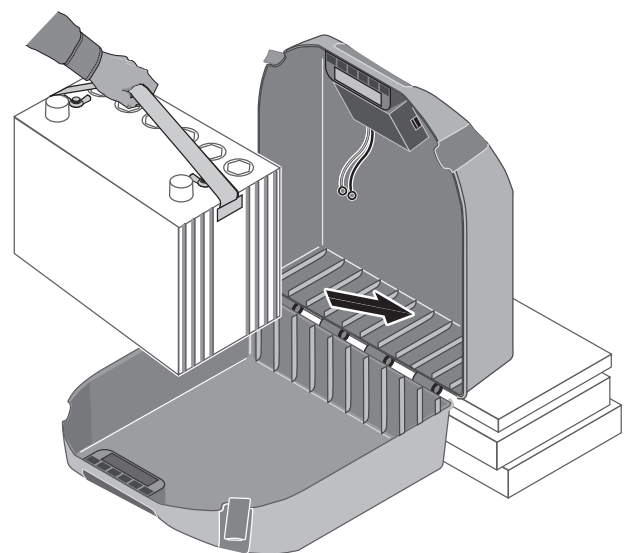


Figure 5: Install the battery in the case. Have someone support the case while you do this. Once the battery is in the case, connect the leads from the charger/controller: +(Red) to +(Red), and -(Black) to -(Black).

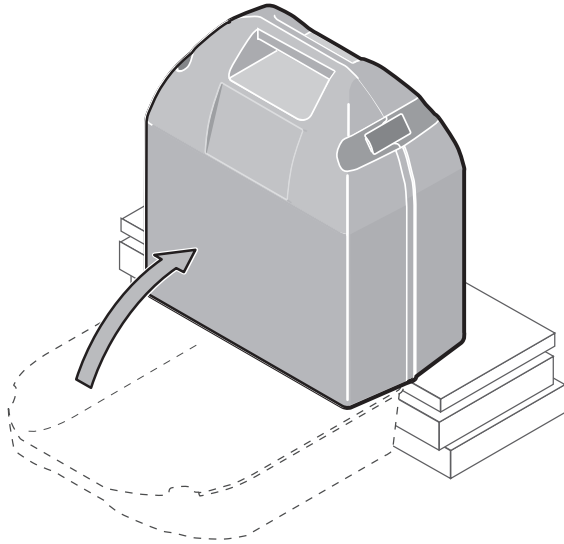


Figure 6: Close and latch the case while holding it in position.

1. The pump leads are polarity sensitive; connect the positive pump lead to the terminal labeled 'Pump +' and the negative pump lead to the terminal labeled 'Pump -'.
NOTE: If the leads are reversed, the pump will run backward and not pump water.
2. The vertical float switch leads are not polarity sensitive; connect the float switch leads to the 'Float Switch' tabs on the Charger/Controller. If you are using two batteries, use the second set of terminals and connect the second battery in the same manner. Connect the *positive* (+) battery lead (red) to the positive Charger/Controller terminal (red). Connect the *negative* (-) battery lead (black) to the negative terminal (black) on the Charger/Controller.
3. Test the float switch and the pump by lifting and holding the float rod. The 'Pump Status' LED will light continuously and the buzzer will beep steadily. The pump should start after 3 seconds. If the pump does not run, check all the connections and remake them as necessary.
4. With the pump operating, press the 'Silence Alarm' button; hold for one second; release. The 'Silenced Alarm' LED should illuminate and the buzzer should stop sounding. To reset the buzzer (make it sound) and extinguish the 'Silenced Alarm' LED, press the 'Silence Alarm' button again for one second.
- 5A. To stop the pump, lower the float switch; after 3 seconds the pump should stop, the 'Pump Status' LED should flash, and the buzzer should beep.
- 5B. Depress the 'System Test' button; hold it for one second; release. The 'Pump Status' LED should stop flashing.
NOTE: During normal operation, the flashing 'Pump Status' LED indicates that the pump has run in your absence. See Table II, "Operating Code Displays", Page 9.

6. Press and hold 'System Test' button. All LEDs will light up, pump will run and buzzer will sound. Release the button and LEDs should go off, pump should stop, buzzer should stop.
7. The 'Battery Status' LED indicates the battery capacity when the A.C. power is off.
 - A. Continuously 'ON' - the battery voltage is above 10.9 Volts Direct Current (10.9VDC) and capacity is above 20%.
 - B. Slow Beep/Slow LED Flash - the battery's capacity is between 0 and 20%.
 - C. Fast Beep/Fast LED Flash - the battery is severely discharged. The battery will continue to charge (as long as the 115V AC power to the charger is on) at the rate of .5 AH until the battery's charge is above 20%.

When the first warning occurs (slow beep/slow flash), you will have approximately 2 hours (or less) of pump operation left. The actual time of operation will depend on the condition of the battery and may be as little as 15 minutes.

8. Connect the Power Supply cable (supplied) to the Charger/Controller's Power Input jack.

LED Display and Control Buttons (Tables II, III, IV, and V)

NOTE: When the unit is first plugged in, or when it first receives power from the battery, the Battery Status LED will flash for 3 seconds.

NOTE: To activate any Control Button, depress and hold it for 1 second.

Possible Remedies

1. **Wrong Battery Voltage**
Reconnect charger to a 12 volt battery.
2. **Reversed Battery Connections**
Check all connections. The negative (black) on the battery must connect to the negative (black) on the charger, and the positive on the battery must connect to the positive on the charger. Reversing the battery connections will cause the 'System Alert' and 'Silenced Audible Alarm' LEDs to flash.
3. **Thermal Runaway Condition**
"Thermal Runaway" is the technical term for the condition of the battery when some (or all) of the cells have deteriorated to the point that they won't take a charge. In this case, replace the battery.
4. **Charge Time Monitor – 1 and 2**
Battery took too long to complete its charge. The 'Charge Time Monitor' will shut down the charger after 84 hours of continuous charging.
Possible causes are:
 - A) Pump ran for a long period of time during charging, or
 - B) Battery is too large for the charger (including several batteries connected in a parallel circuit).

Apply the formula in Table I to determine whether or not your battery is too large for the charger. If the calculated charging time is more than 84 hours, use a smaller battery (or group of batteries).

TABLE I – Battery Capacity Calculation

$\text{Charge Time} = \frac{\text{Battery Capacity in Ampere Hours (AH)}}{2 \text{ Amps}} \times 1.25$
<p>Example 1:</p> $\text{Charge Time} = \frac{130 \text{ Ampere Hours}}{2 \text{ Amperes}} \times 1.25 =$ $\text{Charge Time} = \frac{130\text{H}}{2} \times 1.25 = 65\text{H} \times 1.25 = 81.25 \text{ Hrs}$ <p>Less than 84 hours to charge; OK to use.</p>
<p>Example 2:</p> $\text{Charge Time} = \frac{160 \text{ Ampere Hours}}{2 \text{ Amperes}} \times 1.25 =$ $\text{Charge Time} = \frac{160\text{H}}{2} \times 1.25 = 80\text{H} \times 1.25 = 100\text{Hrs}$ <p>Capacity too large – use a battery of 130A-H or less.</p> <p>NOTE: A 100AH battery in good condition should charge in approximately 62 hours.</p>
5764 0108

Excessive Battery Drain

Pump may have run for a very long time, discharging the battery. In this case:

- A) If 115VAC power is OFF, the charger shuts down until the power comes back on, but the pump will run as long as the battery charge lasts. You may need to replace the battery afterwards.
- B) If 115VAC power is ON, the charger/controller continues to try to charge the battery at a charging rate of .5 AH until the battery charge is more than 20%, at which point the charger will resume charging at a rate of 2 AH.
- C) If the pump is running and the AC power is on, you may need to stop the pump to allow the battery to charge.

Pre-Qualification Test – 1 and 2

Charger is charging at a very low level to try to bring a dead battery back to life. If the battery is taking too long, try resetting the charger once or twice (push the ‘System Test’ and ‘Silence Alarm’ buttons to reset the charger).

Special Features:

- The charger is equipped with reverse battery, short circuit, and “run-away charge” protection.

BATTERY REQUIREMENTS

▲ WARNING **Hazardous electrical current.** Can cause severe burns and start a fire if the battery terminals are short circuited. Install the battery in the battery case (See Key No. 12, Page 11). To prevent accidental shorting across battery terminals, close and latch the battery case securely. Do not leave the battery uncovered. Do not allow children to play around the battery backup system installation.

Your backup sump pump depends on the battery used with it for power. The better the battery, the better the performance of the pump. We recommend the use of a size 27M Marine Deep Cycle Battery. It will perform as indicated in Table VI, on Page 10, and will stand up well to long periods of little or no use.

This system is designed to work with a deep cycle marine battery, either a flooded lead-acid battery or a sealed maintenance free lead-acid AGM battery. Use of a standard automobile battery with this charger is **not recommended**. An automobile battery may require charging after only 1–2 hours of continuous use, and the repeated charging cycles may cause early plate failure in the battery.

Use only the recommended battery or one of the same type and size so it will fit in the battery box (maximum size 13" long, 7" wide and 10" high [330.2mm x 177.8mm x 254mm] including terminals) and supply enough voltage for full performance.

BATTERY MAINTENANCE

▲ WARNING **Severe burn hazard.** An acid-filled standard lead-acid battery contains sulfuric acid. Avoid contact with skin, eyes or clothing.

NOTICE: To protect the battery case from chipping and gouging, do not let the battery sit on a concrete floor. Install the battery on a shelf or protective pad (plywood, 2x4s, etc.). Always install the battery in a dry location that is protected from flooding.

Follow the battery manufacturer’s recommendations for maintenance and safe use of the battery.

TROUBLESHOOTING

Pump won’t run.

1. Check all the wiring connections.
2. Check for a low or defective battery.
3. Check that the automatic switch is free to move up and down.
4. Press the circuit breaker reset button on the control panel.

Motor hums but pump won’t run:

1. Check for low or defective battery.

Pump runs but pumps very little or no water:

1. Make sure a check valve is installed and functioning between the primary pump discharge and the Battery Backup tee.
2. Check for an obstruction in the discharge pipe.
3. The discharge pipe length and/or height exceeds the capacity of the pump. See Table VI, Page 10, for pump capacity.
4. Check for a low or defective battery.
5. The Positive (+) and negative (–) pump wires are reversed. Disconnect them and reconnect correctly.

Pump cycles too frequently:

The check valve located between the discharge of the primary pump and the Battery Backup tee is not installed or is not working properly. Install the auxiliary check valve (see Pages 4 and 5) or replace the existing check valve as required.

TABLE II – Operating Code Displays (LEDs Lighted Continuously or Flashing)


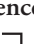
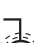







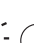







LED Operating Code Display	System Operating Condition
 System Alert  Silenced audible alarm  Pump status  AC power  Charging  Battery status	
	Indicates 115V AC Power is connected
	Indicates Pump is running (continuous LED)
	Indicates Fast flashing LED: Pump has run
	Indicates Audible alarm is switched off
	Indicates Fast flashing LED: Battery pre-qualification test is running
	Indicates Battery is charging normally
	Indicates Continuous LED: battery charge is above 20%, system is maintaining charge
	Indicates Slow flashing LED: battery charge is below 20%
 = LED is ON Continuously  = LED is Flashing (Fast)  = LED is Flashing (Slow)  = LED is OFF	
<p>NOTE: All of the situations listed above indicate normal system operation; no action is required. However, if the BBU pump is running or has run, check the primary pump and actively monitor the charger status for battery life. Always reset the charger after the pump runs. During normal system operation, the 'System Alert' LED does not light up. The "AC Power" LED is lighted as long as the system is plugged in to an operating AC power circuit.</p>	

TABLE III – LED Function Displays (LEDs Lighted Continuously)

Control LED:	Continuous Illumination Indicates Normal Operation:
AC Power	AC power is present.
Pump Status	The float switch has been activated. The LED remains on (flashing) after the pump has stopped. Depress the 'System Test' button to reset it.
Silenced Audible Alarm	Audible Alarm has been silenced. Press and release the 'Silence Alarm' button to reset (activate) the audible alarm and turn OFF the LED.
Charging	Indicates that the battery is charging – see Table II, above.
Battery Status	A. Continuous 'ON' - the battery voltage is above 10.9 Volts DC and capacity is above 20%. B. Slow Beep/Slow LED Flash - the battery's capacity is below 20%, and voltage is between 8.2VDC and 10.9VDC. C. Fast Beep/Fast LED Flash - the battery has been discharged to less than 8.2VDC.
System Alert	Flashing (in unison with the buzzer) indicates that the charger has entered 'Failure Mode'. Press the 'System Test' and 'Silence Alarm' buttons to reset it. NOTE: If the source of the failure is not corrected, the charger will reenter 'Failure Mode'. See Table IV for error code information.

TABLE IV – Error Code Displays (LEDs Flashing)

LED Error Code Display		Error Condition and Corrective Action	
		NOTE: When the 'System Alert' LED is flashing, look for one of the following error conditions.	
Condition	Action	Condition	Action
= Excessive battery drain;	Stop pump, allow battery to charge (AC must be on)	= Battery will not take a charge***;	Replace battery with a new 12V lead-acid battery
= Reversed battery connections;	Connect + to + and - to -.*	= Wrong battery voltage;	Replace battery with a new 12V lead-acid battery
= Failed pre-qualification test – 1**;	Replace battery with a new 12V lead-acid battery	= Failed pre-qualification test – 2**;	Replace battery with a new 12V lead-acid battery
= Charge time monitor – 1;	Check battery for damage to cells; replace battery	= Charge time monitor – 2;	Check battery for damage to cells; replace battery
= Battery Charge is Below 20%;	Pump will shut down, battery is not charging. Replace battery.		
* NOTE: If your AC power is off and the unit is dead (no LEDs lighted, no audible alarm, pump isn't running), check for reversed battery connections to the charger/controller.			
** Charger was charging at a very low level to try to bring a dead battery back to life, but the battery took too long to charge. Try resetting the charger once or twice (push the 'System Test' and 'Silence Alarm' buttons at the same time to reset the charger).			
*** Thermal Runaway condition			

5766 0108

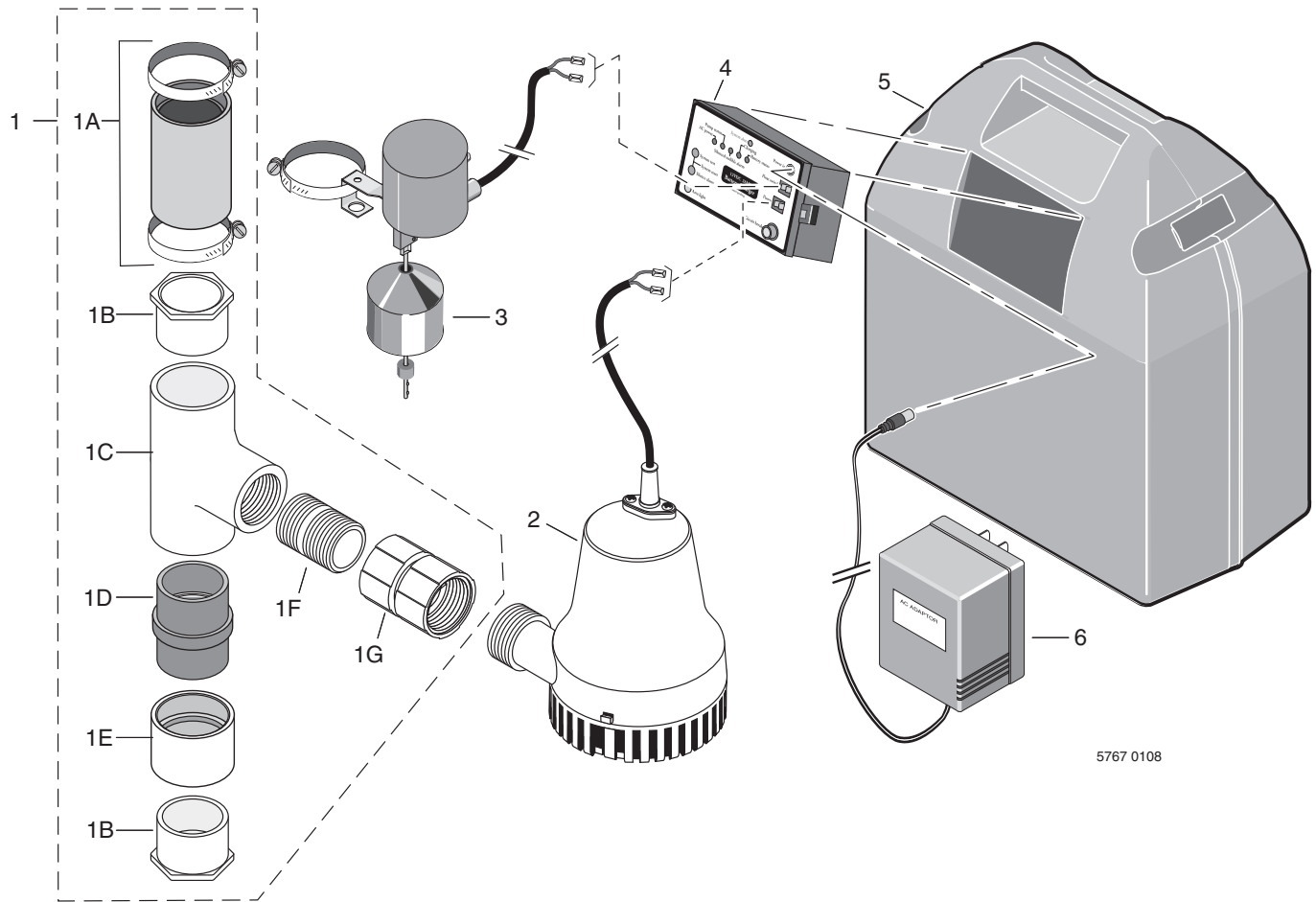
TABLE V – Control Button Functions

Control Button:	Result of Pushing Button:
System Test	Pump starts and all LEDs light up. Will reset the 'Pump Status' LED. When pushed with the 'Silence Alarm' button, the Charger/Controller microprocessor resets and error code resets.
Silence Alarm	Toggle; Prevents the audible alarm sounding. Press and release to reset.
Flood Light	Toggles the flood light on the Charger/Controller on and off.

TABLE VI – Capacity Ratings with a 100 A-H Deep Cycle Marine Battery

	VERTICAL PUMPING DISTANCE - MODEL MBSP-01			
	8 FEET (2.4 M)	10 FEET (3.0 M)	12 FEET (3.7 M)	16 FEET (4.9 M)
Gallons Per Hour	1,440	1,200	840	No Flow at this Height
Aproximate Hrs Available	10	11.5	13	–
Total Gallons Pumped	8,500	7,000	5,000	–

* These flow rates were obtained with a constant 12.7 VDC battery source. The actual GPH will vary due to a reduction in output voltage from the battery as it discharges.



5767 0108

Key No.	Part Description	Part Number
1	Hardware Replacement Kit (Includes Key Nos. 1A through 1G)	PS198-270
1A	Rubber Hose Coupling with Inserts (2) and Clamps (2)	U74-68
1B	1-1/2 x 1-1/4 PVC Slip Reducer Bushing (2)	*
1C	PVC Tee 1-1/2 x 1-1/2 Slip x 1-1/4 FNPT	*
1D	Auxiliary Check Valve	*
1E	1-1/2 x 1-1/2 PVC Slip Coupling	*
1F	PVC Pipe Nipple, 1-1/4 NPT x Close	*
1G	Check Valve Assembly, 1-1/4 FNPT x 1-1/4 FNPT	*
2	DC Backup Pump	**
3	Vertical Float Switch Package	PS198-269REP
4	Charger	PS217-1512
5	Battery Case (Complete)	PS17-1512
6	AC Adaptor	PS17-1530
•	Electrical Replacement Kit (Includes Area Light LED and Battery Leads)	PS1513REP

* Included in Hardware Replacement Kit, Key No. 1.

** If pump fails, replace entire system.

NOTE: Key No. 1G Check Valve Assembly must be correctly installed or warranty is void. If primary sump pump has no check valve installed below the Battery Backup Tee, Key No. 1D Auxiliary Check Valve must be correctly installed or warranty is void.

LIRE ET OBSERVER LES INSTRUCTIONS DE SÉCURITÉ!

⚠ Voici le symbole indiquant qu'il faut être prudent. Lorsque ce symbole apparaît sur la pompe ou dans la présente Notice, chercher une des mises en garde suivantes et rester aux aguets pour éviter des blessures corporelles :

⚠ DANGER avertit d'un danger **qui causera** des blessures corporelles, la mort ou des dommages matériels importants si on l'ignore.

⚠ AVERTISSEMENT avertit d'un danger **qui risque** de causer corporelles, la mort ou des dommages matériels importants si on l'ignore.

⚠ ATTENTION avertit d'un danger qui **causera** ou qui **risquera** de causer des blessures corporelles, la mort ou des dommages matériels importants si on l'ignore.

Le mot **REMARQUE** indique des instructions spéciales et importantes n'ayant aucun rapport avec les dangers.

1. Pour éviter tout risque de blessures corporelles ou de brûlures graves par choc électrique et des dommages matériels importants causés par une inondation, lire attentivement ces consignes de sécurité avant de procéder à l'installation de la pompe.

⚠ AVERTISSEMENT **L'acide des batteries est corrosif. Ne pas en renverser sur la peau, les vêtements ou le chargeur.** Porter des lunettes de sécurité à coques et se protéger la tête lorsqu'on intervient sur une batterie. Ne brancher et ne débrancher les bornes de sortie en courant continu qu'après avoir débranché le chargeur de la prise de courant alternatif. Ne jamais permettre aux bornes du courant continu de se toucher.

⚠ AVERTISSEMENT **Tension dangereuse. Risque de secousses électriques graves, voire mortelles.** Ne pas brancher ni débrancher le chargeur de la batterie si on se tient sur un sol humide ou dans l'eau. S'assurer d'avoir une main libre lorsque l'on branche et débranche le chargeur. Couper le courant alimentant le sous-sol si on doit marcher sur son sol humide.

⚠ ATTENTION **Risque d'inondation. Ne pas laisser la pompe fonctionner à sec,** sinon ses joints seront endommagés, ce qui risque de causer des fuites et des dommages matériels.

2. Pour installer ce système, respecter tous les Codes de la plomberie de la municipalité et du gouvernement fédéral. Il est recommandé d'utiliser un disjoncteur de fuite à la terre pour protéger tous les appareils électriques immergés dans l'eau.
3. N'utiliser ce système qu'en tant que pompe de puisard de secours dans une résidence. Il n'est pas conçu pour être utilisé en tant que pompe de puisard primaire.
4. Ne pas lever la pompe par son cordon électrique.

⚠ AVERTISSEMENT **Risque de secousses électriques.** Ne pas lever la pompe par son cordon électrique. Ne la lever que par le tuyau de refoulement, son anneau de levage ou sa poignée. Lever la pompe par son cordon endommagera le cordon.

5. Ne pomper que de l'eau claire avec cette pompe.
6. La pompe a été lubrifiée en permanence à l'usine. Ne pas la lubrifier!
7. Le chargeur et le coffret de la batterie ne doivent pas reposer sur le sol. Ils doivent être installés dans un endroit sec, frais et bien aéré.
REMARQUE : Si un détecteur de monoxyde de carbone (CO) est utilisé, il doit être installé à au moins 5 mètres (15 pieds) du chargeur de la batterie pour empêcher son déclenchement intempestif. Pour de plus amples renseignements, se reporter aux instructions d'installation de ce détecteur.
8. Pour empêcher tout risque d'incendie ou d'explosion, ne pas approcher d'étincelle ni de flamme nue (veilleuse) de la batterie.
9. La distance verticale maximale de refoulement de cette pompe est de 4,90 mètres (16 pieds).
10. S'assurer que le puisard ne contient pas de débris qui risqueraient d'endommager la pompe et causer une inondation.

RENSEIGNEMENTS GÉNÉRAUX

Le système de puisard de secours à batterie n'est pas prévu pour être utilisé en tant que pompe de puisard primaire. Il est conçu pour être utilisé comme système de secours temporaire pour la pompe primaire d'un puisard en cas de panne de courant ou de tout autre problème pouvant empêcher le fonctionnement normal de la pompe primaire. Ne pas pomper de liquides inflammables ni de produits chimiques avec ce système. Ne pomper que de l'eau claire.

Garder le chargeur de la batterie sec et protégé contre les dommages.

Ce système est prévu pour fonctionner avec une batterie-marine au plomb à décharge poussée ouverte ou sans entretien AGM (à fine feuille de fibre de Boron-Silicate). En cas d'urgence (panne de courant prolongée qui risquerait de décharger complètement la batterie à décharge poussée du système, par exemple), une batterie d'automobile pourra être utilisée temporairement. La batterie d'automobile devra toutefois être remplacée aussitôt que possible par la batterie à décharge poussée du système. L'utilisation, avec ce système, d'une batterie autre qu'une batterie à décharge poussée diminuera considérablement le rendement de ce système. Les batteries d'automobile ne sont pas conçues pour ce type d'utilisation et elles seront rapidement détruites par les cycles répétés de charge et de décharge. **REMARQUE :** Ce système n'est pas conçu pour pomper de l'eau salée ni de la saumure! Cette pratique annulera la garantie.

INSTALLATION ET FONCTIONNEMENT DU SYSTÈME DE SECOURS À BATTERIE

REMARQUE :

- Installer ce système lorsque le fonctionnement de la pompe primaire n'est pas requis. Préparer tout ce dont on aura besoin et lire tous les avertissements et toutes les instructions d'installation avant de commencer.
- Se préparer à récupérer l'eau qui coulera des tuyauteries ou des raccords lorsqu'on démontera ou coupera le tuyau de refoulement. Protéger de l'eau les composants du système, les outils et les fournitures. Sécher toutes les zones de travail mouillées.

OUTILS ET FOURNITURES DE BASE DONT ON AURA BESOIN

Pince à prise multiple ou grande pince
 Ruban à mesurer
 Clé à douille ou tourne-écrou de 5/16 de pouce

Pince coupante de côté
 Scie à métaux (pour couper le tuyau en plastique)
 Pince moyenne
 Crayon
 Ruban pour raccords filetés
 Colle pour plastique (collage par solvant)
 Nettoyant de tuyaux en plastique
 Chiffon
 Batterie-marine à décharge poussée d'une capacité de 100 à 120 ampères/heure (vendue séparément)

Capacité requise des batteries :

Une seule batterie : 120 ampères/heure maximum.
 Deux batteries : 100 ampères/heure par batterie (200 ampères/heure au total)



Risque de blessures et d'inondation.

Ne pas démarrer la pompe tant que tous les raccords n'auront pas été collés et tant que la colle n'aura pas séché. Des raccords mal collés risquent d'exploser et de causer des blessures corporelles et une inondation.

GARANTIE LIMITÉE

F.E. MYERS garantit au consommateur initial (ci-après appelé l'« Acheteur ») que les produits énumérés dans les présentes sont exempts de défaut de matériau et de fabrication pendant la durée de la garantie à compter de la durée des garanties indiquées ci-dessous.

Produits	Durée des garanties
Pompes à éjecteur, petites pompes centrifuges, pompes submersibles et tous les accessoires connexes	<i>Selon le premier terme atteint :</i> 12 mois à compter de la date de la première installation ou 18 mois à compter de la date de fabrication
Réservoirs en fibre de verre	5 ans à compter de la date de la première installation
Réservoirs sous pression en acier	5 ans à compter de la date de la première installation
Produits de puisard/d'égout/d'effluents	12 mois à compter de la date de la première installation ou 18 mois à compter de la date de fabrication

Nos garanties ne s'appliquent pas aux produits ayant fait l'objet de négligence, d'une mauvaise utilisation, d'une mauvaise installation ou d'un manque d'entretien adéquat. Sans aucune limitation des présentes, la garantie des moteurs triphasés submersibles sera nulle et non avenue si ces moteurs sont branchés et fonctionnent sur le courant monophasé par l'intermédiaire d'un déphaseur. Il faut également noter que les moteurs triphasés doivent être protégés par un relais de surcharge tripolaire thermocompensé à déclenchement extrêmement rapide du calibre recommandé, sinon la garantie sera nulle et non avenue.

Le seul recours de l'Acheteur et la seule responsabilité de F.E. MYERS consistent à réparer ou à remplacer (au choix de F.E. MYERS) les produits qui se révéleraient défectueux. L'Acheteur s'engage à payer tous les frais de main-d'œuvre et d'expédition du produit couvert par sa garantie et de s'adresser au concessionnaire-installateur ayant procédé à l'installation dès qu'un problème est découvert pour obtenir un service sous garantie. Aucune demande de service en vertu de sa garantie ne sera acceptée après expiration de la durée de sa garantie. Ces garanties ne sont pas transférables.

F.E. MYERS DÉCLINE TOUTE RESPONSABILITÉ POUR TOUT DOMMAGE INDIRECT OU FORTUIT QUEL QU'IL SOIT.

LES PRÉSENTES GARANTIES SONT EXCLUSIVES ET TIENNENT LIEU DE TOUTE AUTRE GARANTIE FORMELLE ET TACITE, Y COMPRIS, MAIS SANS S'Y LIMITER, TOUTE GARANTIE TACITE DE QUALITÉ MARCHANDE OU DE CONVENANCE DU PRODUIT À UNE FIN PARTICULIÈRE. LA DURÉE DES PRÉSENTES GARANTIES NE DEVRA PAS DÉPASSER LA DURÉE DES GARANTIES FORMELLES STIPULÉES DANS LES PRÉSENTES.

Certains états, territoires et certaines provinces ne permettent pas l'exclusion ou la limitation des dommages indirects ou fortuits, ni les limitations relatives à la durée des garanties tacites. Par conséquent, il se peut que les limitations ou les exclusions stipulées dans les présentes ne s'appliquent pas dans ce cas. Ces garanties accordent des droits juridiques précis, bien que l'on puisse bénéficier d'autres droits, selon la province, le territoire ou l'état dans lequel on réside.

Ces garanties remplacent et annulent toutes les garanties précédemment publiées.

F.E. MYERS

1101 Myers Parkway, Ashland, OH 44805-1989

Tél. : 888-987-8677 • Téléc. : 888-840-7867 • www.femyers.com

INSTRUCTIONS D'INSTALLATION DU SYSTÈME DE SECOURS À BATTERIE

⚠ AVERTISSEMENT **Risque de secousses électriques.** Avec le disjoncteur ou en enlevant le fusible, couper le courant alimentant la pompe avant de procéder à cette installation.

Montage

- Repérer le niveau le plus haut auquel l'eau monte dans le puisard (c'est-à-dire le niveau auquel la pompe existante (primaire) démarre – voir la Figure 1). Avec un crayon ou un marqueur, repérer ce niveau sur le tuyau de refoulement.
- Vider le puisard autant que possible sans faire démarrer la pompe. Pour cela :
 - PRISE MULTIPLE DE L'INTERRUPTEUR À FLOTTEUR :** Débrancher l'ensemble fiche de la pompe et prise de l'interrupteur à flotteur de la prise de courant, puis débrancher la fiche de la pompe de la prise multiple de l'interrupteur à flotteur. Réarmer le disjoncteur ou reposer le fusible, puis rebrancher la pompe directement dans la prise de courant. Elle démarrera. Vider le puisard, puis débrancher la pompe, OU
 - FICHE SIMPLE DE L'INTERRUPTEUR À FLOTTEUR :** Réarmer le disjoncteur ou reposer le fusible, puis à l'aide d'un manche à balai en bois ou d'un morceau de bois non conducteur, lever l'interrupteur à flotteur. La pompe démarrera. Vider le puisard, puis relâcher l'interrupteur.
 - TOUTES LES INSTALLATIONS:** Dès que le puisard est vide, désarmer le disjoncteur ou déposer le fusible pour ne pas subir de secousses électriques pendant qu'on intervient sur l'installation.
- Soutenir le tuyau de refoulement pour qu'il ne tombe pas lorsqu'on le débranchera ou lorsqu'on le coupera.
- Si un raccord en caoutchouc est utilisé sur le tuyau de refoulement, le débrancher. Sinon, couper le tuyau de refoulement vertical à une hauteur pratique, au-dessus du niveau du sol.
- Sortir du puisard la pompe et le morceau de tuyau de refoulement qui y est toujours branché.

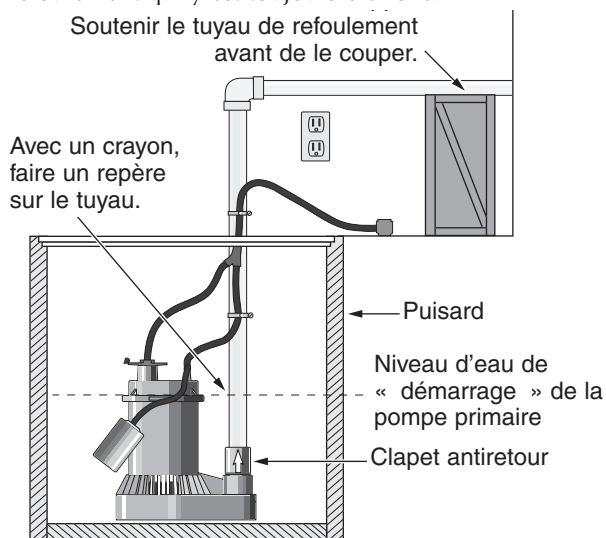


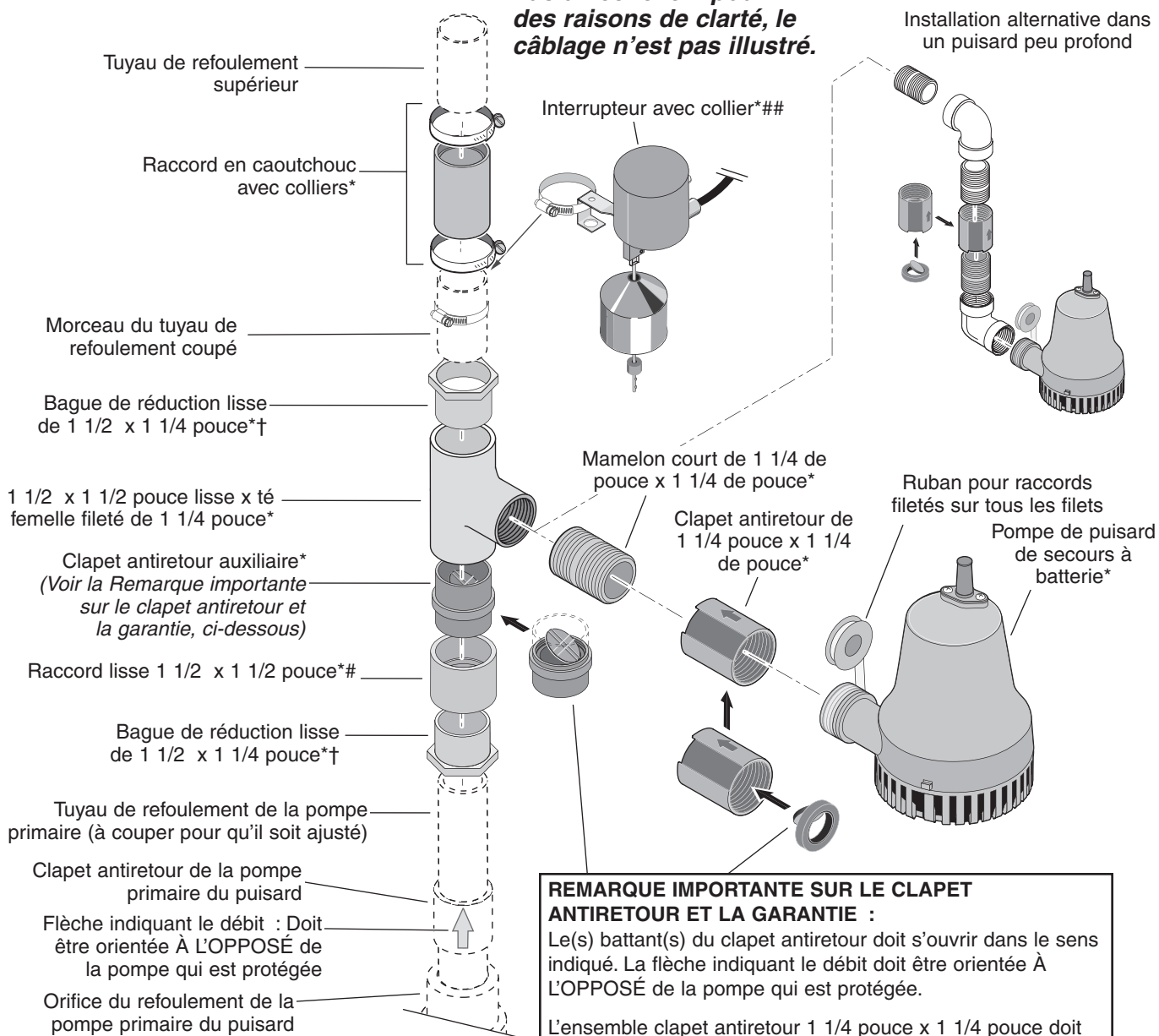
Figure 1 : Repérer le tuyau au niveau d'eau de « démarrage »

Installation

- Étudier la Figure 2 pour les montages suggérés. Le montage « **Facile** » est préférable pour les pompes profondes et les puisards de petit diamètre (13 1/2 pouces et d'une profondeur supérieure à 22 pouces). Le montage « **Alternatif** » est préférable pour les puisards de plus grand diamètre et moins profonds (18 pouces et plus d'une profondeur de 18 à 22 pouces). Pour le montage alternatif, il faudra acheter (2) coudes à 90 ° x 1 1/4 de pouce et (2) mamelons courts de 1 1/4 pouce. Pour tout autre montage, plus de raccords de tuyau seront requis.
- Repérer où le repère du niveau supérieur d'eau a été fait sur le tuyau de refoulement, lors de l'opération 1 sous « Montage ». Couper le tuyau à cet endroit, puis mettre le morceau de tuyau coupé de côté. Il sera utilisé plus tard. Enlever toutes les bavures des extrémités coupées.
- Envelopper les filets de la pompe du système de secours à batterie et le mamelon court de 1 1/4 de pouce de 1 1/2 à 2 tours de ruban pour raccords filetés (voir la figure 2). Ne pas mettre de ruban sur le premier filet. **Enveloppez les filets en tournant le ruban à droite** (↻).
- Ensemble, visser le té, le mamelon court, le clapet antiretour de 1 1/4 x 1 1/4 pouce et la pompe du système de secours à batterie. Pour bien les serrer, immobiliser la pompe et introduire un grand tournevis dans le té, puis serrer l'ensemble avec le tournevis. **NE PAS SERRER EXAGÉRÉMENT!** Lorsque l'ensemble est bien serré, la pompe et le té doivent s'aligner verticalement (pas de travers – voir la figure 2).
- Coller le morceau de tuyau coupé (que l'on a mis de côté lors de l'opération 2) dans la partie supérieure du té. **REMARQUE :** Si le diamètre du tuyau de refoulement est de 1 1/4 pouce, coller une des bagues de réduction fournies avec le système dans le té, puis coller le tuyau dans la bague.
- Examiner la pompe primaire pour déterminer si un clapet antiretour est posé dans ou près du tuyau de refoulement. Sinon, poser le clapet antiretour auxiliaire dans le bras inférieur du té, puis poser le raccord lisse sur le clapet antiretour (voir la figure 2). Dans le cas d'un tuyau de refoulement de 1 1/4 pouce, coller l'autre bague de réduction dans le raccord lisse. **REMARQUE :** Si la pompe primaire est déjà dotée d'un clapet antiretour qui fonctionne, ne pas utiliser le clapet antiretour auxiliaire livré avec le système de secours à batterie. Un seul clapet antiretour est requis entre la pompe primaire et le té (pour que le liquide de l'une ou de l'autre des deux pompes ne retourne dans le puisard). Deux clapets antiretour limiteront beaucoup trop le débit dans le tuyau.
- Ajustement d'essai (**NE PAS COLLER POUR LE MOMENT**) : Remettre la pompe primaire assemblée dans le puisard, puis y ajouter, sans les coller, l'ensemble té, clapet antiretour pompe du système de secours à batterie. Au besoin, inclure également la bague de réduction de 1 1/2 x 1 1/4 pouce et le clapet antiretour auxiliaire (voir la « **REMARQUE** » ci-dessus).
- Mesurer l'ensemble par rapport au tuyau de refoulement supérieur (là où on l'a coupé lors de l'opération 1 sous « Montage »). Sous le point de chevauchement (c'est-à-dire que l'on devra avoir un espace de 1/4 de pouce après que l'on aura coupé le tuyau), faire un repère sur le tuyau de refoulement venant du té de 1 1/4 de pouce. Ne procéder à aucune coupe pour le moment.

Montage « Facile »

Pas à l'échelle : pour des raisons de clarté, le câblage n'est pas illustré.



REMARQUE IMPORTANTE SUR LE CLAPET ANTIRETOUR ET LA GARANTIE :
 Le(s) battant(s) du clapet antiretour doit s'ouvrir dans le sens indiqué. La flèche indiquant le débit doit être orientée À L'OPPOSÉ de la pompe qui est protégée.
 L'ensemble clapet antiretour 1 1/4 pouce x 1 1/4 pouce doit être installé tel qu'illustré, sinon la garantie sera nulle et non avenue. Ne pas utiliser une clé (voir l'étape 4 de l'Installation à la page 14)! S'il n'y a pas de clapet antiretour installé sur la pompe primaire du puisard tel qu'indiqué en dessous du té, le clapet antiretour auxiliaire doit être installé tel qu'illustré, sinon la garantie sera nulle et non avenue.

Remarque :

- * Livrés avec le système de secours à batterie.
- † À utiliser si on doit adapter un tuyau de refoulement de 1 1/4 pouce sur les raccords de 1 1/2 pouce fournis.
- # À utiliser pour poser le clapet antiretour auxiliaire sur le tuyau de refoulement.
- ## Lorsque l'interrupteur s'arrête, le niveau de l'eau doit arriver au-dessus de l'aspiration de la pompe de secours à batterie.

Figure 2 : Montages types d'une installation

9. Étudier l'ensemble dans le puisard, puis l'ajuster de façon que rien ne gêne le fonctionnement de la pompe primaire ni celui de son interrupteur. Repérer les raccordements avec un marqueur permanent de façon à pouvoir réaligner l'ensemble après l'avoir sorti du puisard pour le coller (voir Figure 3).
REMARQUE : Prendre son temps pour procéder à cette opération – elle demande de la prudence, mais elle n'est pas difficile à effectuer. S'assurer de laisser suffisamment de place pour l'interrupteur vertical de la pompe du système de secours à batterie. Repérer tout ce qui risque de bouger!
10. Après avoir tout repéré, sortir l'ensemble du puisard.
11. Couper le tuyau de refoulement vertical au point de coupe repéré lors de l'opération 8. **S'ASSURER DE COUPER SUR LE BON REPÈRE!**
12. Révérifier l'alignement, puis coller tous les raccords sur la pompe primaire.
REMARQUE : Il faudra peut-être soutenir l'ensemble (car il ne restera pas bien en équilibre) de façon à pouvoir conserver l'alignement pendant l'opération de collage. Procéder à cette vérification avant de procéder au collage. L'aide d'une autre personne sera peut-être utile pour cela!
13. Après avoir collé l'ensemble, glisser le raccord en caoutchouc et ses colliers par-dessus le tuyau de refoulement assemblé. Si le diamètre du tuyau est de 1 1/4 de pouce, ne pas oublier d'utiliser les deux bagues de réduction livrées avec le raccord en caoutchouc.
14. Accrocher le collier de l'interrupteur par-dessus le support de l'interrupteur, puis glisser l'ensemble par-dessus le raccord en caoutchouc et le tuyau de refoulement. Serrer le collier du flotteur de façon que le niveau d'eau, lorsque l'interrupteur s'arrêtera, soit plus haut que l'aspiration de la pompe de secours à batterie.
15. Remettre l'ensemble dans le puisard, glisser le raccord en tuyau souple par-dessus l'espace de façon qu'il raccorde les deux tuyaux, puis serrer tout juste assez ses colliers pour qu'ils restent en place.

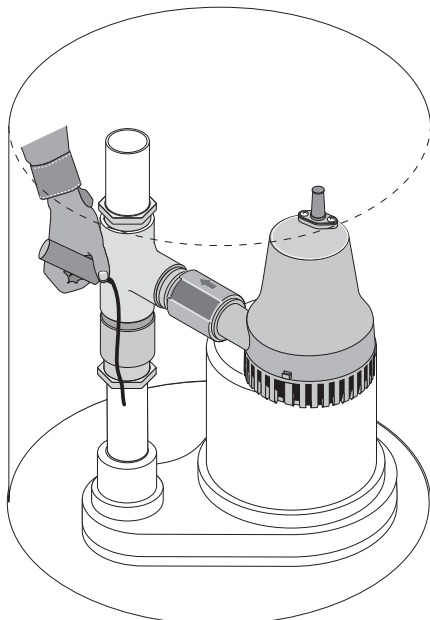
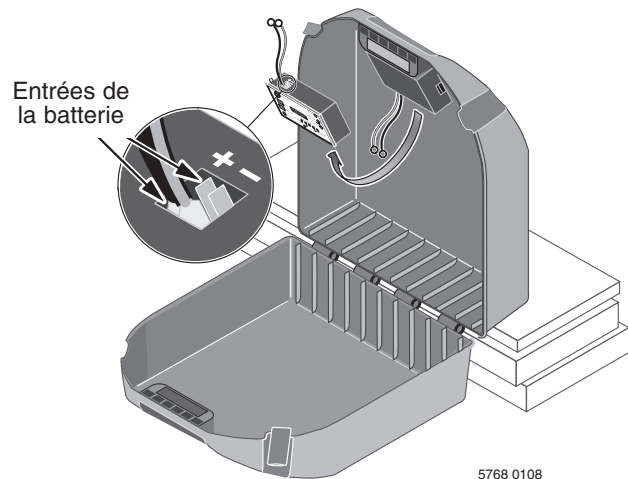


Figure 3 : Repérer les raccords pour les coller

16. Vérifier l'ajustement, l'alignement, etc. Si tout est beau, s'assurer que l'interrupteur vertical du système de secours à batterie est réglé à la bonne hauteur et que rien ne gêne son fonctionnement. Bien serrer ensuite les colliers du tuyau en caoutchouc.
17. Régler la butée de la tige du flotteur du système de secours à batterie de façon que l'interrupteur fonctionne sur la course désirée. Au besoin, pour obtenir suffisamment de dégagement, enlever la partie inférieure de la tige.

CÂBLAGE ET MONTAGE DU SYSTÈME DE SECOURS À BATTERIE

Pour l'installation de la batterie et les informations concernant les branchements, se reporter aux figures 4, 5 et 6.



5768 0108

Figure 4 : Les entrées de la batterie sont à l'intérieur du coffret de la batterie. Soutenir le couvercle du coffret lorsqu'on l'ouvre. Le support doit avoir au moins 4 pouces d'épaisseur.

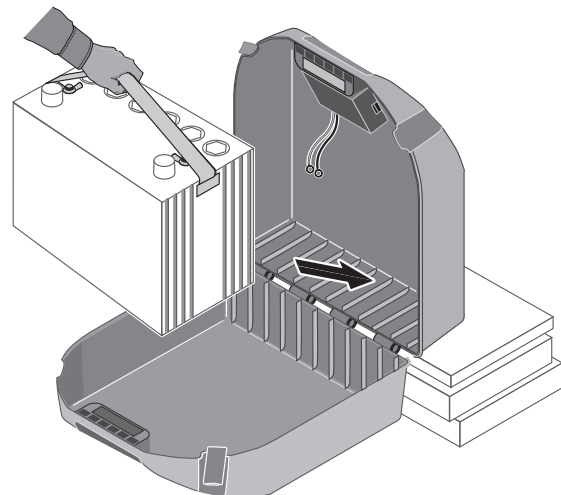


Figure 5 : Mettre la batterie dans son coffret. Demander à une autre personne de tenir le coffret pendant cette opération. Lorsque la batterie sera dans son coffret, brancher les fils du chargeur et du panneau de contrôle : + (Rouge) sur + (Rouge, et - (Noir) sur - (Noir).

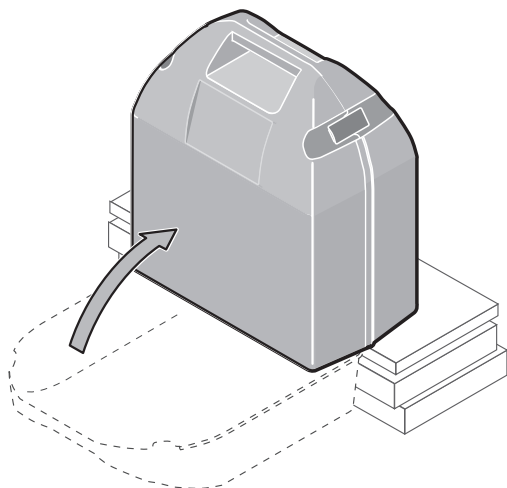


Figure 6 : Fermer le couvercle du coffret et le verrouiller.

1. Les fils de la pompe sont sensibles à la polarité; brancher le fil positif de la pompe sur la borne repérée « Pompe + » et le fil négatif de la pompe sur la borne repérée « Pump - ».

REMARQUE : Si les fils sont inversés, la pompe tournera à l'envers et ne pompera pas d'eau.
2. Les fils de l'interrupteur du flotteur vertical ne sont pas sensibles à la polarité; les brancher sur les pattes repérées « Float Switch » du chargeur et du panneau de contrôle. Si deux batteries sont utilisées, utiliser le deuxième jeu de bornes et brancher la batterie secondaire de la même façon.

Brancher le fil (rouge) *positif* (+) de la batterie sur la borne (rouge) positive du chargeur et du panneau de contrôle. Brancher le fil (noir) *négatif* (-) de la batterie sur la borne (noir) positive du chargeur et du panneau de contrôle.
3. Vérifier le fonctionnement de l'interrupteur à flotteur et de la pompe en levant la tige du flotteur et en la tenant levée. La DEL « Pump Status » (état de la pompe) restera allumée et l'avertisseur retentira. La pompe doit démarrer dans les trois secondes qui suivent. Sinon, vérifier tous les branchements et, au besoin, les refaire.
4. Pendant que la pompe fonctionne, appuyer sur la touche « Silence Alarm » (arrêt de l'alarme); la tenir appuyée pendant une seconde, puis la relâcher. La DEL « Silence Alarm » (arrêt de l'alarme) doit s'allumer et l'avertisseur doit cesser de retentir. Pour réenclencher l'avertisseur (pour qu'il sonne à nouveau) et pour éteindre la DEL « Silence Alarm » (arrêt de l'alarme), appuyer de nouveau pendant une seconde sur la touche « Silence Alarm » (arrêt de l'alarme).
- 5A. Pour arrêter la pompe, abaisser l'interrupteur à flotteur; après trois secondes, la pompe doit s'arrêter, la DEL « Pump Status » (état de la pompe) doit clignoter et l'avertisseur doit retentir.
- 5B. Appuyer sur la touche « System Test » (contrôle du système) et la tenir appuyée pendant une seconde avant de la relâcher. La DEL « Pump Status » (état de la pompe) doit cesser de clignoter.

REMARQUE : En fonctionnement normal, la DEL clignotante « Pump Status » (état de la pompe) indique que la pompe a fonctionné pendant qu'on était absent. Voir le tableau II « Codes de fonctionnement » à la page 19.
6. Appuyer sur la touche « System Test » (contrôle du système) et la tenir appuyée. Toutes les DEL doivent s'allumer, la pompe doit fonctionner et l'avertisseur doit retentir. Relâcher cette touche et les DEL doivent

s'étendre, la pompe doit s'arrêter de fonctionner et l'avertisseur doit cesser de retentir.

7. La DEL « Battery Status » (état de la batterie) indique la capacité de la batterie pendant que le courant alternatif ne l'alimente pas.
 - A. La DEL reste allumée – la tension de la batterie est supérieure à 10,9 volts en courant continu et sa capacité est supérieure à 20 %.
 - B. Avertisseur retentissant/DEL clignotant lentement – la capacité de la batterie se situe entre 0 et 20 %.
 - C. Avertisseur retentissant rapidement/DEL clignotant rapidement – la batterie est complètement déchargée. La batterie continuera d'être chargée (aussi longtemps que le courant alternatif de 115 volts alimentera le chargeur) à une capacité de 0,5 A/h, et ceci jusqu'à ce que la charge de la batterie soit supérieure à 20 %.

Après le premier avertissement (avertisseur retentissant lentement/DEL clignotant lentement), la pompe devrait pouvoir fonctionner pendant encore un maximum approximatif de deux heures. La durée pendant laquelle la pompe fonctionnera dépendra de l'état de la batterie. Il se peut qu'elle ne fonctionne que pendant 15 minutes.
8. Brancher le câble d'alimentation en courant (fourni) dans le connecteur femelle d'arrivée de courant du chargeur et du panneau de contrôle.

DEL affichées et touches de commande (Tableau II, III, IV et V)

REMARQUE : Lorsque l'on branche ce système pour la première fois, ou lorsqu'il est alimenté pour la première fois par la batterie, la DEL d'état de la batterie clignotera pendant trois secondes.

REMARQUE : Pour actionner n'importe quelle touche de contrôle, appuyer dessus et la tenir appuyée pendant une seconde.

Remèdes possibles

1. **La tension de la batterie n'est pas bonne**
Brancher le chargeur sur une batterie de 12 volts.
2. **Branchements de la batterie inversés**
Vérifier tous les branchements. Le fil négatif (noir) de la batterie doit être branché sur le négatif (noir) du chargeur et le positif de la batterie doit être branché sur le positif du chargeur. Les DEL « System Alert » (alerte du système) et « Silenced Audible Alarm » (alarme sonore rendue silencieuse) clignoteront.
3. **Claquage thermique**
« Claquage thermique » est le terme technique qui désigne l'état d'une batterie lorsque certains de ses éléments, voire tous, sont détériorés au point qu'ils ne retiennent plus la charge. Dans ce cas, la batterie doit être remplacée.
4. **Indicateur du temps de charge – 1 et 2**
Il a fallu beaucoup trop de temps pour charger complètement la batterie. Le témoin « Charge Time Monitor » (indicateur du temps de charge) arrêtera le fonctionnement du chargeur après 84 heures de charge continue. Causes possibles :
 - A) La pompe a fonctionné longtemps pendant le processus de charge, ou
 - B) la batterie est trop grosse pour le chargeur (y compris plusieurs batteries branchées en parallèle).

Utiliser la formule indiquée dans le tableau I pour déterminer si la batterie est trop grosse pour le chargeur. Si le temps de charge calculé est supérieur à 84 heures, utiliser une batterie plus petite (ou un groupe de batteries plus petit).

TABLEAU 1 – Calcul de la capacité de la batterie

$\text{Temps de charge} = \frac{\text{Capacité de la batterie en ampères heure (A/h)}}{2 \text{ ampères}} \times 1,25$
<p>Exemple 1 :</p> $\text{Temps de charge} = \frac{130 \text{ ampères heure}}{2 \text{ ampères}} \times 1,25 =$ $\text{Temps de charge} = \frac{130h}{2} \times 1,25 = 65 \text{ h} \times 1,25 = 81,25 \text{ heures}$ <p>Moins de 84 heures pour charger la batterie; on peut l'utiliser.</p>
<p>Exemple 2 :</p> $\text{Temps de charge} = \frac{160 \text{ ampères heure}}{2 \text{ ampères}} \times 1,25 =$ $\text{Temps de charge} = \frac{160h}{2} \times 1,25 = 80 \text{ h} \times 1,25 = 100 \text{ heures}$ <p>La capacité est trop grande – utiliser une batterie de 130 A/h maximum.</p> <p>REMARQUE : Il faut approximativement 62 heures pour charger une batterie de 100 A/h en bon état.</p>

Décharge excessive de la batterie

La pompe a peut-être fonctionné pendant trop longtemps et la batterie s'est déchargée. Dans ce cas :

- Si le courant alternatif de 115 volts est COUPÉ, le chargeur ne fonctionnera pas tant que le courant ne sera pas rétabli. Toutefois, la pompe continuera de fonctionner tant que la batterie sera chargée. Dans ce cas, la batterie devra être remplacée.
- Si le courant alternatif de 115 volts est ÉTABLI, le chargeur et le panneau de contrôle essaient de charger la batterie à une capacité de 0,5 A/h jusqu'à ce que la charge de la batterie soit supérieure à 20 %. À ce point, le chargeur chargera la batterie à une capacité de 2 A/h.
- Si la pompe fonctionne et que le chargeur est alimenté en courant alternatif, il faudra peut-être arrêter la pompe pour permettre que la batterie se charge.

Contrôle de préqualification – 1 et 2

Le chargeur ne charge pas suffisamment une batterie complètement déchargée. S'il faut trop de temps pour charger la batterie, essayer de réenclencher le chargeur (appuyer sur les touches « System Test » [contrôle du système] et « Silence Alarm » [arrêt de l'alarme] pour réenclencher le chargeur).

Caractéristiques spéciales :

- Le chargeur est équipé d'une protection contre une inversion de branchement de la batterie, un court-circuit et une charge « de claquage thermique ».

CRITÈRES DE LA BATTERIE



Courant électrique dangereux pouvant causer de graves blessures et provoquer un incendie si les bornes de la batterie sont court-circuitées. Installer la batterie dans son coffret (Réf. 12, page 21). Pour empêcher tout court-circuit accidentel entre les bornes de la batterie, immobiliser en toute sécurité le couvercle du coffret de la batterie. Ne pas laisser une batterie découverte et ne pas permettre aux enfants de jouer autour de l'installation d'un système de secours à batterie.

La pompe de secours dépend de la batterie pour être alimentée en courant. La qualité de la batterie déter-

minera le rendement de la pompe. Nous recommandons d'utiliser une batterie-marine à décharge poussée du groupe 27M. Son rendement correspondra à ceux indiqués dans le tableau VI à la page 20, et elle durera longtemps, qu'elle soit utilisée au minimum ou pas du tout.

Ce système est prévu pour fonctionner avec une batterie-marine au plomb à décharge poussée ouverte ou sans entretien AGM (à fine feuille de fibre de Boron-Silicate). Il **n'est pas recommandé** d'utiliser une batterie d'automobile standard avec ce chargeur. Une batterie d'automobile devra peut-être être rechargée après seulement une ou deux heures d'utilisation continue et les cycles répétés de charge et de décharge risquent de causer la panne prématurée de ses plaques.

N'utiliser que la batterie recommandée ou une batterie du même type et de la même dimension pour qu'elle rentre dans le coffret de la batterie (dimensions maximales (y compris les bornes) : 320,7 mm x 177,8 mm x 238 mm [12 5/8 x 7 x 9 3/8 pouces]) et dont la tension sera suffisante pour un rendement maximal.

ENTRETIEN DE LA BATTERIE



Risque de brûlures. Une batterie pleine contient de l'acide sulfurique. Éviter tout contact avec la peau, les yeux et les vêtements.

REMARQUE : Pour protéger le coffret de la batterie contre les coups et les entailles, ne pas la laisser reposer sur un sol en béton. Poser la batterie sur une étagère ou un support de protection (contreplaqué, 2x4, etc.). Toujours installer la batterie dans un endroit sec, protégé des inondations. Suivre les recommandations du fabricant de la batterie pour l'entretenir. L'utiliser en toute sécurité.

RECHERCHE DES PANNES

La pompe ne démarre pas :

- Vérifier les branchements des fils.
- S'assurer que la batterie n'est pas défectueuse ou déchargée.
- S'assurer que son interrupteur se déplace librement à la verticale.
- Appuyer sur le bouton de réarmement du disjoncteur du tableau électrique.

Le moteur murmure et la pompe ne fonctionne pas :

- S'assurer que la batterie n'est pas défectueuse ou déchargée.

La pompe fonctionne, mais ne débite pas ou débite très peu :

- S'assurer qu'un clapet antiretour est posé entre le tuyau de refoulement de la pompe primaire et le té de la pompe secondaire et qu'il fonctionne adéquatement.
- S'assurer que le tuyau de refoulement n'est pas obstrué.
- La longueur du tuyau ou la hauteur de refoulement dépasse les capacités de la pompe. Pour connaître les capacités de la pompe, se reporter au tableau VI à la page 20.
- S'assurer que la batterie n'est pas défectueuse ou déchargée.
- Le branchement des fils positif (+) et négatif (-) est inversé. Les débrancher et les brancher correctement.

La pompe fonctionne trop fréquemment :

Il n'y a pas de clapet antiretour posé entre le refoulement de la pompe primaire et le té de la pompe de secours ou bien il ne fonctionne pas adéquatement. Selon le besoin, poser le clapet antiretour auxiliaire (voir pages 14 et 15) ou bien remplacer le clapet antiretour existant défectueux.

TABLEAU II – Codes de fonctionnement (Les DEL restent allumées ou clignotent)

DEL des codes de fonctionnement	État de fonctionnement du système
System Alert (Alerte du système) ○	
Silenced audible alarm (Alarme sonore rendue silencieuse)	
Pump status (État de la pompe) — AC power (Courant alternatif)	Charging (Charge) — Battery status (État de la batterie)
	<i>Indique</i> Le courant alternatif de 115 volts est branché
	<i>Indique</i> La pompe fonctionne (la DEL reste allumée)
	<i>Indique</i> La DEL clignote rapidement : La pompe a fonctionné
	<i>Indique</i> L'alarme sonore est arrêtée
	<i>Indique</i> La DEL clignote rapidement : Le contrôle de préqualification de la batterie fonctionne
	<i>Indique</i> La batterie se charge normalement
	<i>Indique</i> La DEL reste allumée : La charge de la batterie est supérieure à 20 %. Le système maintient la charge
	<i>Indique</i> La DEL clignote lentement : La charge de la batterie est inférieure à 20 %
= La DEL reste ALLUMÉE = La DEL clignote (rapidement) = La DEL clignote (lentement) = La DEL est ÉTEINTE	
<p>REMARQUE : Toutes les situations énumérées ci-dessus indiquent le fonctionnement normal du système. Aucune action n'est requise. Toutefois, si la pompe de secours à batterie fonctionne ou a fonctionné, vérifier la pompe primaire et surveiller attentivement l'état du chargeur pour connaître la durée de la batterie. Toujours réarmer le chargeur après que la pompe a fonctionné. Pendant le fonctionnement normal du système, la DEL « System Alert » (alerte du système) ne s'allume pas. La DEL « AC Power » (courant alternatif) restera allumée tant que le système sera branché sur un circuit alimenté en courant alternatif.</p>	

TABLEAU III – DEL des fonctions (les DEL restent allumées)

DEL de contrôle :	Toujours allumée, elle indique un fonctionnement normal :
Courant alternatif	Le courant alternatif est présent.
État de la pompe	L'interrupteur à flotteur a été actionné. La DEL reste allumée (clignote) après que la pompe s'arrête. Appuyer sur la touche « System Test » (contrôle du système) pour l'éteindre.
Alarme sonore rendue silencieuse	L'alarme sonore a été rendue silencieuse. Appuyer sur la touche « Silence Alarm » (arrêt de l'alarme) puis la relâcher pour réactiver l'alarme sonore et ÉTEINDRE la DEL.
Charge	Indique que le chargeur charge la batterie — voir le tableau II ci-dessus.
État de la batterie	A. Toujours « ALLUMÉE » — la tension de la batterie est supérieure à 10,9 volts en c.c. et sa capacité est supérieure à 20 %. B. L'avertisseur retentit lentement/la DEL clignote lentement — la capacité de la batterie est inférieure à 20 %, sa charge se situe entre 8,2 et 10,9 volts en c.c. C. L'avertisseur retentit rapidement/la DEL clignote rapidement — la charge de la batterie est inférieure à 8,2 volts en c.c.
Alerte du système	Clignotement (en même temps que l'avertisseur sonore retentira) indique que le chargeur est entré dans le « mode panne ». Appuyer sur les touches « System Test » (contrôle du système) et « Silence Alarm » (arrêt de l'alarme) pour réarmer. REMARQUE : Si la source de la panne n'est pas corrigée, le chargeur repassera en « mode panne ». Voir le tableau IV pour tout renseignement concernant les codes d'erreurs.

TABLEAU IV – Codes d’erreurs (Les DEL clignotent)

DEL des codes d’erreurs		État et remèdes	
System Alert (Alerte du système)		REMARQUE : Lorsque la DEL « System Alert » (alerte du système) clignote, rechercher un des états suivants.	
Silenced audible alarm (Alarme sonore rendue silencieuse)			
Pump status (État de la pompe)			
AC power (Courant alternatif)		Charging (Charge)	
		Battery status (État de la batterie)	
		États	Remèdes
		= Décharge excessive de la batterie;	Arrêter la pompe, laisser la batterie se recharger (le courant alternatif doit être établi)
		= La batterie ne garde pas la charge***;	Remplacer la batterie par une batterie neuve de 12 volts
		= Branchements de la batterie inversés;	Brancher le + sur le + et le – sur –*
		= Batterie de mauvaise tension;	Remplacer la batterie par une batterie au plomb neuve de 12 volts
		= Contrôle de préqualification échoué – 1**;	Remplacer la batterie par une batterie au plomb neuve de 12 volts
		= Contrôle de préqualification échoué – 2**;	Remplacer la batterie par une batterie au plomb neuve de 12 volts
		= Contrôleur de la durée de charge – 1;	Vérifier si les éléments de la batterie ne sont pas endommagés; remplacer la batterie
		= Contrôleur de la durée de charge – 2;	Vérifier si les éléments de la batterie ne sont pas endommagés; remplacer la batterie
		= La charge de la batterie est inférieure à 20 %;	La pompe s’arrêtera, la batterie ne se chargera pas. Remplacer la batterie.
<p>* REMARQUE : Si le courant alternatif est coupé et que le système est déchargé (aucune DEL allumée, aucune alarme sonore, la pompe ne fonctionne pas), vérifier si les branchements de la batterie sur le chargeur et le panneau de contrôle ne sont pas inversés.</p> <p>** Le chargeur ne chargeait pas assez la batterie complètement chargée pour la réactiver et il a fallu trop de temps pour la recharger. Essayer de réarmer le chargeur en appuyant en même temps une ou deux fois sur les touches « System Test » (contrôle du système) et « Silence Alarm » (arrêt de l’alarme).</p> <p>*** Claquage thermique</p>			
		= La DEL reste ALLUMÉE	= La DEL clignote (rapidement)
			= La DEL clignote (lentement)
			= La DEL est ÉTEINTE

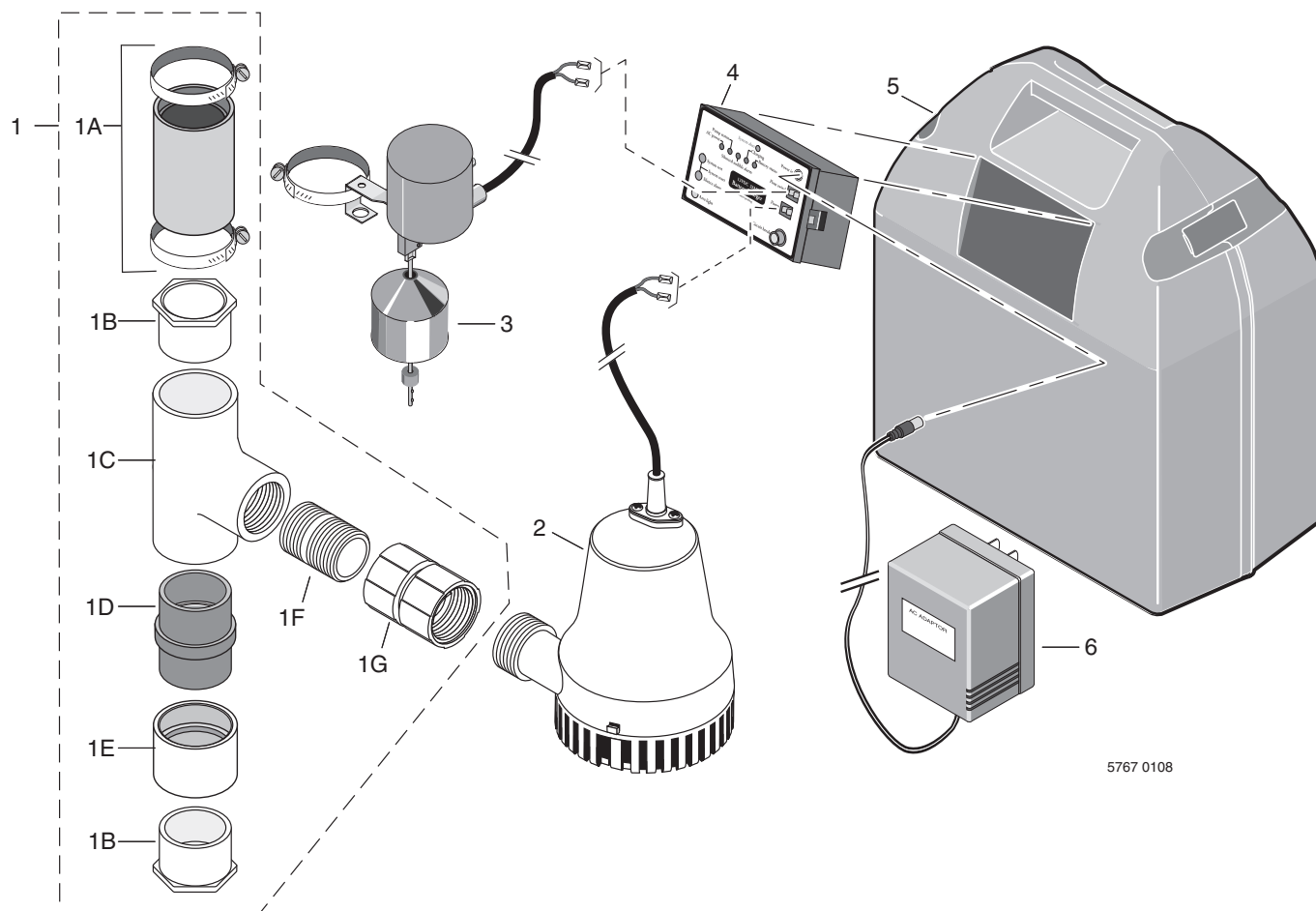
TABLEAU V – Fonctions des touches de contrôle

Touches de contrôle :	Résultat :
Contrôle du système	La pompe démarre et toutes les DEL s’allument. Réactivera la DEL « État de la pompe ». Si on appuie dessus en même temps qu’on appuie sur la touche « Arrêt de l’alarme », le microprocesseur du chargeur et du panneau de contrôle sera réinitialisé et les codes d’erreur seront effacés.
Arrêt de l’alarme	Appuyer dessus et l’alarme sonore ne retentira pas. Appuyer de nouveau dessus et la relâcher pour la réactiver.
Éclairage d’ambiance	Appuyer dessus pour l’allumer ou l’éteindre.

TABLEAU VI — Capacité d’une batterie-marine à décharge poussée de 100 A/h

	DISTANCES VERTICALES DE POMPAGE – MODÈLE MBSP-01			
	8 PIEDS (2,40 m)	10 PIEDS (3 m)	12 PIEDS (3,70 m)	12 PIEDS (4,90 m)
Gallons (litres) par heure	1 440 (5 450,4)	1 200 (4 542)	840 (3 179)	Aucun débit à cette hauteur
Heures de fonctionnement approximatives	10	11.5	13	–
Total des gallons (litres) pompés	8 500 (32 172,5)	7 000 (26 495)	5 000 (18 925)	–

*Ces débits ont été obtenus au moyen d’une batterie fournissant un courant continu constant de 12,7 volts. Le débit réel variera en fonction de la chute de tension de la batterie au fur et à mesure qu’elle se déchargera.



5767 0108

Réf.	Désignation des pièces	Numéro des pièces
1	Trousse de pièces de rechange (comprend les réf. 1A jusqu'à 1G)	PS198-270
1A	Raccord en caoutchouc, y compris (2) garnitures et (2) colliers	U74-68
1B	Bague de réduction lisse en plastique de 1 1/2 x 1 1/4 (2)	*
1C	Té en plastique de 1 1/2 x 1 1/2 lisse x 1 1/4 fileté femelle	*
1D	Clapet antiretour auxiliaire	*
1E	Raccord lisse en plastique de 1 1/2 x 1 1/2	*
1F	Mamelon en plastique court, 1 1/4 fileté	*
1G	Ensemble clapet antiretour, 1 1/4 fileté femelle x 1 1/4 fileté femelle	*
2	Pompe de secours, courant continu	**
3	Interrupteur à flotteur vertical complet	PS198-269REP
4	Chargeur	PS217-1512
5	Coffret de batterie (complet)	PS17-1512
6	Adaptateur c.a.	PS17-1530
•	Trousse de pièces électriques de rechange (comprend la DEL de l'éclairage d'ambiance et les câbles de la batterie)	PS1513REP

* Inclus avec la trousse de pièces de rechange, réf. 1.

** Si la pompe tombe en panne, remplacer tout le système.

REMARQUE : L'ensemble clapet antiretour (réf. 1G) doit être installé correctement, sinon la garantie sera nulle et non avenue. S'il n'y a pas de clapet antiretour installé sur la pompe primaire du puisard en dessous du té de la pompe secondaire, le clapet antiretour auxiliaire (réf. 1D) doit être installé correctement, sinon la garantie sera nulle et non avenue.

¡LEA Y SIGA LAS INSTRUCCIONES DE SEGURIDAD!

⚠ Este es el símbolo de alerta de seguridad. Cuando vea este símbolo en su bomba o en este manual, busque alguna de las siguientes palabras de advertencia y esté alerta a la posibilidad de lesiones personales:

⚠ PELIGRO advierte acerca de los peligros que **provocarán** lesiones personales graves, muerte o daños materiales considerables si se ignoran.

⚠ ADVERTENCIA advierte acerca de los peligros que **pueden provocar** lesiones personales graves, muerte o daños materiales considerables si se ignoran.

⚠ PRECAUCIÓN advierte acerca de los peligros que **provocarán o podrán provocar** lesiones personales o daños materiales menores si se ignoran.

La palabra **AVISO** indica instrucciones especiales que son importantes pero que no están relacionadas con los peligros.

1. Para evitar lesiones personales graves debido a choques eléctricos o quemaduras y daños materiales debido a inundaciones, es importante leer las instrucciones de seguridad con atención antes de instalar la bomba.

⚠ ADVERTENCIA El ácido de la batería es corrosivo. **No lo derrame en la piel, la ropa ni en el cargador de la batería.** Use protección para los ojos y la cabeza cuando trabaje con una batería. Conecte y desconecte los bornes de salida de CC sólo después de haber retirado el cargador del tomacorriente de CA. Nunca permita que los bornes de CC se toquen entre sí.

⚠ ADVERTENCIA Tensión peligrosa. **Puede provocar choque eléctrico grave o fatal.** No enchufe ni desenchufe el cargador de la batería si está parado sobre un piso húmedo o en el agua. Asegúrese de que tener una mano libre cuando enchufe o desenchufe el cargador. Si el piso del sótano está húmedo, desconecte el suministro de corriente al sótano antes de caminar por el piso.

⚠ PRECAUCIÓN Peligro de inundación. **No permita que la bomba marche en seco.** De lo contrario, puede dañar las juntas y puede provocar fugas y daños materiales.

2. Cumpla con las normas de plomería y eléctricas locales y/o domésticas cuando instale el sistema. Se recomienda usar un disyuntor a tierra (GFCI) con cualquier aparato eléctrico sumergido en agua.
3. Use este sistema sólo como bomba de respaldo para el sumidero en usos residenciales. No está diseñada para usar como bomba de sumidero primaria.
4. No levante la bomba por el cordón eléctrico.

⚠ ADVERTENCIA Peligro de choque eléctrico. No levante la bomba por el cordón eléctrico; levante la bomba sólo por medio de la tubería de descarga, el aro o el mango de elevación en la bomba. Se dañará el cordón si se usa para levantar la bomba.

5. Sólo bombee agua limpia con esta bomba.
6. La bomba viene con lubricación permanente de fábrica. ¡No trate de lubricarla!
7. Mantenga el cargador de la batería y la caja de la batería fuera del piso y en un lugar seco, fresco y bien ventilado.

AVISO: Si se instala un detector de Monóxido de Carbono (CO), debe colocarse al menos a 15 pies de distancia del cargador de la batería para evitar alarmas falsas de CO. Consulte las instrucciones de instalación de su detector de CO para mayor información.

8. Para evitar el peligro de incendios o explosiones, mantenga las chispas y las llamas (luz piloto) alejadas de la batería.
9. La máxima distancia vertical de bombeo es de 16 pies (4.9 m) para el Modelo MBSP-01.
10. Asegúrese de que el sumidero no tenga escombros. Los escombros pueden dañar la bomba, lo cual puede resultar en inundaciones.

INFORMACIÓN GENERAL

El sistema de batería de respaldo para el sumidero no es un sustituto de su bomba de sumidero primaria. Ha sido diseñado para proporcionarle un respaldo a la bomba de sumidero principal durante un corte de energía u otros problemas que impidan la operación normal de la bomba primaria. No use este sistema para bombear líquidos o sustancias químicas inflamables. Sólo bombee agua limpia con esta bomba.

Mantenga el cargador de la batería seco y protegido contra daños.

Este sistema está diseñado para funcionar con una batería marina a descarga de empuje, ya sea un acumulador ácido de plomo inundado o un acumulador ácido de plomo AGM sellado que no requiere mantenimiento. En caso de emergencia (como en el caso de un corte de energía prolongado) que agote la batería a descarga de empuje del sistema, se puede sustituir la batería del automóvil provisoriamente. Asegúrese de reemplazar la batería a descarga de empuje del sistema lo más pronto posible. El uso de una batería de automóvil en lugar de una batería a descarga de empuje reducirá considerablemente el rendimiento total del sistema. Las baterías de automóvil no están diseñadas para este tipo de usos y se arruinarán rápidamente con los ciclos repetidos de carga y descarga. **AVISO:** ¡Este sistema no ha sido diseñado para usos con agua salada o salmuera! El uso con agua salada o salmuera invalidará la garantía.

SISTEMA DE BATERÍA DE RESPALDO ("BBU" SEGÚN SUS SIGLAS EN INGLÉS) INSTALACIÓN Y OPERACIÓN

AVISO:

- Instale este sistema en una época en que no se necesita la bomba primaria. Reúna todos los materiales antes de comenzar. Lea todas las advertencias y los pasos de la instalación antes de comenzar.
- Esté preparado a que escape agua desde el empalme o desde la tubería cuando desarme o corte la tubería de descarga. Proteja los componentes del sistema, las herramientas y los materiales para que no se mojen. Seque todas las áreas de trabajo que se hayan mojado.

HERRAMIENTAS Y MATERIALES BÁSICOS REQUERIDOS

Pinzas acanaladas o tenazas grandes
Cinta métrica
Llave de cubo o sacatuercas de 5/16"
Cortadores laterales

Sierra para metales (para cortar el tubo de PVC)
Tenazas de tamaño mediano
Lápiz
Cinta de teflón
Pegamento para PVC (soldadura por solvente)
Limpiador para tubos de PVC
Toalla de paño
Batería marina a descarga de empuje de 100-120 amperios-hora (vendida por separado)

Capacidad requerida de la batería:

Batería singular: máximo de 120 amperios-hora.
Baterías dobles: 100 amperios-hora por batería (200 amperios-hora en total)

⚠ ADVERTENCIA Peligro de lesiones personales y de inundación. No encienda la bomba hasta que se hayan pegado todos los accesorios y el pegamento esté seco. Accesorios sueltos o flojos pueden explotar y saltar de las tuberías, provocando lesiones personales e inundaciones

GARANTÍA LIMITADA

F.E. MYERS le garantiza al comprador/consumidor original ("Comprador" o "Usted") de los productos enumerados abajo, que estos estarán libres de defectos en material y mano de obra durante el Período de Garantía indicado a continuación.

Producto	Período de Garantía
Bombas de chorro, pequeñas bombas centrífugas, bombas sumergibles y accesorios asociados	<i>lo que ocurra primero:</i> 12 meses desde la fecha de la instalación inicial, o 18 meses desde la fecha de fabricación
Tanques de devanado de fibra de vidrio	5 años desde la fecha de la instalación inicial
Tanques a presión de acero	5 años desde la fecha de la instalación inicial
Productos para sumideros/aguas residuales/efluente	12 meses desde la fecha de la instalación inicial, o 18 meses desde la fecha de fabricación

Nuestra garantía no se aplicará a ningún producto que, a nuestro sólo juicio, haya sido sometido a negligencia, mal uso, instalación inadecuada o mal mantenimiento. Sin perjuicio a lo que antecede, la garantía quedará anulada en el caso en que un motor trifásico se haya usado con una fuente de alimentación monofásica, a través de un convertidor de fase. Es importante indicar que los motores trifásicos deben estar protegidos por relés de sobrecarga de disparo extra-rápido, con compensación ambiental de tres etapas, del tamaño recomendado, de lo contrario, la garantía quedará anulada.

Su único recurso, y la única obligación de F.E. MYERS es que F.E. MYERS repare o reemplace los productos defectuosos (a juicio de F.E. MYERS). Usted deberá pagar todos los cargos de mano de obra y de envío asociados con esta garantía y deberá solicitar el servicio bajo garantía a través del concesionario instalador tan pronto como se descubra un problema. No se aceptará ninguna solicitud de servicio bajo garantía que se reciba después del vencimiento del Período de Garantía. Esta garantía no se puede transferir.

F.E. MYERS NO SE HARÁ RESPONSABLE DE NINGÚN DAÑO CONSECUENTE, INCIDENTAL O CONTINGENTE.

LAS GARANTÍAS QUE ANTECEDEN SON EXCLUSIVAS Y EN LUGAR DE TODA OTRA GARANTÍA EXPLÍCITA O IMPLÍCITA, INCLUYENDO PERO SIN LIMITARSE A LAS GARANTÍAS IMPLÍCITAS DE COMERCIABILIDAD E IDONEIDAD PARA UN FIN ESPECÍFICO. LAS GARANTÍAS QUE ANTECEDEN NO SE EXTENDERÁN MÁS ALLÁ DE LA DURACIÓN EXPRESAMENTE SUMINISTRADA EN LA PRESENTE.

Algunos estados no permiten la exclusión o limitación de daños incidentales o consecuentes o de limitaciones de tiempo sobre garantías implícitas, de modo que es posible que las limitaciones o exclusiones que preceden no correspondan en su caso. Esta garantía le otorga derechos legales específicos y es posible que usted también tenga otros derechos que pueden variar de un estado al otro.

Esta garantía reemplaza toda garantía publicada anteriormente.

F.E. MYERS
1101 Myers Parkway, Ashland, OH 44805-1989
Teléfono: 888-987-8677 • Fax: 888-840-7867 • www.femyers.com

INSTRUCCIONES DE INSTALACIÓN DE LA BBU

⚠ ADVERTENCIA Peligro de choque eléctrico. En el disyuntor o en la caja de fusibles, desconecte la corriente eléctrica a la bomba de sumidero antes de comenzar esta instalación.

Configuración

- Ubique el nivel de agua alto en su foso de recogida (es decir el nivel del agua en la cual se enciende la bomba de sumidero presente (primaria) - consulte la Figura 1). Marque este punto en la tubería de descarga con un lápiz o un marcador.
- Drene el foso de recogida lo más posible sin permitir que la bomba marche en seco. Haga eso de la siguiente manera:
 - INTERRUPTOR SUPERPUESTO:** Desenchufe la bomba y el interruptor de la toma de corriente y luego desenchufe la bomba del interruptor superpuesto. Reposicione el disyuntor o vuelva a instalar el fusible y enchufe la bomba directamente en la toma de corriente. La bomba se encenderá. Drene el foso y desenchufe la bomba. O
 - SIN INTERRUPTOR SUPERPUESTO:** Reposicione el disyuntor o vuelva a instalar el fusible y use un mango de escoba o un palo que no conduzca electricidad para levantar el interruptor de flotador; la bomba se deberá encender. Drene el foso y luego suelte el interruptor.
 - TODAS LAS INSTALACIONES:** Cuando se haya drenado el foso, apague (abra) el disyuntor o saque el fusible nuevamente para evitar un choque eléctrico mientras trabaja en la instalación.
- Sostenga la tubería de descarga para que no se pueda desplomar cuando la desarme o la corte.
- Si su tubería de descarga tiene un empalme de manguera, desconecte el empalme. De lo contrario, corte la tubería de descarga vertical en cualquier punto conveniente sobre el nivel del suelo.
- Levante la bomba y la tubería conectada y sáquelas del foso de recogida.

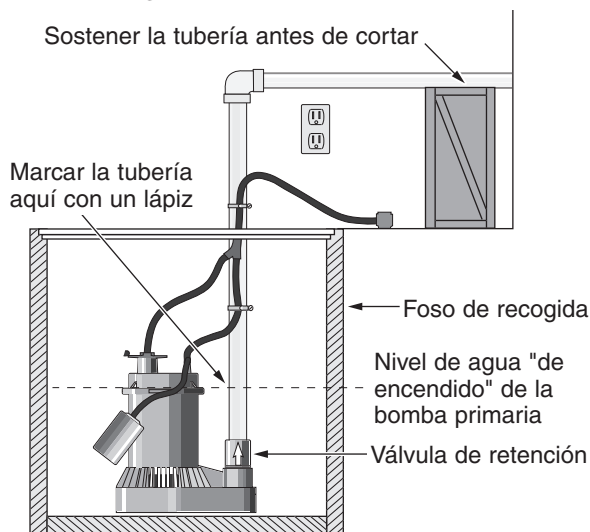
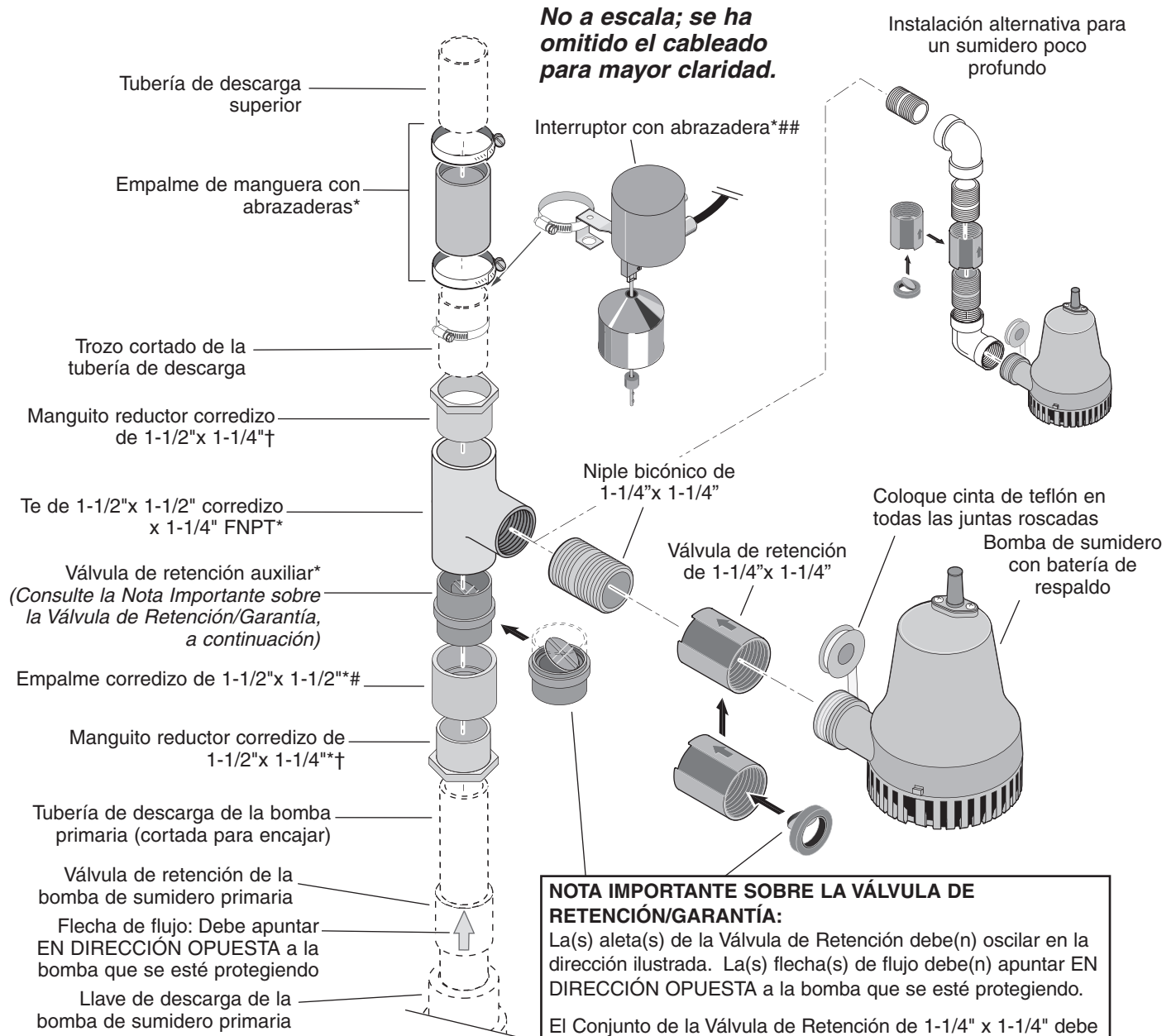


Figura 1: Marcar la tubería a la altura del nivel del agua "de encendido"

Instalación

- Estudie la Figura 2 con las configuraciones sugeridas. La configuración de **Fácil Instalación** funciona mejor para sumideros profundos y permite un diámetro menor de sumidero (diámetro de 13-1/2" o mayor, profundidad mayor de 22"). La configuración **Alternativa** funciona mejor para fosos de recogida más anchos y menos profundos (diámetro de 18" o mayor, profundidad de 18-22"). La configuración Alternativa necesitará que usted adquiera 2 codos de 1-1/4" x 90° y 2 niples bicónicos para tubería de 1-1/4" x. Otras configuraciones pueden necesitar más accesorios de tubería.
- Encuentre la marca de nivel de agua alto que hizo en la tubería de descarga durante el "Paso 1 de la Configuración". Corte la tubería en este punto y coloque el trozo cortado a un lado para usarlo más adelante. Limpie y quite las rebabas de los extremos cortados.
- Envuelva las roscas de la bomba de la Batería de Respaldo (bomba BBU) y el niple bicónico de 1-1/4" x con 1-1/2 – 2 vueltas de cinta de teflón (Consulte la Figura 2). Deje la primera rosca sin cinta y envuelva **en la dirección de las agujas del reloj** (↻).
- Enrosque el Te, el niple bicónico, la válvula de retención de 1-1/4" x 1-1/4", y la bomba BBU juntos. Para que queden apretados, sostenga la bomba e introduzca un destornillador grande por el Te y apriete todo el conjunto con el destornillador. ¡NO APRIETE DEMASIADO! Cuando el conjunto esté apretado, la bomba y el Te deberán quedar alineados verticalmente (sin giro – Consulte la Figura 2).
- Encole el trozo cortado de tubería (que usted puso a un lado en el Paso 2) en la parte superior del Te. **NOTA:** Si su tubería de descarga es de 1-1/4" de pulgada, encole uno de los manguitos reductores suministrados con el sistema en el Te, y luego encole la tubería en el manguito.
- Observe su bomba primaria para determinar si tiene una válvula de retención en la descarga de la bomba o cerca de la misma. De lo contrario, instale una válvula de retención auxiliar en el brazo inferior del Te, e instale el empalme corredizo en la válvula de retención (Consulte la Figura 2). Para una tubería de descarga de 1-1/4", encole el manguito reductor restante en el empalme corredizo. **NOTA:** Si el conjunto de la bomba primaria ya incluye una válvula de retención que funciona, no use la válvula de retención auxiliar incluida en el sistema BBU. Usted necesitará una válvula de retención entre la bomba primaria y el Te (para impedir el retroflujo de cualquiera de las bombas en el foso de recogida), pero dos válvulas de retención, restringirán la tubería demasiado.
- Prueba de adaptación (NO ENCOLE TODAVÍA): Coloque el conjunto de la bomba primaria nuevamente en el foso de recogida y agregue (en seco) el conjunto del Te/válvula de retención/bomba BBU al mismo. De ser necesario, también incluye el manguito reductor de 1-1/2 x 1-1/4 y el empalme corredizo y la válvula de retención auxiliar (consulte la "NOTA", arriba).
- Mida el conjunto contra la tubería superior colgante de descarga (en donde la cortó en el Paso 1 de la sección de "Configuración"). Marque la tubería de descarga que viene del Te 1/4" por debajo del punto de superposición (es decir, usted tendrá una brecha de aire de 1/4" después de haber cortado la tubería). Aún no corte nada.

Configuración de “Fácil instalación”



Notas:

- * Suministrado con el Sistema de Batería de Respaldo.
- † Usar si fuese necesario para adaptar una tubería de descarga de 1-1/4" a los accesorios de 1-1/2" suministrados.
- # Usar para adaptar la válvula de retención auxiliar a la tubería de descarga.
- ## El nivel del agua cuando el interruptor se apaga debe estar por encima de la admisión de la bomba BBU.

Figura 2: Configuraciones típicas de la instalación

9. Estudie el conjunto en el foso por un momento y luego ajústelo para que nada interfiera con la bomba primaria o con su interruptor. Marque las juntas con un marcador permanente de manera que pueda volver a alinear todo después de que la haya sacado del foso para encolar (Consulte la Figura 3).
NOTA: Tómese su tiempo con esto - hay que tener cuidado pero no es muy difícil. Verifique que haya dejado suficiente espacio para el interruptor vertical de la bomba BBU. ¡Marque todo lo que se pueda mover!
10. Después de haber marcado todo, saque el conjunto del foso.
11. Corte la tubería de descarga vertical en el punto de corte que marcó en el Paso 8. ¡ASEGÚRESE DE QUE ESTÉ CORTANDO EN LA MARCA CORRECTA!
12. Vuelva a chequear la alineación y encole todas las juntas en el conjunto de la bomba primaria.
NOTA: Puede ser que deba sostener el conjunto, que no estará muy equilibrado, para poder conservar la alineación mientras lo esté encolando. Verifique eso antes de comenzar a encolar. ¡Otro par de manos puede ser útil en esta ocasión!
13. Después de que el pegamento se haya asentado, deslice el empalme de manguera y sus abrazaderas hacia abajo por la tubería de descarga armada. Si la tubería es de 1-1/4", asegúrese de usar las dos inserciones reductoras que viene incluidas con el empalme.
14. Enganche la abrazadera del interruptor sobre el soporte del interruptor y deslice el conjunto hacia abajo por el empalme de la manguera y la tubería de descarga. Sujete el interruptor con la abrazadera de manera que el nivel del agua cuando el interruptor se apague esté por encima de la admisión de la bomba BBU.
15. Vuelva a colocar el conjunto en el foso, deslice el empalme de manguera por la brecha de aire para que una las tuberías, y apriete las abrazaderas lo suficiente como para mantenerlo en esa posición.

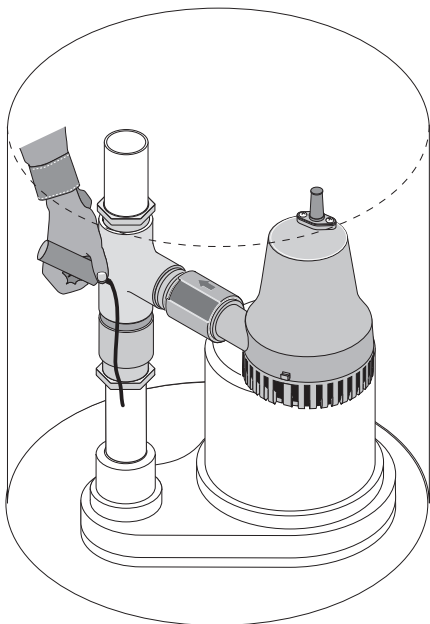


Figura 3: Marcar las uniones para encolar

16. Inspeccione el ajuste, la alineación, etc. Si todo parece estar correcto, verifique que el interruptor vertical de la BBU esté a la altura correcta y sin obstrucciones, luego apriete las abrazaderas de manguera en el empalme.
17. Ajuste la ubicación del tope de la barra en la barra de flotador de la BBU para dar el desplazamiento deseado al interruptor. De ser necesario, corte la parte inferior de la barra de flotador para proporcionar un espacio libre.

CABLEADO Y CONFIGURACIÓN DE LA BBU

Consulte la Figuras 4, 5, y 6 para la información sobre la instalación y la conexión de la batería.

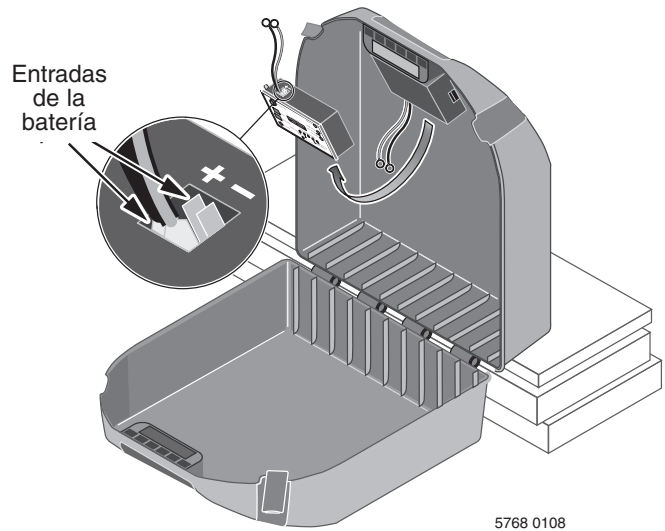


Figura 4: La entrada de la batería está dentro de la caja de la batería. Sostenga la caja cuando la abra. El sostén debe ser de un espesor mínimo de 4".

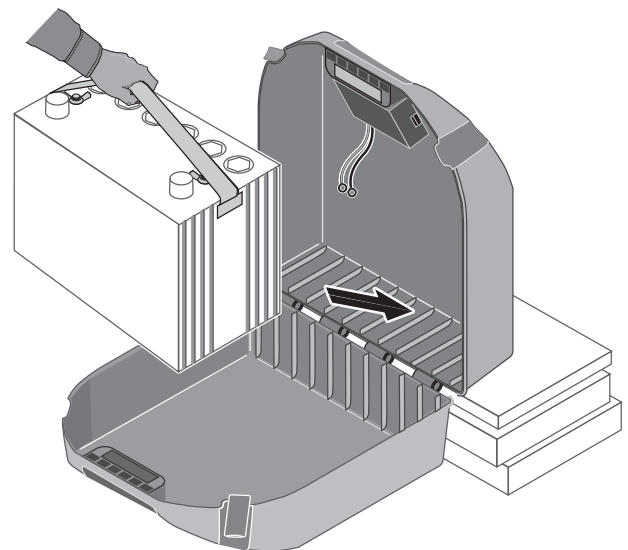


Figura 5: Instale la batería en la caja. Haga que alguien sostenga la caja mientras usted lo hace. Cuando la batería esté en la caja, conecte los conductores del cargador/control: +(Rojo) a +(Rojo), y -(Negro) a -(Negro).

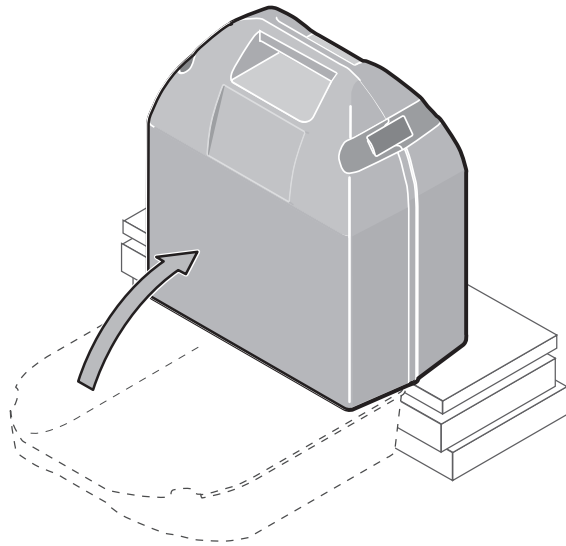


Figura 6: Cierre y trabe la caja mientras la sostiene en posición.

1. Los conductores de la bomba son sensibles a la polaridad; conecte el conductor positivo de la bomba al borne rotulado 'Bomba +' y el conductor negativo de la bomba al borne rotulado 'Bomba -'.
NOTA: Si se invierten los conductores, la bomba marchará en reversa y no bombeará agua.
2. Los conductores del interruptor de flotador vertical no son sensibles a la polaridad; conecte los conductores del interruptor de flotador a las lengüetas "Interruptor de Flotador" en el Cargador / Control. Si está usando dos baterías, use el segundo juego de bornes y conecte la segunda batería de la misma manera. Conecte el conductor positivo (+) de la batería (rojo) al borne positivo del Cargador / Control (rojo). Conecte el conductor negativo (-) de la batería (negro) al borne negativo (negro) en el Cargador / Control.
3. Haga una prueba del interruptor de flotador y de la bomba, levantando y sosteniendo la barra de flotador. El diodo emisor de luz de "Estado de la Bomba" se iluminará continuamente y el timbre sonará ininterrumpidamente. La bomba deberá encenderse después de 3 segundos. Si la bomba no marcha, inspeccione todas las conexiones y vuelva a hacerlas si fuese necesario.
4. Con la bomba funcionando, oprima el botón de 'Silenciar alarma'; sosténgalo por un segundo y suéltelo. El diodo emisor de luz de 'Alarma silenciada' se iluminará y el timbre dejará de sonar. Para reposicionar el timbre (hacer que suene) y apagar el diodo emisor de luz de 'Alarma silenciada', oprima el botón de 'Silenciar alarma' nuevamente por un segundo.
- 5A. Para detener la bomba, baje el interruptor de flotador; después de 3 segundos, la bomba se deberá apagar, el diodo emisor de luz de 'Estado de la bomba' centelleará y el timbre deberá sonar.
- 5B. Oprima el botón de 'Prueba del sistema'; sosténgalo por un segundo y suéltelo. El diodo emisor de luz de 'Estado de la bomba' dejará de centellear.
NOTA: Durante el funcionamiento normal, el diodo emisor de luz de 'Estado de la bomba' centelleando indica que la bomba ha marchado en su ausencia. Consulte el Cuadro II, "Visualizaciones de los codos de operación", en la página 29.

6. Oprima y sostenga el botón de 'Prueba del sistema'. Se iluminarán todos los diodos emisores de luz, la bomba marchará y el timbre sonará. Suelte el botón y los diodos emisores de luz se apagarán, la bomba se detendrá y el timbre dejará de sonar.
7. El diodo emisor de luz de 'Estado de la batería' indica la capacidad de la batería cuando la corriente alterna (CA) está desactivada.
 - A. Encendido "ON" continuo - la tensión de la batería es superior a los 10.9 voltios de corriente continua (10.9 VCC) y la capacidad es superior al 20%.
 - B. Timbre lento/ Centelleo lento del diodo emisor de luz - la capacidad de la batería está entre 0 y 20%.
 - C. Timbre rápido / Centelleo rápido del diodo emisor de luz - la batería es muy descargada. La batería continuará cargándose (siempre que la corriente alterna de 115 V al cargador esté activada) a una velocidad de 0.5 AH hasta que la carga de la batería sea superior al 20%.

Cuando ocurra la primera advertencia (timbre lento / centelleo lento), usted tendrá aproximadamente 2 horas (o menos) de funcionamiento de la bomba restantes. El tiempo real de funcionamiento dependerá del estado de la batería y puede ser tan corto como 15 minutos.
8. Conecte el cable de Suministro de Corriente (suministrado) a la ficha de entrada de corriente del Cargador / Control.

Visualización de los diodos emisores de luz y botones de control (Cuadros II, III, IV, y V)

NOTA: Cuando se enchufe la unidad por primera vez, o cuando reciba energía de la batería por primera vez, el diodo emisor de luz de Estado de la Batería centelleará por 3 segundos.

NOTA: Para activar cualquier Botón de Control, oprima y sosténgalo por 1 segundo.

Posibles recursos

1. **Tensión de la batería incorrecta**
Vuelva a conectar el cargador a una batería de 12 voltios.
2. **Conexiones de la batería invertidas**
Inspeccione todas las conexiones. El negativo (negro) en la batería se debe conectar al negativo (negro) en el cargador, y el positivo en la batería se debe conectar al positivo en el cargador. Si se invierten las conexiones de la batería, los diodos emisores de luz de 'Alerta del sistema' y 'Alarma sonora silenciada' centellearán.
3. **Condición de desbordamiento térmico**
"Desbordamiento térmico" es el término técnico para el estado de la batería cuando algunas (o todas) las celdas se han deteriorado hasta el punto en que no aceptarán una carga. En este caso, cambie la batería.
4. **Monitor de tiempo de carga - 1 y 2**
La batería demoró demasiado tiempo en completar la carga. El 'Monitor de Tiempo de Carga' apagará el cargador después de 84 horas de carga continua. Causas posibles son:
 - A) La bomba marchó por un período de tiempo prolongado durante la carga, o
 - B) La batería es demasiado grande para el cargador (incluyendo varias baterías conectadas en circuito paralelo).

Aplique la fórmula en el Cuadro I para determinar si su batería es demasiado grande para el cargador. Si el tiempo de carga calculado es mayor de 84 horas, use una batería más pequeña (o un grupo de baterías).

CUADRO I – Cálculo de la capacidad de la batería

$$\text{Tiempo de carga} = \frac{\text{Capacidad de la batería en amperios horas (AH)}}{2 \text{ amperios}} \times 1.25$$

Ejemplo 1:

$$\text{Tiempo de carga} = \frac{130 \text{ amperios horas}}{2 \text{ amperios}} \times 1.25 =$$

$$\text{Tiempo de carga} = \frac{130H}{2} \times 1.25 = 65H \times 1.25 = 81.25 \text{ Horas}$$
 Menos de 84 horas para cargar; se puede usar.

Ejemplo 2:

$$\text{Tiempo de carga} = \frac{160 \text{ amperios horas}}{2 \text{ amperios}} \times 1.25 =$$

$$\text{Tiempo de carga} = \frac{160H}{2} \times 1.25 = 80H \times 1.25 = 100 \text{ Horas}$$
 Capacidad demasiado grande - usar una batería de 130 AH o menor.

NOTA: Una batería de 100AH en buen estado se debería cargar en aproximadamente 62 horas.

Demasiado drenaje de la batería

Es posible que la bomba marchó por mucho tiempo y descargó la batería. En este caso:

- A) Si la corriente de 115 VCA está desactivada, el cargador se apaga hasta que vuelva la corriente, pero la bomba marchará mientras la carga de la batería dure. Es posible que deba cambiar la batería después.
- B) Si la corriente de 115 VCA está activada, el cargador / control continúa tratando de cargar la batería a una velocidad de carga de 0.5 AH hasta que la carga de la batería sea más del 20%, en cuyo momento el cargador volverá a cargar a una velocidad de 2 AH.
- C) Si la bomba está marchando y la corriente de CA está activada, es posible que necesite detener la bomba para permitir que se cargue la batería.

Prueba de pre-calificación – 1 y 2

El cargador está cargando a un nivel muy bajo para tratar de revitalizar una batería descargada. Si la batería demora demasiado, trate de reposicionar el cargador una o dos veces (oprima los botones de 'Prueba del sistema' y 'Silenciar alarma' para reposicionar el cargador).

Características especiales:

- El cargador viene equipado con protección contra batería inversa, cortocircuito y "carga desbordada".

REQUISITOS DE LA BATERÍA

⚠ ADVERTENCIA Peligro de corriente eléctrica. Si los bornes de la batería entran en cortocircuito pueden provocar quemaduras graves y comenzar un incendio. Instale la batería en la caja de la batería (Consulte la Clave No. 12, en la página 31). Para evitar un cortocircuito accidental en los bornes de la batería, cierre y trabaje bien la caja de la batería. No deje la batería descubierta. No permita que los niños jueguen alrededor de la instalación del sistema de batería de respaldo.

Su bomba de respaldo para sumidero depende de la batería que se use con la misma para su energía. Cuanto mejor sea la batería, mejor será el rendimiento de la bomba. Recomendamos el uso de una Batería Marina a Descarga de Empuje tamaño 27 M. Se desempeñará según se indica en el Cuadro VI, en la página 30, y resistirá bien los períodos prolongados de poco o ningún uso.

Este sistema está diseñado para funcionar con una batería marina a descarga de empuje, ya sea un acumulador ácido de plomo inundado o un acumulador ácido de plomo AGM sellado, que no requiere mantenimiento. **No se recomienda** el uso de una batería estándar para automóviles con este cargador. Una batería para automóvil puede necesitar carga después de sólo 1-2 horas de uso continuo, y los ciclos de carga repetidos pueden provocar una falla temprana de la placa en la batería.

Use sólo la batería recomendada o una del mismo tipo y tamaño para que encaje en la caja de la batería (máximo tamaño de 13" de largo, 7" de ancho y 10" de altura [330.2 mm x 177.8 mm x 254 mm] incluyendo los bornes) y suministre suficiente tensión para un rendimiento completo.

MANTENIMIENTO DE LA BATERÍA

⚠ ADVERTENCIA Peligro de quemaduras graves. Un acumulador de plomo lleno de ácido contiene ácido sulfúrico. Evite el contacto con la piel, los ojos y la ropa.

AVISO: Para que la caja de la batería no se casque ni se agriete, no permita que la batería esté apoyada sobre un piso de hormigón. Instale la batería sobre un estante o un cojinete protector (madera contrachapada, vigas de madera de 2 x 4, etc.). Siempre instale la batería en un lugar seco que esté protegido contra inundaciones.

Siga las recomendaciones del fabricante de la batería para su mantenimiento y el uso seguro de la misma.

LOCALIZACIÓN DE FALLAS

La bomba no marcha.

1. Inspeccione todas las conexiones de cableado.
2. Verifique que la batería no esté baja o defectuosa.
3. Verifique que el interruptor automático se pueda mover hacia arriba y hacia abajo libremente.
4. Oprima el botón de reposición del disyuntor en el tablero de control.

El motor zumba pero la bomba no marcha:

1. Verifique que la batería no esté baja o defectuosa.

La bomba marcha pero bombea muy poco o nada de agua:

1. Verifique que se haya instalado una válvula de retención y que ésta esté funcionando entre la descarga de la bomba primaria y el Te de la batería de respaldo.
2. Verifique que no haya obstrucciones en la tubería de descarga.
3. El largo y/o la altura de la tubería de descarga sobrepasa la capacidad de la bomba. Consulte el Cuadro VI, en la página 30, para determinar la capacidad de la bomba.
4. Verifique que la batería no esté baja o defectuosa.
5. Los cables positivo (+) y negativo (-) de la bomba están invertidos. Desconéctelos y vuelva a conectarlos correctamente.

La bomba pasa por los ciclos con demasiada frecuencia:

La válvula de retención ubicada entre la descarga de la bomba primaria y el Te de la Batería de Respaldo no está instalada o no está funcionando debidamente. Instale la válvula de retención auxiliar (consulte las páginas 24 y 25) o reemplace la válvula de retención presente según se necesite.

CUADRO II – Visualizaciones de los códigos de operación (Diodos emisores de luz (DEL) continuamente iluminados o centelleando)

Visualización del código de operación del DEL	Estado de operación del sistema
System Alert (Alerta del sistema) ○	
Silenced audible alarm (Alarma sonora silenciada)	
Pump status (Estado de la bomba)	Charging (Cargando)
AC power (Corriente CA)	Battery status (Estado de la batería)
	Indica La corriente de 115 V CA está conectada
	Indica La bomba está marchando (DEL continuo)
	Indica DEL centelleando rápidamente: La bomba ha marchado
	Indica La alarma sonora está apagada
	Indica DEL centelleando rápidamente: La prueba de pre-calificación de la batería está marchando
	Indica La batería se está cargando normalmente
	Indica DEL continuo: la carga de la batería es superior al 20%, el sistema está manteniendo la carga
	Indica DEL centelleando lentamente: la carga de la batería está por debajo del 20%
= DEL es encendido continuamente	= DEL está centelleando (rápido)
	= DEL está centelleando (lento) ○ = DEL está apagado

NOTA: Todas las situaciones enumeradas arriba indican una operación normal del sistema; no requieren ninguna acción. Sin embargo, si la bomba BBU está marchando o ha marchado, inspeccione la bomba primaria y controle activamente el estado del cargador para verificar la vida útil de la batería. Siempre reposicione el cargador después de que la bomba haya marchado. Durante una operación normal del sistema, el DEL de "Alerta del Sistema" no se ilumina. El DEL de "Corriente alterna CA" se ilumina siempre que el sistema esté enchufado en un circuito de corriente alterna CA activo.

CUADRO III – Visualizaciones de función del diodo emisor de luz (DEL iluminados continuamente)

DEL de control:	Iluminación continua indica operación normal:
Corriente CA	Corriente CA presente.
Estado de la bomba	El interruptor de flotador se ha activado. El DEL permanece encendido (centelleando) después que la bomba se ha detenido. Oprima el botón de "Prueba del sistema" para reposicionar.
Alarma sonora silenciada	La alarma sonora se ha silenciado. Oprima y suelte el botón de "Silenciar alarma" para reposicionar (activar) la alarma sonora y apagar el DEL.
Cargando	Indica que la batería está cargando – ver el Cuadro II, arriba.
Estado de la batería	A. Continuamente encendido ("ON") - la tensión de la batería es superior a los 10.9 voltios de CC y su capacidad es superior al 20%. B. Timbre lento / DEL centellea lentamente - la capacidad de la batería es inferior al 20%, y la tensión está entre 8.2 VCC y 10.9 VCC. C. Timbre rápido / DEL centellea rápidamente - la batería se ha descargado a menos de 8.2 VCC.
Alerta del sistema	Centelleo (al unísono con el timbre) indica que el cargador ha entrado en el "Modo de Falla". Oprima los botones de "Prueba del Sistema" y "Silenciar alarma" para reposicionar. NOTA: Si no se corrige la fuente del problema, el cargador volverá a entrar en el "Modo de Falla". Consulte el Cuadro IV para obtener información sobre los códigos de error.

CUADRO IV – Visualizaciones de los códigos de error (DEL centelleando)

Visualización de los códigos de error de los DEL		Estado de error y medida correctiva	
System Alert (Alerta del sistema)		NOTA: Cuando el DEL de "Alerta del Sistema" esté centelleando, busque uno de los siguientes estados de error.	
Silenced audible alarm (Alarma sonora silenciada)			
Pump status (Estado de la bomba)			
AC Power (Corriente CA)			
Charging (Cargando)			
Battery status (Estado de la batería)			
Estado			Medida
= Demasiado drenaje de la batería;			Detener la bomba, permitir que la batería se cargue (CA debe estar activada)
= La batería no acepta una carga ***;			Cambiar la batería por un nuevo acumulador ácido de plomo de 12V
= Conexiones de la batería inversas;			Conectar + a + y - a -. *
= Tensión de la batería incorrecta;		Cambiar la batería por un nuevo acumulador ácido de plomo de 12V	
= Falló prueba de pre-calificación – 1**;		Cambiar la batería por un nuevo acumulador ácido de plomo de 12V	
= Falló prueba de pre-calificación – 2**;		Cambiar la batería por un nuevo acumulador ácido de plomo de 12V	
= Monitor de tiempo de carga – 1;		Verificar que las células de la batería no estén dañadas; Cambiar la batería	
= Monitor de tiempo de carga – 2;		Verificar que las células de la batería no estén dañadas; Cambiar la batería	
= Carga de la batería debajo del 20%;		La bomba se apagará, la batería no está cargando. Cambiar la batería.	
<p>* NOTA: Si su corriente CA está desactivada y la unidad está muerta (los DEL no están iluminados, no hay alarma sonora, la bomba no está marchando), verifique que las conexiones de la batería al cargador / control no estén invertidas.</p> <p>** El cargador estaba cargando a un nivel muy bajo para tratar de revitalizar la batería descargada, pero la batería demoró demasiado tiempo en cargarse. Tratar de reposicionar el cargador una o dos veces (oprimir los botones de "Prueba del sistema" y "Silenciar alarma" al mismo tiempo para reposicionar el cargador).</p> <p>*** Estado de desbordamiento térmico</p>			
<p> = DEL es encendido continuamente = DEL está centelleando (rápido) = DEL está centelleando (lento) = DEL está apagado</p>			

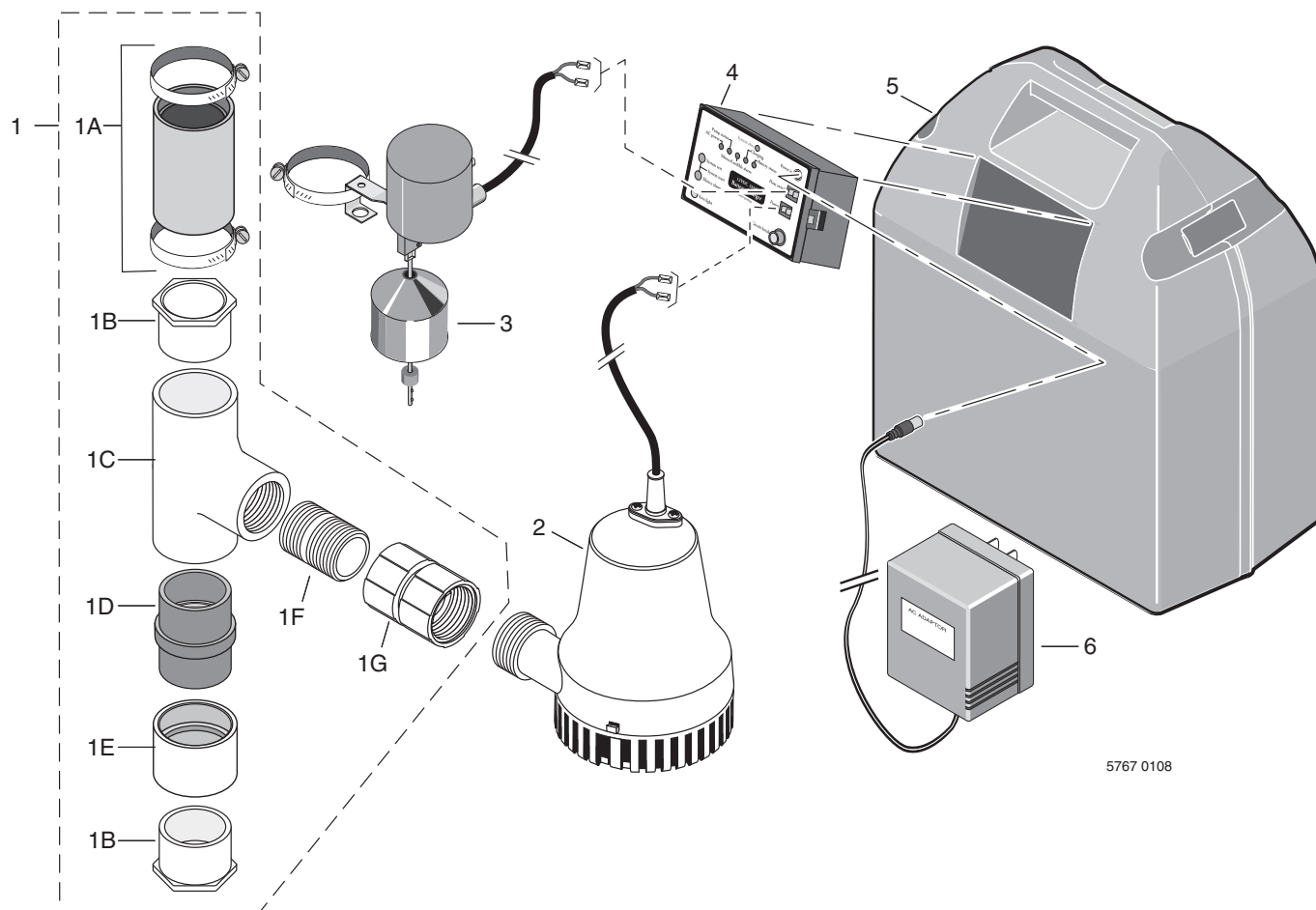
CUADRO V – Funciones de los botones de control

Botón de control:	Resultado cuando se oprime el botón:
Prueba del sistema	La bomba se enciende y todos los DEL se iluminan. Reposicionará el DEL de "Estado de la bomba". Cuando se oprima con el botón de "Silenciar alarma", el microprocesador del Cargador / Control se reposiciona y reposiciona el código de error.
Silenciar alarma	Basculante; Impide que la alarma sonora suene. Oprimir y soltar para reposicionar.
Luz de proyección	Oscila el encendido y apagado de la luz de proyección en el Cargador / Control.

CUADRO VI – Clasificaciones de capacidad con una batería marina a descarga de empuje con 100 A-H

	DISTANCIA VERTICAL DE BOMBEO - MODELO MBSP-01			
	8 PIES (2.4 M)	10 PIES (3.0 M)	12 PIES (3.7 M)	16 PIES (4.9 M)
Galones por hora	1,440	1,200	840	Sin flujo a esta altura
Aproximadas horas disponibles	10	11.5	13	–
Total de galones bombeados	8,500	7,000	5,000	–

* Estos caudales se obtuvieron con una fuente constante de batería de 12.7 VCC. Los GPH efectivos varían debido a una reducción en la tensión de salida desde la batería a medida que se descarga.



5767 0108

Clave No.	Descripción de la pieza	Número de la pieza
1	Juego de repuesto de accesorios de ferretería (Incluye las Claves Nos. 1A a 1G)	PS198-270
1A	Empalme de manguera de caucho con inserciones (2) y abrazaderas (2)	U74-68
1B	Manguito reductor corredizo de PVC de 1-1/2 x 1-1/4 (2)	*
1C	Te de PVC de 1-1/2 x 1-1/2 corredizo x 1-1/4 FNPT	*
1D	Válvula de retención auxiliar	*
1E	Empalme corredizo de PVC de 1-1/2 x 1-1/2	*
1F	Niple de tubería en PVC, 1-1/4 NPT x bicónico	*
1G	Conjunto de válvula de retención, 1-1/4 FNPT x 1-1/4 FNPT	*
2	Bomba de respaldo de CC	**
3	Paquete de interruptor de flotador vertical	PS198-269REP
4	Cargador	PS217-1512
5	Caja de la batería (completa)	PS17-1512
6	Adaptador de CA	PS17-1530
•	Juego de repuesto eléctrico (incluye DEL de luz del área y conductores de batería)	PS1513REP

* Incluido en el Juego de Repuestos de Accesorios de Ferretería, Clave No. 1

** Si falla la bomba, cambiar todo el sistema.

NOTA: El Conjunto de Válvula de Retención (Clave No. 1G) se debe instalar debidamente o se invalidará la garantía. Si la bomba de sumidero primaria no tiene instalada una válvula de retención debajo del Te de la Batería de Respaldo, una Válvula de Retención Auxiliar (Clave No. 1D) se deberá instalar correctamente, para no invalidar la garantía.

