

# SX50/SX50H PACKAGES

Simplex and Duplex Explosion-Proof Packages  
Submersible Sump Pump/Control Panel



**MYERS SX50 AND SX50H ARE RUGGED ½ HP EXPLOSION-PROOF SUBMERSIBLE SUMP PUMPS DESIGNED FOR MANY COMMERCIAL, MUNICIPAL OR INDUSTRIAL APPLICATIONS.** The SX50 and SX50H are U.L. and CSA listed with construction for use in Class 1, Division 1, Group D hazardous locations. These pumps are designed to pump contaminated water with a wide range of pollutants listed under the U.L., CSA listing. The pump package includes Myers intrinsically safe control panel. For additional information, please contact your local Myers representative or the Myers Ashland, Ohio sales office at 419-289-1144.

## MYERS CEX CONTROL PANELS FEATURE:

- NEMA 4X enclosure with inner door
- Separate pump and control circuit breaker
- intrinsically safe module for floats
- H-O-A switch
- Run, seal leak, and alarm light
- Motor starter and capacitor
- U/L 913
- Solids handling up to 2"

## APPLICATIONS INCLUDE

- Service stations
- "Quick-lube" stations
- Car/Truck washes
- Truck docks
- Military base

## PUMP/CONTROL PANEL PACKAGES

### SIMPLEX 1Ø

- SX50-21PS (high flow)
- SX50H-21PS (high pressure)

### SIMPLEX 3Ø

- SX50-23PS (high flow)
- SX50H-23PS (high pressure)

### DUPLEX 1Ø

- SX50-21PD (high flow)
- SX50H-21PD (high flow)

### DUPLEX 3Ø

- SX50-23PD (high flow)
- SX50H-23PD (high pressure)

## PRODUCT CAPABILITIES

Capacities To	95 GPM	360 LPM	
Heads To	34 ft.	10 m	
Solids Handling	SX50 SX50H	2 in. 1/4 in.	50 mm 19 mm
Liquids Handling	domestic effluent & drain water		
Intermittent Liquid Temp.	up to 140° F	up to 60° C	
Winding Insulation Temp. (Class B)	266°F	130°C	
Motor Electrical Data (Single phase motors are capacitor start type. Myers control panels or capacitor kits are recommended for proper operation and warranty.)	½ HP, 1750 RPM 1 ph - capacitor start, 230 volt; 60 Hz 3 PH - 200/230/460 volt; 60 Hz		
Std. Third Party Approvals	CSA, UL Class 1 Div. 1, Group D		
Acceptable pH Range	6 - 9		
Specific Gravity	.9 - 1.1		
Viscosity	28 - 35 SSU		
Discharge, NPT	SX50 SX50H	2 in. 1½"	50 mm 38.1 mm
Min. Basin Diameter	Simplex Duplex	24 in. 36 in.	61.0 cm 91.4 cm

Note: Consult factory for applications outside of these recommendations.

## Construction Materials

Motor Housing, Seal Housing, Cord Cap, Volute Case	cast iron, Class 30, ASTM A48
Impeller	recessed, cast iron, Class 20 A48-62
Power Cord	15' 14/4 SOW/SOW-A
Control Cord	15' 18/5 SOW/SOW-A
Mechanical Seals - Std. Opt.	dbl. tandem carbon & ceramic lower tungsten carbide
Pump, Motor Shaft	416 SST
Fasteners	300 Series SST

WHERE INNOVATION MEETS TRADITION

**Myers®**  
Pentair Pump Group

# SX50/SX50H PACKAGES

Simplex and Duplex Explosion-Proof Packages  
Submersible Sump Pump/Control Panel

## STATOR

½ hp, 1750 RPM, 1 or 3 phase. Press fit for perfect alignment and best heat transfer. Oil-filled motor conducts heat and lubricates bearings.

## CABLE ENTRY SYSTEM

Provides double seal protection. Cable jacket sealed by compression grommet. Individual wires sealed by epoxy potting.

## HEAT SENSOR

Protects motor from burn-out due to excessive heat from any overload condition. Automatically resets when motor has cooled.

## BALL BEARINGS

Upper and lower ball bearings support shaft and rotor and take axial and radial loads.

## HEAVY 416 SST SHAFT

Corrosion resistant. Reduces shaft deflection due to grinding loads.

## SHAFT SEALS

Double tandem mechanical shaft seals protect motor. Oil-filled seal chamber provides continuous lubrication.

## SEAL LEAK PROBE

Detects water in seal housing, activates warning light in control panel.

## VOLUTE CASE

Cast iron 1½" - 2" vertical discharge.

## IMPELLER

Cast iron recessed impeller handles ground slurry without clogging or binding. Provides unobstructed flow passage. Reduces radial loads. Pump-out vanes help keep trash from seal, reduces pressure at seal faces.

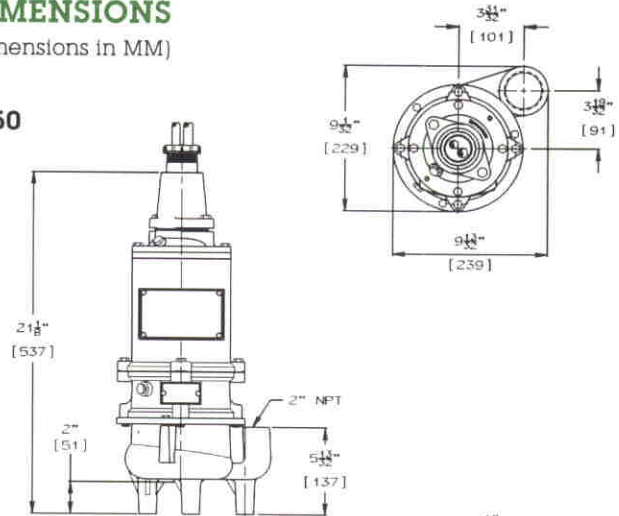
## SLEEVE BEARING

Takes radial load; provides flame path.

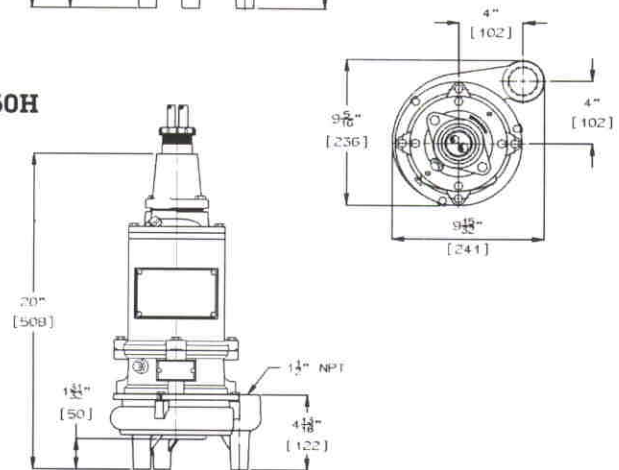
## DIMENSIONS

(Dimensions in MM)

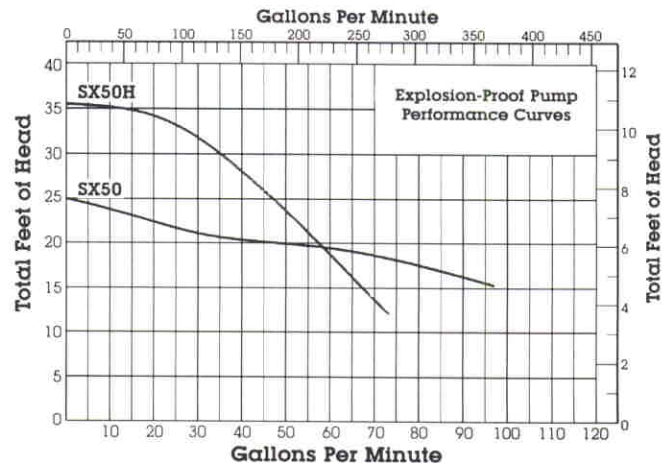
### SX50



### SX50H



## PERFORMANCE CURVE



K4017 10/01  
Printed in U.S.A.

**Myers®**  
Pentair Pump Group

F. E. Myers, 1101 Myers Parkway, Ashland, Ohio 44805-1969  
419/289-1144, FAX: 419/289-6658, www.femyers.com

Myers (Canada), 269 Trillium Drive, Kitchener, Ontario N2G 4W5  
519/748-5470, FAX: 519/748-2553

