

ED-25

Electric Drain
1/4 HP Under Sink Alternative
Sink Pump System



ED-25 comes completely assembled

THE MYERS ED-25 UNDER SINK PUMP SYSTEM OFFERS ANOTHER ALTERNATIVE FOR PUMPING WASTEWATER FROM LAUNDRY TRAYS, WET BARS, DEHUMIDIFIERS, WASHING MACHINES, WATER SOFTENERS, AND MORE. This pre-assembled unit is easy to install, self-contained and there is no costly sump to dig. Contact your Myers distributor or the Myers sales office at 419-289-1144 for more details.

ADVANTAGES BY DESIGN

COMPLETE SYSTEM IS SELF-CONTAINED.

- Polypropylene tank is lightweight and corrosion resistant.
- Gasketed cover is gas-tight, rubber cord seal plug prevents leakage around power cord.
- Pump is pre-piped and factory installed.
- Gaskets, seals and grommets are factory pre-assembled.

UNIT IS EASILY SERVICED IF NECESSARY.

- Removable filter is easily cleaned and prevents pump plugging.

DURABLE PUMP FOR LONG LIFE.

- Powerful capacitor run motor.
- Dual ball bearing.
- Built-in overload protection.
- Cast iron housing for superior heat dissipation.
- Non-clogging recessed impeller.

PRODUCT CAPABILITIES

Capacities To	28 gpm	105 lpm
Heads To	23 ft.	7 m
Pump Down Range	4 $\frac{1}{8}$ in.	107 mm
Liquids Handling	Laundry water, water softener discharge, wet bar drainage, humidifier condensate, etc.	
Intermittent Liquid Temp.	up to 140°F	up to 60°C
Motor	1/4 HP w/auto-reset thermal overload	
Electrical	115 volts, 6.5 amps, 1 phase, 60 Hz	
Acceptable pH Range	6-9	
Pump Discharge, NPT	1 $\frac{1}{2}$ in.	
Tank Dimensions:		
Height	16 in.	41 cm
Diameter: Top	14.5 in.	37 cm
Bottom	11 in.	28 cm
Inlet Opening	1 $\frac{1}{2}$ in.	38.1 mm
Vent Opening	2 in.	51 mm
Discharge Opening	1 $\frac{1}{2}$ in.	---
Capacity	5 gallons	19 liters

Construction Materials

Motor Housing	cast iron
Volute Case	thermoplastic
Impeller	recessed, thermoplastic
Power Cord	10 ft. 16/3 SJTW/SJTW-A
Mechanical Seal	carbon and ceramic
Tank	polypropylene

WHERE INNOVATION MEETS TRADITION

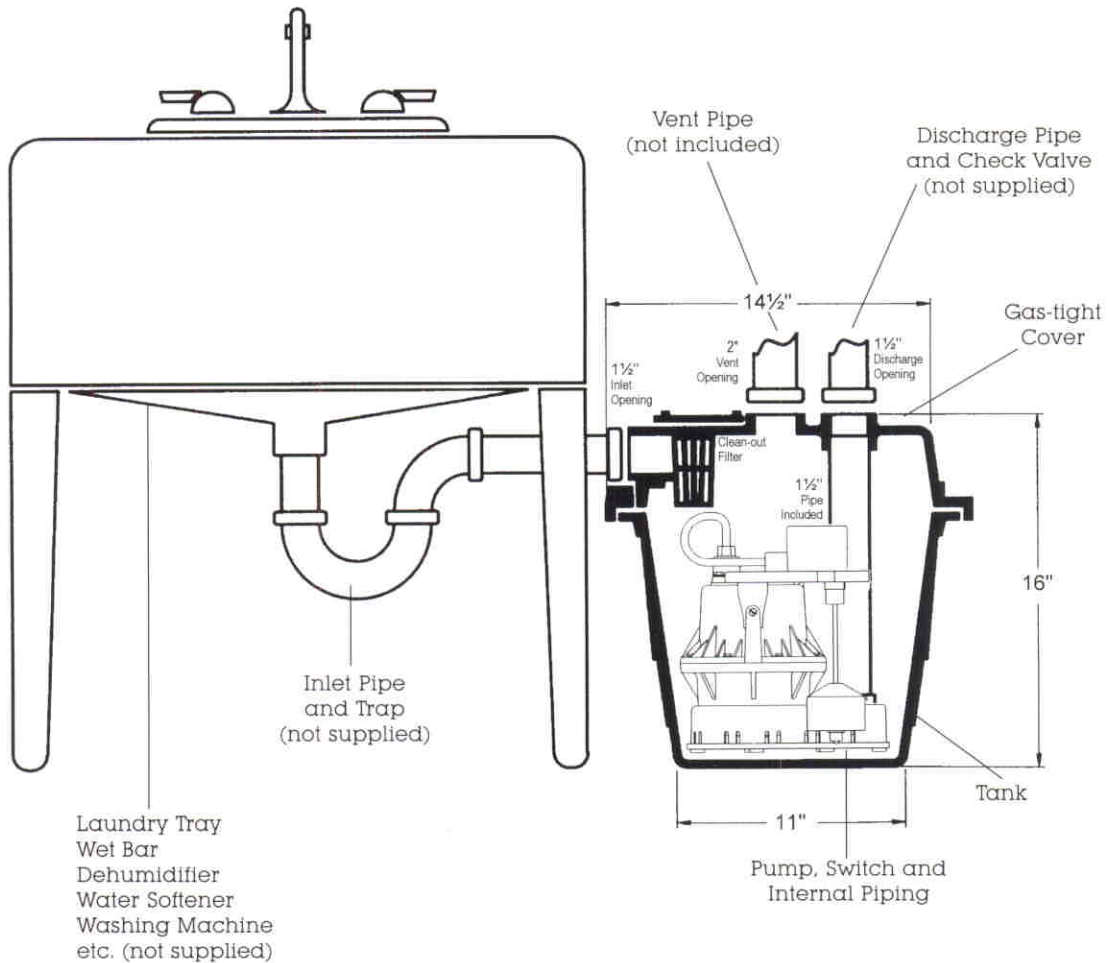
Myers[®]

Pentair Pump Group

ED-25

Electric Drain
1/4 HP Under Sink Alternative
Sink Pump System

TYPICAL INSTALLATION/DIMENSIONS



ED-25 PERFORMANCE

Total Head (Ft.)	5'	10'	15'	20'
GPM	27	21	14	6

K3576 9/00
Printed in U.S.A.



Myers[®]
Pentair Pump Group

F. E. Myers, 1101 Myers Parkway, Ashland, Ohio 44805-1969
419/289-1144, FAX: 419/289-6658, www.femyers.com

Myers (Canada), 269 Trillium Drive, Kitchener, Ontario N2G 4W5
519/748-5470, FAX: 519/748-2553