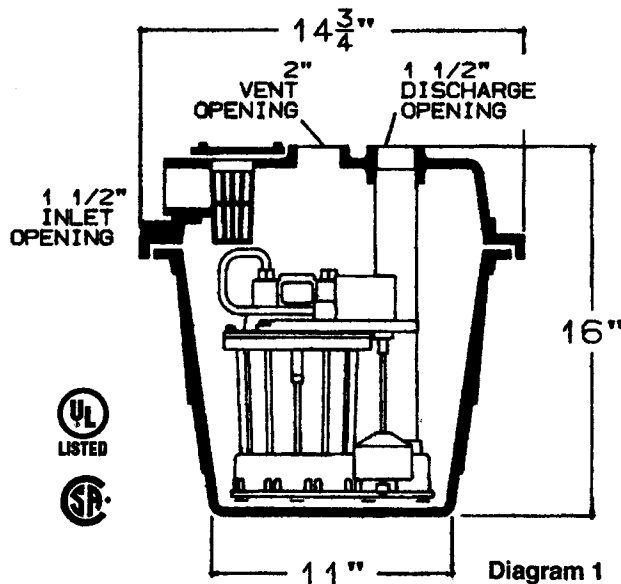


MODEL ED-25 ELECTRIC DRAIN SINK PUMP SYSTEM INSTALLATION INSTRUCTIONS

Myers®



Warranty void if product modified, drilled, painted, or altered in any way; if used to pump hot water, or to pump liquids other than water (such as but not limited to chemicals, fertilizers, flammable liquids, herbicides, mud, tar, cement, wood chips); or otherwise abused.

The Model ED-25 Sink Pump System is especially designed for pumping wastewater from laundry trays, washing machines, wet bars, water softeners, dehumidifiers, etc. This pump system installs above floor level, no need to dig a sump! This pump system can not be used for laundry/dishwasher applications in a commercial or industrial environment.

INSTALLATION INSTRUCTIONS

CAUTION: Pump power cord is coiled inside the basin for shipment. Remove the extra cord from the basin before operation.

Diagrams 1 and 2 show the various connections that must be made for proper installation and operation. This is only a guide – actual installation may vary depending on the particular situation.

Inlet: A 1 1/2" inlet is provided on the ED-25 Sink Tank System. One method of hook up is to use a 1 1/2" PVC MIP adapter or a 1 1/2" PVC MIP marvel connection (or a similar type of connection). You may use a 1 1/2" extension tailpiece or 1 1/2" PVC pipe, it depends on the type of fittings used on the basin inlet. A P-trap should be

installed once the appropriate connections are made on the basin inlet. Once these fittings are installed the rest of the piping may be plumbed.

Vent: Provision has been made for a 2" vent to allow maximum volume for any application and proper operation of pump. The vent may be reduced to no less than 1 1/4". Venting is essential for proper pump operation and should not be omitted. The ED-25 Sink Pump System may be vented into an existing vent stack or use a BOCA in-line vent. Check local codes.

Discharge: Do not restrict discharge line below 1 1/4". A check valve **MUST** be installed to prevent backflow of water after each cycle. If you are using 1 1/2" or 1 1/4" PVC pipe on the discharge line, a Myers CV-170 check valve is recommended. Once check valve has been installed, plumb the discharge line into an existing drain line.

Basin: Myers Model ED-25 Sink Pump System includes a corrosion-resistant polypropylene tank with a gasketed cover. An inlet strainer is provided in the basin cover above the inlet. The strainer is sealed and held in place with the four thumb screws provided.

MAINTENANCE

Caution: Always disconnect pump from the electrical power source before doing any maintenance.

Your sink pump system is manufactured for easy maintenance. Each unit is individually factory-tested to ensure proper adjustment and operation. If unit fails to operate properly, carefully read instructions again to make sure correct procedure has been followed.

Note: The basin strainer requires routine maintenance. The strainer should be removed and cleaned monthly to prevent clogging.

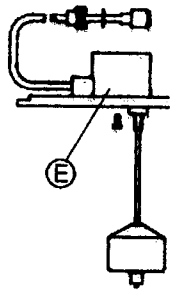
ELECTRICAL INFORMATION

S25V1 pump is 8 amps. SP25V1 pump is 6.5 amps.

WARNING! Risk of electrical shock. This pump is supplied with a grounding conductor and grounding type attachment plug. To reduce risk of electrical shock, connect only to a properly grounded grounding-type receptacle. This pump has not been investigated for use in swimming pool areas. **DO NOT WORK ON PUMP UNTIL POWER IS UNPLUGGED. DO NOT** cut off ground pin or use an adapter fitting. **DO NOT** use an extension cord. The pump power cord should be connected to a separately fused, grounded 115 volt line with a minimum capacity of 15 amps. **NEVER** touch the pump when it is connected to electrical power.

The receptacle should be located at least 4 feet above floor level.

When wiring this pump follow all local electrical and safety codes and ordinances as well as the most recent National Electrical Code (NEC-ANSI/NFPA 70).



**VERTICAL
FLOAT
SWITCH**

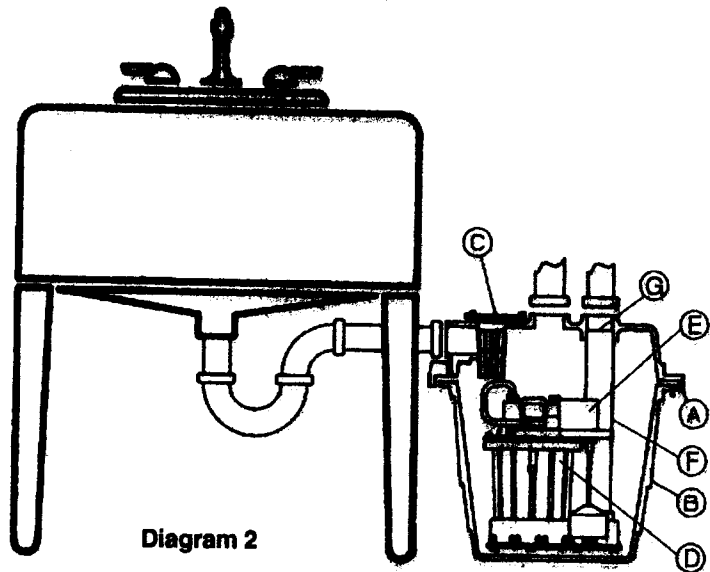


Diagram 2

Ref. No.	Description	Part Number	Quantity
A	Basin Cover	25540C001	1
B	Basin Bottom	25530C000	1
C	Kit, Strainer, Strainer Cover, Strainer Gasket, Screws, Basin Gasket & Cover Screws	25540C002	1
D	Pump, S25V1 with Switch	24430D150	1
D	Alt. Pump, SP25V1 with Switch	24683D050	1
E	KC-011 Switch & Bracket	26262D100K	1
F	Pipe, Discharge	25624A002	1
G	Ring, "O" 1-3/4 x 1-15/16 x 3/32	05876A244	1

Product Improvements: MYERS reserves the right to change or improve its products or any portions thereof without being obligated to provide such a change or improvement for units sold and/or shipped prior to such change or improvement.

LIMITED WARRANTY

During the time periods and subject to the conditions hereinafter set forth, F.E. MYERS will repair or replace to the original user or consumer any portion of your new MYERS product which proves defective due to defective materials or workmanship of MYERS. Contact your nearest Authorized MYERS Dealer for warranty service. At all times MYERS shall have and possess the sole right and option to determine whether to repair or replace defective equipment, parts, or components. Damage due to lightning or conditions beyond the control of MYERS is NOT COVERED BY THIS WARRANTY.

WARRANTY PERIOD

PUMPS & TANKS: 12 months from date of installation or 18 months from date of manufacture, whichever occurs first.

ACCESSORIES AND COMPONENTS not manufactured by MYERS warranted only to the extent of the original manufacturer's warranty.

LABOR, ETC. COSTS: MYERS shall IN NO EVENT be responsible or liable for the cost of field labor or other charges incurred by any customer in removing and/or reaffixing any MYERS product, part or component thereof.

THIS WARRANTY WILL NOT APPLY: (a) to defects or malfunctions resulting from failure to properly install, operate or maintain the unit in accordance with printed instructions provided; (b) to failures resulting from abuse, accident, or negligence; (c) to normal maintenance service and the parts used in connection with such service; (d) to units which are not installed in accordance with applicable

local codes, ordinances and good trade practices; (e) if the unit is moved from its original installation location, or (f) if unit is used for purposes other than for what it was designed and manufactured.

RETURN OR REPLACED COMPONENTS: Any item to be replaced under this warranty must be returned to MYERS at Ashland, Ohio, or such other place as MYERS may designate, freight prepaid.

WARRANTY EXCLUSIONS: As to any specific MYERS product, after the expiration of the time period of the warranty applicable thereto as set forth under the heading "Warranty Periods" above. THERE WILL BE NO WARRANTIES INCLUDING ANY IMPLIED WARRANTIES OF MERCHANTABILITY OR FITNESS FOR ANY PARTICULAR PURPOSE.

Some states do not allow limitations on how long an implied warranty lasts, so the above limitation may not apply to you. No warranties or representations at any time made by any representative of MYERS shall vary or expand the provisions hereof.

LIABILITY LIMITATION: IN NO EVENT SHALL MYERS BE LIABLE OR RESPONSIBLE FOR CONSEQUENTIAL, INCIDENTAL OR SPECIAL DAMAGES RESULTING FROM OR RELATED IN ANY MANNER TO ANY MYERS PRODUCT OR PARTS THEREOF.

Some states do not allow the exclusion or limitation of incidental or consequential damages, so the above limitation or exclusion may not apply to you. This warranty gives you specific legal rights and you may also have other rights which vary from state to state. In the absence of other suitable proof of this installation date, the effective date of this warranty will be based upon the date of manufacture plus one (1) year.

Direct all notices, etc. to: Warranty and Product Service Department, F.E. Myers, 1101 Myers Parkway, Ashland, Ohio 44805-1969.

Myers®

F.E. Myers, 1101 Myers Parkway, Ashland, Ohio 44805-1969
419/289-1144, FAX: 419-289-6658, www.femyers@aol.com
Myers (Canada), 269 Trillium Drive, Kitchener, Ontario N2G 4W5
519/748-5470, FAX: 519/748-2553