

# ITT

Wastewater

## Goulds Pumps

### Sump Pumps

Installation, Operation and  
Maintenance Instructions



Goulds Pumps is a brand of ITT Water Technology, Inc.  
- a subsidiary of ITT Industries, Inc.

[www.goulds.com](http://www.goulds.com)

*Engineered for life*

**TO AVOID SERIOUS OR FATAL PERSONAL INJURY OR MAJOR PROPERTY DAMAGE, READ AND FOLLOW ALL SAFETY INSTRUCTIONS IN MANUAL AND ON PUMP.**



This is a **SAFETY ALERT SYMBOL**. When you see this symbol on the pump or in the manual, look for one of the following signal words and be alert to the potential for personal injury or property damage.



Warns of hazards that **WILL** cause serious personal injury, death or major property damage.



Warns of hazards that **CAN** cause serious personal injury, death or major property damage.



Warns of hazards that **CAN** cause personal injury or property damage.


**NOTICE:** Indicates special instructions which are very important and must be followed.


**THIS MANUAL MUST BE KEPT WITH THE PUMP.**


**MAINTAIN ALL SAFETY LABELS.**


## IMPORTANT PRE-INSTALLATION INFORMATION




 All electrical work must be performed by a qualified technician. Always follow the National Electrical Code (NEC), or the Canadian Electrical Code, as well as all local, state and provincial codes.

 The pump must be connected to a dedicated electrical circuit protected by a properly sized circuit breaker or fuses. Install a disconnect where required by code. Code questions should be directed to your electrical inspector. **See Chart 1 for specific information.**

 Disconnect electrical power before installing or servicing the pump. The motor's automatic thermal overload protection may allow an overheated pump to restart unexpectedly.

 Pump is not designed for use in swimming pools, open bodies of water, hazardous liquids, or where flammable gases exist.

 Pumps and floats equipped with a 3-prong grounded plug must be connected to a 3-wire receptacle. Do not attach to extensions or connectors without a 3-prong grounded plug. Removing the plug from the power cord is allowable as long as the hard wiring is done per code by a qualified technician. Removing the plug will not void the warranty or agency listing.

## 1. GENERAL INFORMATION

- 1.1. Sump pumps are designed to operate intermittently and usually seasonally. It is recommended that you test the pump before your rainy season begins to insure that the pump and switch are operating properly.
- 1.2. We suggest installing a high water alarm system and a battery back-up pump system for finished basements or areas where flooding will cause property damage. A back-up generator is another option you can discuss with your pump installer. Most power outages occur during rain storms, just when you need your sump pump the most! Pump manufacturer's warranties cover only the pump. Labor and incidental damage such as flooding is not covered.

## 2. PRE-INSTALLATION CHECKS

- 2.1. Open all cartons and inspect for shipping damage. Report any damage to your supplier immediately.
- 2.2. Verify that all equipment is the correct voltage. Warranty does not cover damage caused by connecting pumps and controls to incorrect voltage.
- 2.3. Is your basin sized correctly and the proper type for the location?

*Diameter* - It must be wide enough to allow the pump and switch to physically fit and provide room for the switch to operate freely. The vertical switch models typically require less diameter than the wide-angle float models. See "*min. basin diameter*" in Chart 1.



*Depth* - It must be deeper than the minimum depth at which the switch turns the pump On. As an example, if the pump turns on at 15" you want to use a basin deeper than 15". See "*On level*" in Chart 1.



*Style* - There are several sump basin styles available. The location of the sump determines if you require a cover and what type you require. It is important to keep debris from entering the sump and clogging the pump. An open sump in a traffic area such as a basement is dangerous. If children or pets will be playing

in the area a bolt-on or child-proof cover is recommended.

## 3. PIPING

- 3.1. Discharge pipe should be the same size as the pump discharge to insure optimum performance. Using undersized pipe may dramatically reduce the flow and therefore waste energy. Your pump supplier can suggest the correct pipe for your installation.
- 3.2. Install a threaded pipe adapter, matched to the pipe type you are using, into the threaded pump discharge. One end will have a male thread and the other end will have a barbed connector, compression fitting or solvent weld connector. Use Teflon<sup>®</sup> tape on all threaded joints. If using solvent welded pipe and fittings it is best to dry fit them first and after verifying the fit, solvent weld. A union installed just above the sump or basin cover will facilitate future maintenance and replacement. See Chart 1 for discharge sizes.
- 3.3. Install a line check valve within 2 feet of the pump. Install per valve manufacturer's instructions.


**IMPORTANT** - Drill a 1/8" (3.2mm) relief hole in the discharge line approximately 2" (51 mm) above the pump discharge connection but below the check valve and within the sump. This "relief" hole allows trapped air to escape from the pump and prevents air-locking the pump. Failure to drill this hole is a major cause of sump pumps failing to pump after long periods of inactivity such as seasonal use. Model ST is self-venting - no hole is required.

## 4. INSTALLATION IN SUMP

- 4.1. The pump can be placed directly on the bottom of a poly or fiberglass sump basin or a concrete sump bottom. If the bottom is packed gravel the stones must be larger than 1/2" (13mm) in diameter and the pump should be placed on bricks for support.
- 4.2. After connecting the discharge pipe to the pump it can be lowered into the sump (basin). Always lower the pump by the handle and the pipe, never by the power cord. Place the pump against the basin wall so the switch is to the center. See "*Installation Data*".

- 4.3. Check to insure all piping connections are tight. The pipes should be supported by fastening to floor joists or wall. This will prevent the pump from moving in the sump. If it moves the switch could get stuck and either keep the pump running or not let it turn on.
- 4.4. The power to the outlet should be Off at this point. The dedicated outlet should supply power only to the pump.
- 4.5. Our sump pumps have either a single power cord for pumps with built-in switches or two power cords for pumps with piggyback switches:  
*Built-In/Single Cord* - plug the single power cord into a dedicated power outlet.  
*Piggyback/Two Power Cords* - insert the piggyback switch male plug into a dedicated power outlet. You then plug the standard male pump plug into the back, female side, of the piggyback switch plug.
- 4.6. Fasten the power cords to the discharge pipes using tie wraps or electrical tape. Coil and store any excess power cord outside the sump.

## 5. OPERATION

- 5.1. Turn the power On at the breaker panel and/or the disconnect switch.
- 5.2. Fill the basin with water and observe where the pump turns On and Off. It should go On well before the water overflows the top of the sump. The pump should go Off before the water goes below the pump suction. The On-Off cycle on models with wide-angle float switches is adjustable. Adjustment is made by changing the tether length between the switch body and the switch tether (pivot) point. The tether length cannot be less than 3" – 3.5". Tethers less than 3" may not allow the float to drop down enough to turn off. See "Installation Data".
- 5.3.  **WARNING** Install a cover on the sump basin if there is a danger of debris, children, or pets falling into the basin. See Basin "Style" in Section 2.3.

## 6. SEASONAL SERVICE / MAINTENANCE

- 6.1. If your sump pump only operates seasonally and then sits idle for months it is recom-

mended that you test the pump before your rainy season begins. Fill the sump with water and check for debris and proper switch operation. Remove any debris which could clog the suction strainer or jam the switch. Insure that the switch operates freely and does not hit the sump wall or hang-up on piping or power cords.

## 7. OPTIONS

- 7.1. Your pump supplier has a full line of basins, covers, high water alarms, and battery back-up pump systems available to complete your system. We also sell simplex and duplex pump control panels. A duplex system is recommended when the inflow is constant and the pumps run almost continuously. The duplex system provides a back-up pump in the event the primary pump fails.

## 8. TROUBLE SHOOTING CHART

Extreme caution should be exercised when servicing electrical devices. Fatal injuries could result from electrical shock. Always disconnect the electrical power from the device being serviced unless it is necessary for the work being done.

### MOTOR NOT RUNNING

(See causes 1, 2, 3, 4, 6, 8)

### LITTLE OR NO LIQUID DELIVERED

(See causes 5, 6, 7, 8, 10)

### PUMP WILL NOT TURN OFF

(See causes 7, 8, 9, 10, 13)

### PUMP CYCLES CONSTANTLY

(See causes 9, 11, 12, 13)

### PROBABLE CAUSES:

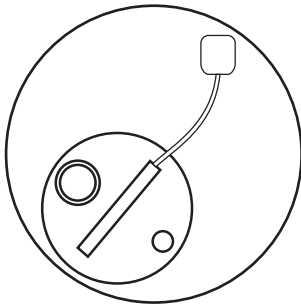
1. Tripped thermal protector.
2. Open Circuit breaker of blown fuse.
3. Rotating parts binding.
4. Defective motor.
5. Air locked.
6. Low voltage.
7. System head too high.
8. Pump clogged.
9. Level control defective or switch not properly positioned.
10. Improper check valve direction.
11. Check valve leaking.
12. Incorrect size basin or wet-well.
13. Inflow excessive for size of pump.

## MODEL INFORMATION (CHART 1)

Series No.	HP	Volts	Amps	Minimum Circuit Breaker	Phase	Float Switch Style	Cord Length	Discharge Connection	Min. On Level	Min. Off Level	Minimum Basin Diameter	Maximum Solids Size	Shipping Weight lbs/kg
ST31	1/3	115	12.0	20	1	Vertical Switch	10'	1 1/2"	8"	3.5"	11"	1/2"	29 / 13.2
						Wide Angle Switch			14"	7"	18"		
						No Switch			Manual	Manual	11"		
LSP03	1/3	115	2.9	10	1	No Switch	10' / 20'	1 1/2"	Manual	Manual	9"	3/8"	11 / 5
						Wide Angle Switch			11"	5"	12"		
						Vertical Switch			8.5"	2"			
LSP07	3/4	115	7.1	10	1	No Switch	20'	1 1/2"	Manual	Manual	9"	3/8"	15 / 6.8
		230	3.5			Wide Angle Switch			12.5"	6.5"	12"		
SPO24	1/4	115	2.4	10	1	Vertical Switch	10'	1 1/4"	6"	3"	9"	3/8"	8 / 3.6
SPO25			1 1/2"										
SP035			1/3					3.0	No Switch	Manual	Manual		
SP28C	*	115	75 WATT	10	1	Plug / Comp. Controlled	8'	1 1/2"	1"	5/8"	9"	1/16"	10 / 4.5

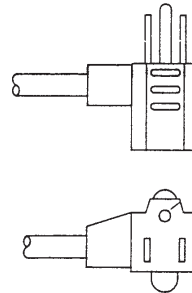
\* This is a D.C. motor. It starts every 1 minute looking for a load. If there is water in the basin it will pump down to 5/8" and shut-off. There is no HP rating.

## INSTALLATION DATA



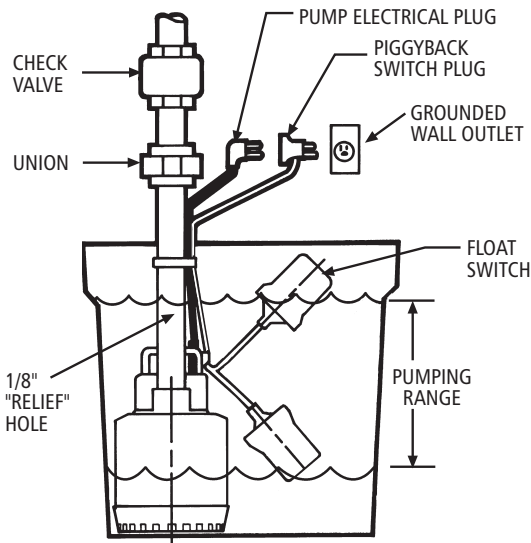
**Suggested Pump Positioning in Sump**

*Figure 1*



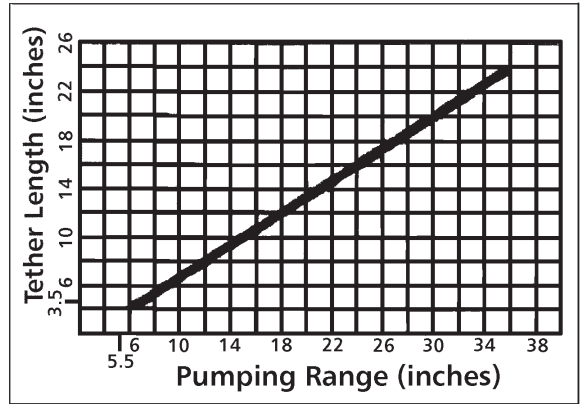
**Piggyback Plug**

*Figure 2*



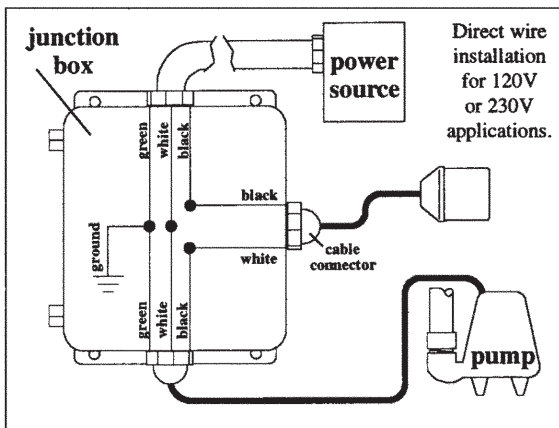
Typical Pump Installation in Sump

Figure 3



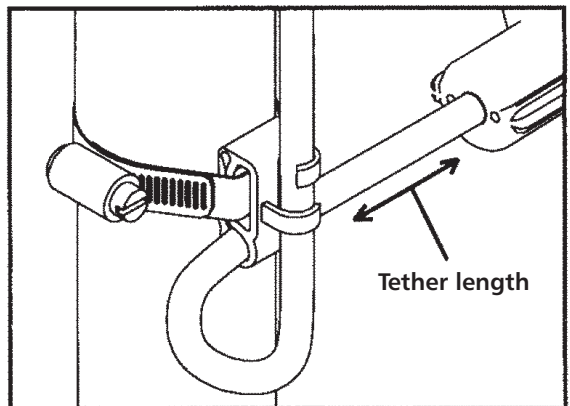
Tether Length vs. Pumping Range Curve

Figure 5



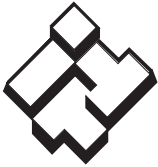
Pumpmaster and Pumpmaster Plus Hard Wired

Figure 4



Wide Angle Float Mounting Strap

Figure 6



# ITT

## Wastewater

### GOULDS PUMPS LIMITED WARRANTY

This warranty applies to all water systems pumps manufactured by Goulds Pumps.

Any part or parts found to be defective within the warranty period shall be replaced at no charge to the dealer during the warranty period. The warranty period shall exist for a period of twelve (12) months from date of installation or eighteen (18) months from date of manufacture, whichever period is shorter.

A dealer who believes that a warranty claim exists must contact the authorized Goulds Pumps distributor from whom the pump was purchased and furnish complete details regarding the claim. The distributor is authorized to adjust any warranty claims utilizing the Goulds Pumps Customer Service Department.

**The warranty excludes:**

- (a) Labor, transportation and related costs incurred by the dealer;
- (b) Reinstallation costs of repaired equipment;
- (c) Reinstallation costs of replacement equipment;
- (d) Consequential damages of any kind; and,
- (e) Reimbursement for loss caused by interruption of service.

**For purposes of this warranty, the following terms have these definitions:**

- (1) "Distributor" means any individual, partnership, corporation, association, or other legal relationship that stands between Goulds Pumps and the dealer in purchases, consignments or contracts for sale of the subject pumps.
- (2) "Dealer" means any individual, partnership, corporation, association, or other legal relationship which engages in the business of selling or leasing pumps to customers.
- (3) "Customer" means any entity who buys or leases the subject pumps from a dealer. The "customer" may mean an individual, partnership, corporation, limited liability company, association or other legal entity which may engage in any type of business.

**THIS WARRANTY EXTENDS TO THE DEALER ONLY.**



## GOULDS PUMPS

Goulds Pumps and the ITT Engineered Blocks Symbol are registered trademarks and tradenames of ITT Industries Inc.

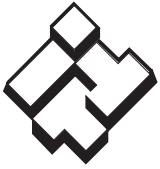
Teflon is a registered trademark of Dupont.

SPECIFICATIONS ARE SUBJECT TO CHANGE WITHOUT NOTICE.

**IM105R02 February, 2006**

© 2006 ITT Water Technology, Inc.

*Engineered for life*



# ITT

Agua Residual

## Goulds Pumps

Bombas para sumideros

Manual de Instalación  
y Operación



Goulds Pumps son una marca de fábrica de ITT Water Technology, Inc. - un subsidiario de ITT Industries, inc.

[www.goulds.com](http://www.goulds.com)

*Engineered for life*



**PARA EVITAR LESIONES PERSONALES GRAVES O AÚN FATALES O SERIOS DAÑOS MATERIALES, LEA Y SIGA TODAS LAS INSTRUCCIONES DE SEGURIDAD EN EL MANUAL Y EN LA BOMBA.**



Éste es un **SÍMBOLO DE ALERTA DE SEGURIDAD**. Cuando vea este símbolo en la bomba o en el manual, busque una de las siguientes palabras de señal y esté alerta a la probabilidad de lesiones personales o daños materiales.



Advierte los peligros que **CAUSARÁN** graves lesiones personales, la muerte o daños materiales mayores.



Advierte los peligros que **PUEDEN** causar graves lesiones personales, la muerte o daños materiales mayores.



Advierte los peligros que **PUEDEN** causar lesiones personales o daños materiales.

**AVISO:** Indica instrucciones especiales que son muy importantes y que se deben seguir.

**ESTE MANUAL DEBE MANTENERSE CON LA BOMBA.**

**MANTENGA TODAS LAS ETIQUETAS DE SEGURIDAD.**

## INFORMACIÓN IMPORTANTE DE PREINSTALACIÓN



Todo el trabajo eléctrico debe ser realizado por un técnico calificado. Siempre siga el Código Eléctrico de EE.UU. (NEC) o el Código Eléctrico Canadiense, además de todos los códigos locales, estatales y provinciales.



La bomba debe conectarse a un circuito eléctrico dedicado protegido con un cortacircuitos o fusible del tamaño apropiado. Instale un desconectador cuando el código así lo requiera. Las preguntas acerca del código deben ser dirigidas al inspector eléctrico. *Ver la Tabla 1 para obtener información específica.*



Desconecte la corriente eléctrica antes de instalar o dar servicio a la bomba. La protección automática contra la sobrecarga térmica del motor podría permitir que una bomba recalentada arranque inesperadamente.



La bomba no está diseñada para usarse en albercas, masas abiertas de agua, líquidos peligrosos o donde existan gases inflamables.



Las bombas y flotadores equipados con un enchufe de 3 clavijas conectado a tierra deben enchufarse a un receptáculo trifilar. No conecte a extensiones o conectores sin un enchufe de 3 clavijas conectado a tierra. Se permite quitar el enchufe del cable de alimentación, siempre que un técnico calificado haga el cableado directo de acuerdo con el código. Si se quita el enchufe, no se anulará la garantía ni la aprobación de la agencia.

## 1. INFORMACIÓN GENERAL

- 1.1. Las bombas para sumidero están diseñadas para funcionar intermitentemente y habitualmente por temporadas. Se recomienda que pruebe la bomba antes del comienzo de la estación lluviosa para asegurar que la bomba y el interruptor estén funcionando correctamente.
- 1.2. Sugerimos instalar un sistema de alarma por alto nivel de agua y un sistema de bomba de reserva a batería para sótanos habitables o áreas donde la inundación podría causar daños materiales. Un generador de reserva es otra opción que puede consultar con el instalador de la bomba. La mayoría de los cortes eléctricos ocurren durante temporales de lluvia, justo cuando necesita más su bomba para sumidero. Las garantías del fabricante de la bomba sólo cubren la bomba. La mano de obra y los daños y perjuicios imprevistos, tales como inundaciones, no están cubiertos.

## 2. VERIFICACIONES PRELIMINARES A LA INSTALACIÓN

- 2.1. Abra todas las cajas e inspeccione el equipo para determinar si se ocasionaron daños durante el envío. Notifique cualquier daño a su proveedor de inmediato.
- 2.2. Verifique que todo el equipo sea de la tensión correcta. La garantía no cubre daños causados por conectar bombas y controles a la tensión incorrecta.
- 2.3. ¿Es el estanque del sumidero del tamaño y tipo correctos para la ubicación?

*Diámetro* – debe ser suficientemente ancho para permitir introducir la bomba y el interruptor y además dejar espacio para operar libremente el interruptor. Los modelos de interruptor vertical típicamente requieren menos diámetro que los modelos anchos de flotador angular. *Consulte el “diámetro mín. del estanque” en la Tabla 1.*

**PRECAUCIÓN** *Profundidad* – Debe ser más profundo que la profundidad mínima a la cual el interruptor enciende la bomba. Por ejemplo, si la bomba se enciende a 15 pulgadas, el estanque debe ser de más de 15 pulg. de profundidad. *Consulte el “Nivel de encendido” en la Tabla 1.*

**ADVERTENCIA** *Estilo* - Hay varios estilos de estanque de sumidero disponibles. La ubicación del sumidero determina si se requiere una cubierta y de qué tipo. Es importante impedir la entrada de residuos al sumidero ya que podrían obstruir la bomba. Un sumidero abierto en un área de mucho tráfico como un sótano es peligroso. Si el área es frecuentada por niños o animales domésticos, se recomienda una cubierta empennada o a prueba de niños.

## 3. TUBERÍAS

- 3.1. La tubería de descarga debe ser del mismo tamaño que la descarga de la bomba para asegurar un rendimiento óptimo. Si se utiliza una tubería de tamaño insuficiente, podría reducirse marcadamente el flujo y, por lo tanto, derrocharse energía. El proveedor de la bomba puede sugerir la tubería correcta para su instalación.
- 3.2. Instale un adaptador roscado, que corresponda con el tipo de tubería que está utilizando, en la descarga roscada de la bomba. Un extremo tendrá una rosca macho y el otro extremo tendrá un conector tipo arpón, un accesorio tipo compresión o un conector tipo soldadura con solvente. Utilice cinta de Teflon® en todas las uniones roscadas. Si está utilizando accesorios y tubería soldados con solvente, es mejor ajustarlos al seco primero y verificar el ajuste antes de soldar. Una unión instalada justo arriba de la cubierta del sumidero o estanque facilitará el mantenimiento y reemplazo futuros. *Consulte la Tabla 1 con respecto a los tamaños de descarga.*
- 3.3. Instale una válvula de retención de línea a menos de 2 pies de la bomba. Instale de acuerdo con las instrucciones del fabricante de la válvula.

**IMPORTANTE** – Perfore un orificio de alivio de 1/8 pulg. (3.2 mm) en la línea de descarga a aproximadamente 2 pulg. (51 mm) sobre la conexión de descarga de la bomba, pero debajo de la válvula de retención y dentro del sumidero. Este orificio de “alivio” permite que el aire atrapado escape de la bomba e impide que la bomba se bloquee con aire. La no perforación de este orificio es una de las

causas principales por las cuales las bombas de sumidero no bombean después de largos períodos de inactividad, tal como el uso por temporada. El ST del modelo es uno mismo-expresio'n - no se requiere ningún agujero.

#### 4. INSTALACIÓN EN EL SUMIDERO


- 4.1. La bomba puede colocarse directamente en el fondo de un estanque de sumidero de polietileno o fibra de vidrio, o en el fondo de un sumidero de concreto. Si el fondo es de grava compactada, la grava debe ser de más de ½ pulg. (13 mm) de diámetro y la bomba debe colocarse sobre un soporte de ladrillos.
- 4.2. Después de conectar la tubería de descarga a la bomba, ésta puede ser bajada al interior del sumidero (estanque). Siempre sujete la bomba de la manija y la tubería al bajarla, y nunca del cable de alimentación. Coloque la bomba contra la pared del estanque, de manera que el interruptor esté en el centro. *Consulte los "Datos de instalación".*
- 4.3. Inspeccione para asegurar que todas las conexiones de tubería estén apretadas. Las tuberías deben apoyarse afianzándolas a las vigas del piso o a la pared. Esto impedirá que la bomba se mueva en el sumidero. Si se mueve, podría atascarse el interruptor y ya sea mantener a la bomba funcionando o no dejar que se encienda.
- 4.4. Por ahora, la corriente a la salida debe estar apagada. La salida dedicada debe suministrar electricidad a la bomba únicamente.
- 4.5. Nuestras bombas para sumidero tienen ya sea un solo cable de alimentación para bombas con interruptores incorporados o dos cables de alimentación con interruptores en tándem.

*Interruptores incorporados / un solo cable* – enchufe el cable de alimentación único a una salida de corriente dedicada.

*Interruptores en tándem / cables de alimentación* – introduzca el enchufe macho de los interruptores en tándem en una salida de corriente dedicada. Luego conecte el enchufe macho estándar de la bomba a la parte trasera, lado hembra, del enchufe de los interruptores en tándem.

- 4.6. Afiance los cables de alimentación a las tuberías de descarga con amarras o cinta aislante. Enrolle y guarde el exceso de cable de alimentación fuera del sumidero.

#### 5. OPERACIÓN

- 5.1. Encienda la corriente en el panel de cortacircuitos y/o interruptor desconexión.
- 5.2. Llene el estanque con agua y observe dónde la bomba se enciende y se apaga. Debe encenderse mucho antes que el agua rebase el sumidero. La bomba debe apagarse antes de que el nivel de agua llegue por debajo de la succión de la bomba. El ciclo de encendido – apagado en los modelos con flotador de ángulo ancho es ajustable. El ajuste se realiza cambiando el largo de la traba entre el cuerpo del interruptor y el punto de traba (pivote) del interruptor. El largo de la traba no puede ser de menos de 3 a 3.5 pulg. Las trabas de menos de 3 pulg. podrían no permitir que el flotador baje lo suficiente para apagar la bomba. *Consulte los "Datos de instalación".*
- 5.3.  **ADVERTENCIA** Instale una cubierta sobre el estanque del sumidero si pudiesen caer residuos o si fuese peligroso para los niños o animales domésticos. *Consulte el "Estilo" del estanque en la Sección 2.3.*

#### 6. SERVICIO DE TEMPORADA / MANTENIMIENTO

- 6.1. Si la bomba para sumidero sólo funciona por temporada y luego permanece inactiva durante varios meses, se recomienda que pruebe la bomba antes del comienzo de la estación lluviosa. Llene el sumidero con agua, verifique que no haya residuos y que el interruptor esté funcionando correctamente. Quite cualquier residuo que pudiese obstruir el colador de succión o atascar el interruptor. Asegure que el interruptor funcione libremente y que no choque contra la pared del sumidero que se atasque en la tubería o en los cables de alimentación.

## 7. OPCIONES

7.1. El proveedor de la bomba tiene una línea completa de estanques, cubiertas, alarmas por alto nivel de agua y sistemas de bombas de reserva a batería disponibles. También vendemos paneles de control de bombas simples y dobles. Se recomienda un sistema doble cuando el flujo de entrada es constante y las bombas funcionan casi continuamente. El sistema doble proporciona una bomba de reserva en caso de falla de la bomba principal.

## 8. TABLA DE IDENTIFICACIÓN Y RESOLUCIÓN DE PROBLEMAS

---

Hay que ser extremadamente cauteloso cuando se dé servicio a dispositivos eléctricos. El electrochoque puede producir lesiones fatales. Siempre desconecte el suministro eléctrico del dispositivo que está recibiendo servicio, a menos que sea necesario para el trabajo que se está realizando.

### EL MOTOR NO ESTÁ FUNCIONANDO

(Ver las causas 1, 2, 3, 4, 6, 8)

### SE ENTREGA POCO O NADA DE LÍQUIDO

(Ver las causas 5, 6, 7, 8, 10)

### LA BOMBA NO SE APAGA

(Ver las causas 7, 8, 9, 10, 13)

### LA BOMBA CICLA CONSTANTEMENTE

(Ver las causas 9, 11, 12, 13)

### CAUSAS PROBABLES:

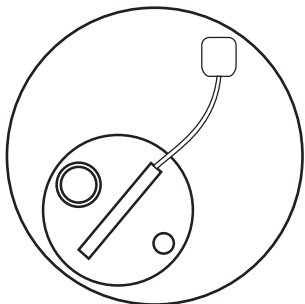
1. Protector térmico disparado.
2. Cortacircuitos abierto o fusible quemado.
3. Roce de las partes giratorias.
4. Motor defectuoso.
5. Bloqueo con aire.
6. Baja tensión.
7. Carga del sistema demasiado alta.
8. Bomba obstruida.
9. Control de nivel defectuoso o interruptor situado incorrectamente.
10. Dirección incorrecta de la válvula de retención.
11. Fuga de la válvula de retención.
12. Tamaño incorrecto del estanque o del pozo del sumidero.
13. Flujo de entrada excesivo para el tamaño de la bomba.

## INFORMACIÓN DEL MODELO (TABLA 1)

Nº. de orden	HP	Voltios	Amperios	Cortacircuitos mín.	Fase	Estilo de interruptor del flotador	Largo del cable	Conexión de descarga	Nivel mín. de encendido	Nivel mín. de apagado	Diám. mín. del estanque	Tamaño máx. de sólidos	Peso de envío Lbs/kg
ST31	1/3	115	12.0	20	1	Interr. vertical	10'	1 1/2"	8"	3.5"	11"	1/2"	29 / 13.2
						Interr. de ángulo ancho			14"	7"	18"		
						Sin interr.			Manual	Manual	11"		
LSP03	1/3	115	2.9	10	1	Sin interr.	10' / 20'	1 1/2"	Manual	Manual	9"	3/8"	11 / 5
						Interr. de ángulo ancho			11"	5"	12"		
						Interr. vertical			8.5"	2"			
LSP07	3/4	115	7.1	10	1	Sin interr.	20'	1 1/2"	Manual	Manual	9"	3/8"	15 / 6.8
		230	3.5			Interr. de ángulo ancho			12.5"	6.5"	12"		
SP024	1/4	115	2.4	10	1	Interr. vertical	10'	1 1/4"	6"	3"	9"	3/8"	8 / 3.6
SP025			3.0										
SP035	1/3		3.0			Sin interr.			Manual	Manual			
SP28C	*	115	75 vatios	10	1	Enchufe / control, por comput.	8'	1 1/2"	1"	5/8"	9"	1/16"	10 / 4.5

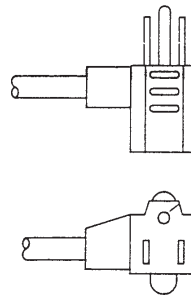
\* Éste es un motor de CC. Arranca cada minuto buscando una carga. Si hay agua en el estanque, bombeará hasta reducir el nivel a 5/8 y se apagará. No hay clasificación de potencia.

## DATOS DE INSTALACIÓN



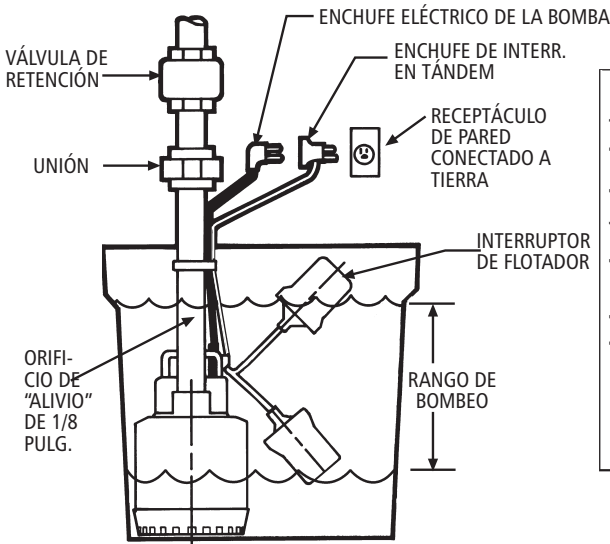
**Posicionamiento sugerido de la bomba en el sumidero**

*Figura 1*



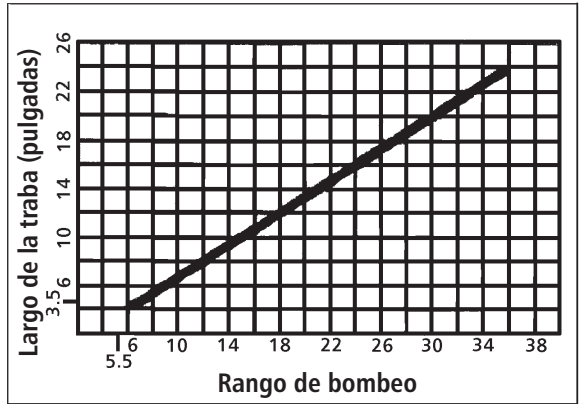
**Enchufe en tándem**

*Figura 2*



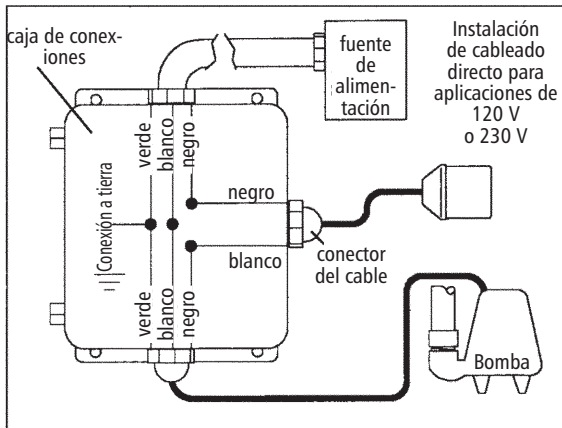
Instalación típica de la bomba en el sumidero

Figura 3



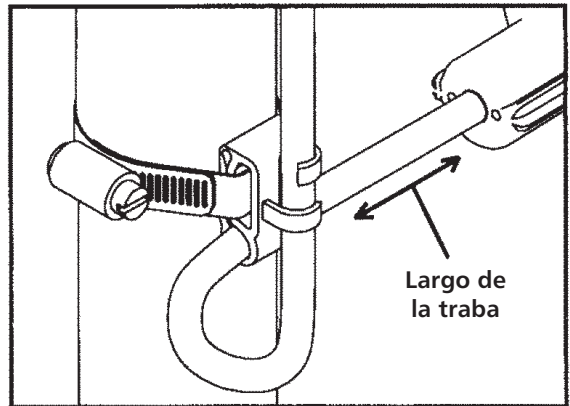
Curva del largo de la traba vs. rango de bombeo

Figura 5



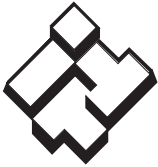
Pumpmaster y Pumpmaster Plus cableado directo

Figura 4



Correa de montaje del flotador de ángulo ancho

Figura 6



# ITT

## Agua Residual

### GARANTÍA LIMITADA DE GOULDS PUMPS

Esta garantía es aplicable a todas las bombas para sistemas de agua fabricadas por Goulds Pumps.

Toda parte o partes que resultaren defectuosas dentro del período de garantía serán reemplazadas durante dicho período de garantía sin cargo para el comerciante. Tal período de garantía se extiende por doce (12) meses a partir de la fecha de instalación, o dieciocho (18) meses a partir de la fecha de fabricación, la que se cumpla primero.

El comerciante que considere que existe lugar a un reclamo de garantía deberá ponerse en contacto con el distribuidor autorizado de Goulds Pumps del cual adquiriera la bomba y brindar información detallada con respecto al reclamo. El distribuidor está autorizado a liquidar todos los reclamos por garantía a través del Departamento de Servicios a Clientes de Goulds Pumps.

**La presente garantía excluye:**

- (a) La mano de obra, el transporte y los costos relacionados en los que incurra el comerciante;
- (b) los costos de reinstalación del equipo reparado;
- (c) los costos de reinstalación del equipo reemplazado;
- (d) daños emergentes de cualquier naturaleza; y
- (e) el reembolso de cualquier pérdida causada por la interrupción del servicio.

A los fines de esta garantía, los términos “Distribuidor”, “Comerciante” y “Cliente” se definen como sigue:

- (1) “Distribuidor” es aquel individuo, sociedad, corporación, asociación u otra entidad jurídica que opera entre Goulds Pumps y el comerciante para la compra, consignación o contratos de venta de las bombas en cuestión.
- (2) “Comerciante” es todo individuo, sociedad, corporación asociación u otra entidad jurídica que realiza negocios de venta o alquiler-venta (*leasing*) de bombas a los clientes.
- (3) “Cliente” es toda entidad que compra o adquiere bajo la modalidad de *leasing* las bombas en cuestión de un comerciante. El término “cliente” puede significar un individuo, sociedad, corporación, sociedad de responsabilidad limitada, asociación o cualquier otra entidad jurídica con actividades en cualquier tipo de negocios.

**LA PRESENTE GARANTÍA SE EXTIENDE AL COMERCIANTE ÚNICAMENTE.**



## GOULDS PUMPS

Goulds Pumps y el símbolo ITT Engineered Blocks son marcas registradas y marcas comerciales de ITT Industries.

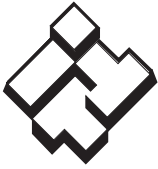
Teflon es una marca registrada de Dupont.

LAS ESPECIFICACIONES ESTÁN SUJETAS A CAMBIO SIN PREVIO AVISO.

**IM105R02 Febrero, 2006**

© 2006 ITT Water Technology, Inc.

*Engineered for life*



# ITT

Eaux usées

## Goulds Pumps

Pompes de puisard

Manuel d'installation  
et d'utilisation



## GOULDS PUMPS

Goulds Pumps est une marque d'ITT Water  
Technology, Inc., une filiale d'ITT Industries, Inc.

[www.goulds.com](http://www.goulds.com)

*Engineered for life*



**AFIN DE PRÉVENIR LES BLESSURES GRAVES OU MORTELLES ET LES DOMMAGES MATÉRIELS IMPORTANTS, LIRE ET SUIVRE TOUTES LES CONSIGNES DE SÉCURITÉ FIGURANT DANS LE MANUEL ET SUR LA POMPE.**



Le symbole ci-contre est un **SYMBOLE DE SÉCURITÉ** employé pour signaler sur la pompe et dans le manuel les mots-indicateurs dont on trouvera la description ci-dessous. Sa présence sert à attirer l'attention afin d'éviter les blessures et les dommages matériels.



Prévient des risques qui **VONT** causer des blessures graves, la mort ou des dommages matériels importants.



Prévient des risques qui **PEUVENT** causer des blessures graves, la mort ou des dommages matériels importants.



Prévient des risques qui **PEUVENT** causer des blessures ou des dommages matériels.

**AVIS :** Sert à énoncer les directives spéciales de grande importance que l'on doit suivre.

**LE PRÉSENT MANUEL DOIT ÊTRE CONSERVÉ PRÈS DE LA POMPE.**

**N'ENLEVER AUCUNE DÉCALCOMANIE DE SÉCURITÉ.**

## INFORMATIONS IMPORTANTES À LIRE AVANT L'INSTALLATION



L'installation électrique doit être entièrement effectuée par un technicien qualifié. Il faut toujours suivre les prescriptions du code provincial ou national de l'électricité.



On doit brancher la pompe à un circuit électrique indépendant protégé par un disjoncteur ou des fusibles de calibre approprié. Poser un sectionneur si le code de l'électricité l'exige. Adresser toute question relative au code à un inspecteur en électricité. *Voir les informations sur les modèles dans la table 1.*



Couper l'alimentation électrique de la pompe avant de procéder à l'installation ou à l'entretien de celle-ci. Le protecteur thermique du moteur arrête automatiquement celui-ci en cas de surchauffe et le redémarre de façon imprévue quand il a refroidi.



La pompe n'est pas conçue pour les piscines, l'eau libre, les liquides dangereux ni les endroits pouvant contenir des gaz inflammables.



Les contacteurs à flotteur et les pompes munis d'une fiche à trois broches (avec mise à la terre) doivent être branchés sur une prise à trois fils. Ne pas les brancher à une rallonge électrique ni à une prise sans une fiche à trois broches (avec mise à la terre). On peut enlever la fiche du cordon d'alimentation et utiliser un raccordement fixe à condition que celui-ci soit fait par un technicien qualifié conformément au code de l'électricité. L'enlèvement de la fiche n'annulera pas la garantie ni l'enregistrement auprès des organismes de normalisation pertinents.

## 1. INFORMATIONS GÉNÉRALES

- 1.1. Les pompes de puisard sont conçues pour un usage intermittent, généralement saisonnier. Il est recommandé d'essayer la pompe avant la fonte des neiges et le début des pluies printanières pour s'assurer de son bon fonctionnement et de celui du contacteur.
- 1.2. La pose d'un avertisseur de haut niveau d'eau et d'un système de pompage de réserve à batterie est suggérée dans tout endroit ou sous-sol aménagé où une inondation causerait des dommages matériels. Discuter de l'utilisation d'une génératrice de secours avec l'installateur de la pompe. La plupart des pannes de courant ont lieu pendant les pluies torrentielles, quand on a le plus besoin de la pompe ! Les garanties des fabricants de pompes ne couvrent que les pompes, pas les frais de main-d'œuvre ni les dommages accessoires dus aux inondations.

## 2. VÉRIFICATIONS AVANT INSTALLATION

- 2.1. Ouvrir tous les cartons et vérifier si le matériel est endommagé. Signaler immédiatement tout dommage au fournisseur.
- 2.2. Vérifier si la tension d'alimentation est appropriée pour tout le matériel. La garantie ne couvre pas les pompes ni les commandes endommagées par une mauvaise tension d'alimentation.
- 2.3. Vérifier si la cuve est de la dimension et du type appropriés :

*Diamètre de cuve* — il doit être suffisant pour permettre la pose de la pompe et le libre mouvement de son contacteur. Les contacteurs verticaux requièrent moins d'espace que les contacteurs à grand déplacement angulaire. *Voir le diamètre de cuve minimal dans la table 1.*

**ATTENTION** *Profondeur de cuve* — elle doit être supérieure au niveau de démarrage minimal de la pompe. Par exemple, si ce niveau est de 15 po, employer une cuve d'une profondeur de plus de 15 po. *Voir le niveau de démarrage minimal dans la table 1.*

**AVERTISSEMENT** *Type de cuve* — il existe divers types de cuves. Selon l'emplacement du puisard, un couvercle peut être

nécessaire pour empêcher débris et objets de tomber dans le puisard et d'engorger la pompe. Un puisard ouvert situé dans un sous-sol ou autre endroit passants représente un danger pour les enfants et les animaux de compagnie. La pose d'un couvercle bouclonné ou à l'épreuve des enfants est alors recommandée.

## 3. TUYAUTERIE


- 3.1. Le tuyau et l'orifice de refoulement de la pompe devraient avoir le même calibre pour permettre des performances optimales. Un tuyau de calibre moindre pourrait réduire le débit de la pompe de beaucoup et causer ainsi une perte d'énergie. Le fournisseur de pompes peut suggérer le calibre de tuyau convenant à l'installation.
- 3.2. Visser à l'orifice de refoulement de la pompe un raccord-adaptateur de tuyau convenant au type de tuyau employé. Le raccord est du type à barbillons, à compression ou à coller au solvant à une extrémité et à filetage extérieur à l'autre extrémité. Utiliser du ruban de Téflon<sup>MD</sup> sur chaque joint fileté. Si l'on utilise un tuyau et un raccord à coller au solvant, il vaut mieux en vérifier l'ajustement avant de les coller. Un raccord union posé juste au-dessus du puisard ou du couvercle de la cuve facilitera l'entretien et l'enlèvement de la pompe. *Voir le diamètre de raccord de refoulement dans la table 1.*
- 3.3. Poser un clapet de non-retour sur le tuyau de refoulement, à moins de 2 pi de la pompe, suivant les directives du fabricant du clapet.

**IMPORTANT** : afin de prévenir l'accumulation de poches d'air dans la pompe, percer un trou-purgeur d'air de 3,2 mm (1/8 po) de diamètre dans le tuyau de refoulement à environ 51 mm (2 po) au-dessus du raccord de refoulement de la pompe, en amont du clapet de non-retour, mais à l'intérieur du puisard. L'absence du trou-purgeur d'air est la principale cause de l'accumulation d'air dans la pompe et, ainsi, du débit de pompage trop faible après les longues périodes d'arrêt saisonnières. Modèle ST est art de l'auto-portrait-venting - aucun trou n'est exigé.

## 4. INSTALLATION DANS LE PUISARD

- 4.1. On peut placer la pompe directement au fond d'une cuve en polyéthylène ou en fibre de verre ou d'un puisard en béton. Si le fond est en gravier compacté, la grosseur du gravier doit dépasser 13 mm (½ po), et l'on doit utiliser des briques comme assise pour la pompe.
- 4.2. Une fois le tuyau de refoulement raccordé à la pompe, on peut poser celle-ci dans le puisard (ou la cuve) en la saisissant par la poignée et le tuyau, mais jamais par le cordon d'alimentation. La placer contre la paroi du puisard, le contacteur orienté vers le centre du puisard. Voir les « *Données sur l'installation* ».
- 4.3. Vérifier si tous les joints sont étanches. La tuyauterie devrait être fixée aux solives de plancher et aux murs avec des attaches pour immobiliser la pompe dans le puisard. Si la pompe bougeait, le contacteur pourrait rester coincé et empêcher la pompe d'arrêter ou de démarrer.
- 4.4. L'alimentation de la prise de courant réservée devrait être coupée à cette étape-ci. La prise devrait alimenter seulement la pompe.
- 4.5. Les pompes à contacteur intégré sont munies d'un seul cordon d'alimentation, et les pompes à contacteur à fiche-prise, de deux cordons.  
*Pompe à contacteur intégré, à cordon simple* — brancher la fiche sur la prise de courant réservée.  
*Pompe à contacteur à fiche-prise, à cordon double* — brancher la fiche-prise du contacteur sur la prise de courant réservée, puis la fiche de la pompe sur la fiche-prise.
- 4.6. Après avoir enroulé et accroché la longueur excédentaire du (ou des) cordon d'alimentation hors du puisard, fixer le (ou les) cordon d'alimentation au tuyau de refoulement avec des attaches autobloquantes (*tie wraps*) ou du ruban isolant.

## 5. UTILISATION

- 5.1. Rétablir le courant au panneau de disjoncteurs ou au sectionneur, ou aux deux si c'est le cas.
- 5.2. Remplir le puisard (ou la cuve) d'eau et noter le niveau de l'eau quand la pompe démarre et arrête. La pompe devrait démarrer bien avant que le puisard déborde et s'arrêter avant que le niveau de l'eau atteigne l'orifice d'aspiration. On peut régler les cycles de marche et d'arrêt des pompes à contacteur à flotteur en changeant la longueur du câble du contacteur. Celle-ci ne doit pas être inférieure à 3 po (ou 3,5 po), car le flotteur pourrait ne pas baisser suffisamment pour arrêter la pompe. Voir les « *Données sur l'installation* ».
- 5.3.  Poser un couvercle sur le puisard ou la cuve si les enfants, les animaux de compagnie et les débris risquent d'y tomber. Voir « *Type de cuve* », à 2.3.

## 6. ENTRETIEN SAISONNIER

- 6.1. Si la pompe n'a qu'un usage saisonnier et ne sert donc pas des mois durant, il est recommandé de l'essayer avant la fonte des neiges et le début des pluies printanières : remplir le puisard, enlever les débris, qui pourraient engorger la crépine d'aspiration ou bloquer le contacteur, puis vérifier le bon fonctionnement de ce dernier. S'assurer que celui-ci peut bouger librement, qu'il ne touche pas à la paroi du puisard et qu'il ne peut rester accroché à la tuyauterie ni au(x) cordon(s) d'alimentation.

## 7. PRODUITS EN OPTION

- 7.1. Le fournisseur de pompes offre une gamme complète de produits : cuves, couvercles, avertisseurs de haut niveau d'eau et systèmes de pompage de réserve à batterie. Goulds vend en outre des tableaux de commande pour système à pompe simple ou double. Un système à pompe double est recommandé quand le débit entrant est constant et que la pompe fonctionne presque sans arrêt, car la pompe de réserve se mettrait en marche si la pompe principale tombait en panne.

## **8. DIAGNOSTIC DES ANOMALIES**

---

On doit prendre des précautions extrêmes quand on effectue l'entretien d'un appareil électrique. Les chocs électriques peuvent être mortels. On doit toujours débrancher l'appareil avant de procéder à son entretien, sauf si la tâche en question requiert l'utilisation de courant.

### **ANOMALIE**

#### **NON-FONCTIONNEMENT DU MOTEUR**

(V. causes probables 1, 2, 3, 4, 6 et 8)

#### **DÉBIT DE REFOULEMENT FAIBLE OU NUL**

(V. causes probables 5, 6, 7, 8 et 10)

#### **FONCTIONNEMENT SANS ARRÊT DE LA POMPE**

(V. causes probables 7, 8, 9, 10 et 13)

#### **RÉPÉTITION SANS ARRÊT DU CYCLE DE FONCTIONNEMENT**

(V. causes probables 9, 11, 12 et 13)

### **CAUSES PROBABLES**

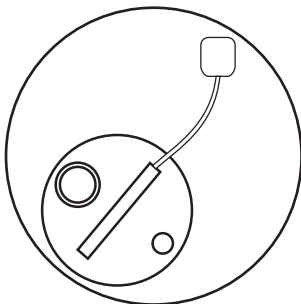
1. Protecteur thermique déclenché
2. Disjoncteur ouvert ou fusible sauté
3. Pièces mobiles grippées
4. Moteur défectueux
5. Poche d'air dans la pompe
6. Basse tension électrique
7. Hauteur de charge trop élevée du système
8. Pompe obstruée
9. Régulateur de niveau défectueux ou contacteur à flotteur mal placé
10. Clapet de non-retour posé à l'envers
11. Fuite du clapet de non-retour
12. Puisard, cuve ou fosse humide de dimensions inappropriées
13. Débit entrant supérieur au débit de refoulement

**TABLE 1 — INFORMATIONS SUR LES MODÈLES**

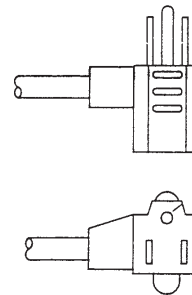
N° de catal.	hp	V	A	Calibre (A) min. du disjonct.	∅	Type de contact. à flotteur	Long. du cordon (pi)	Diam. de raccord de refoul. (po)	Niv. de démarr. min. (po)	Niv. d'arrêt min. (po)	Diam. de cuve min. (po)	Grosseur max. des solides (po)	Poids à l'expéd. (lb/kg)
ST31	1/3	115	12,0	20	1	Vertical	10	1 1/2	8	3,5	11	1/2	29/13,2
						À déplacem. angul.			14	7	18		
						Aucun contacteur			Manuel	Manuel	11		
LSP03	1/3	115	2,9	10	1	Aucun contacteur	10 ou 20	1 1/2	Manuel	Manuel	9	3/8	11/5
						À déplacem. angul.			11	5			
						Vertical			8,5	2	12		
LSP07	3/4	115	7,1	10	1	Aucun contacteur	20	1 1/2	Manuel	Manuel	9	3/8	15/6,8
		230	3,5			À déplacem. angul.			12,5	6,5	12		
SP024	1/4	115	2,4	10	1	Vertical	10	1 1/4	6	3	9	3/8	8/3,6
SP025			3,0					1 1/2					
SP035	1/3					Aucun contacteur			Manuel	Manuel			
SP28C	*	115	75 W	10	1	Autocommande par ordinateur	8	1 1/2	1	5/8	9	1/16	10/4,5

\* Cette pompe, alimentée en courant continu, démarre à toutes les minutes à la recherche d'une charge. S'il y a de l'eau dans la cuve, elle la pompera jusqu'à ce que le niveau atteigne 5/8 po du fond, puis elle s'arrêtera. La puissance (hp) nominale n'est pas indiquée.

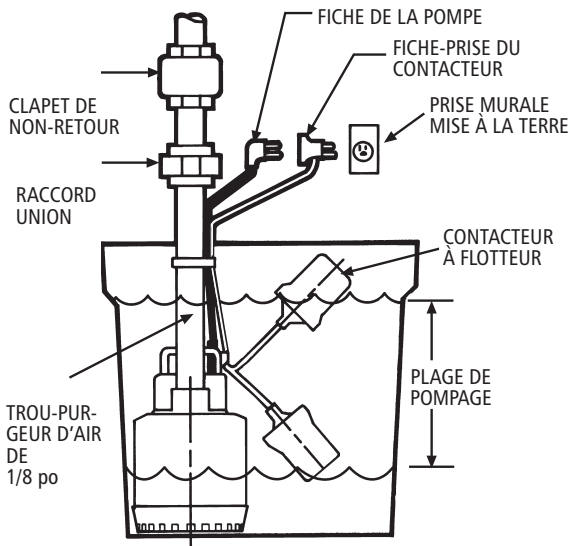
**DONNÉES SUR L'INSTALLATION**



**Position suggérée de la pompe dans le puisard**  
*Figure 1*

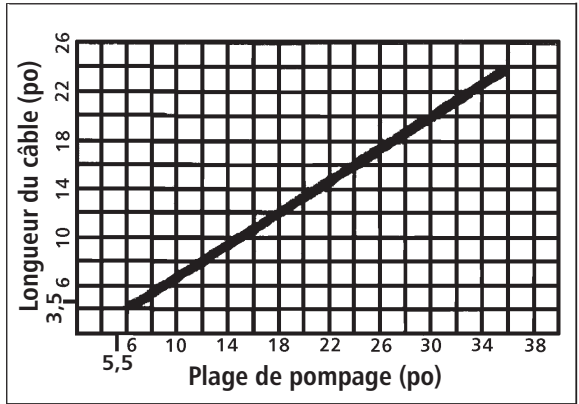


**Fiche-prise**  
*Figure 2*



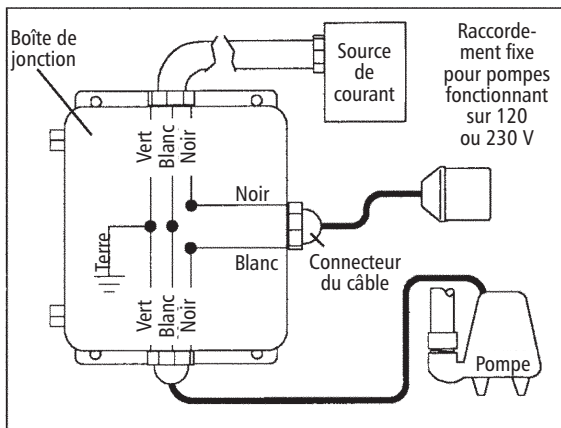
Installation type

Figure 3



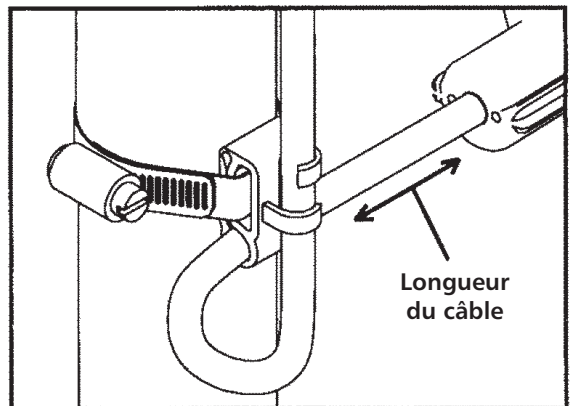
Courbe plage de pompage-longueur du câble

Figure 5



Raccordement fixe des contacteurs à flotteur Pumpmaster et Pumpmaster Plus

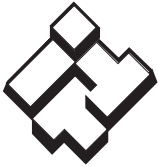
Figure 4



Fixation du contacteur à grand déplacement angulaire

Figure 6





# ITT

## Eaux usées

### GARANTIE LIMITÉE DE GOULDS PUMPS

La présente garantie s'applique à chaque pompe de système d'alimentation en eau fabriquée par Goulds Pumps.

Toute pièce se révélant défectueuse sera remplacée sans frais pour le détaillant durant la période de garantie suivante expirant la première : douze (12) mois à compter de la date d'installation ou dix-huit (18) mois à partir de la date de fabrication.

Le détaillant qui, aux termes de cette garantie, désire effectuer une demande de règlement doit s'adresser au distributeur Goulds Pumps agréé chez lequel la pompe a été achetée et fournir tous les détails à l'appui de sa demande. Le distributeur est autorisé à régler toute demande par le biais du service à la clientèle de Goulds Pumps.

**La garantie ne couvre pas :**

- a) les frais de main-d'œuvre ni de transport ni les frais connexes encourus par le détaillant ;
- b) les frais de réinstallation de l'équipement réparé ;
- c) les frais de réinstallation de l'équipement de remplacement ;
- d) les dommages indirects de quelque nature que ce soit ;
- e) ni les pertes découlant de la panne.

**Aux fins de la présente garantie, les termes ci-dessous sont définis comme suit :**

- 1) « Distributeur » signifie une personne, une société de personnes, une société de capitaux, une association ou autre entité juridique servant d'intermédiaire entre Goulds Pumps et le détaillant pour les achats, les consignations ou les contrats de vente des pompes en question.
- 2) « Détaillant » veut dire une personne, une société de personnes, une société de capitaux, une association ou autre entité juridique dont les activités commerciales sont la vente ou la location de pompes à des clients.
- 3) « Client » signifie une entité qui achète ou loue les pompes en question chez un détaillant. Le « client » peut être une personne, une société de personnes, une société de capitaux, une société à responsabilité limitée, une association ou autre entité juridique se livrant à quelque activité que ce soit.

**CETTE GARANTIE SE RAPPORTE AU DÉTAILLANT SEULEMENT.**



Goulds Pumps et le logo à blocs siglés ITT sont des marques déposées et de commerce d'ITT Industries.

Téflon est une marque déposée de Dupont.

LES CARACTÉRISTIQUES PEUVENT CHANGER SANS PRÉAVIS.

**IM105R02 Février, 2006**

© 2006 ITT Water Technology, Inc.

*Engineered for life*