



ITT

RJETPARTS

Residential Water Systems

Goulds Pumps

JET PUMP REPAIR PARTS



Goulds Pumps is a brand of ITT Corporation.

www.goulds.com

Engineered for life

Index

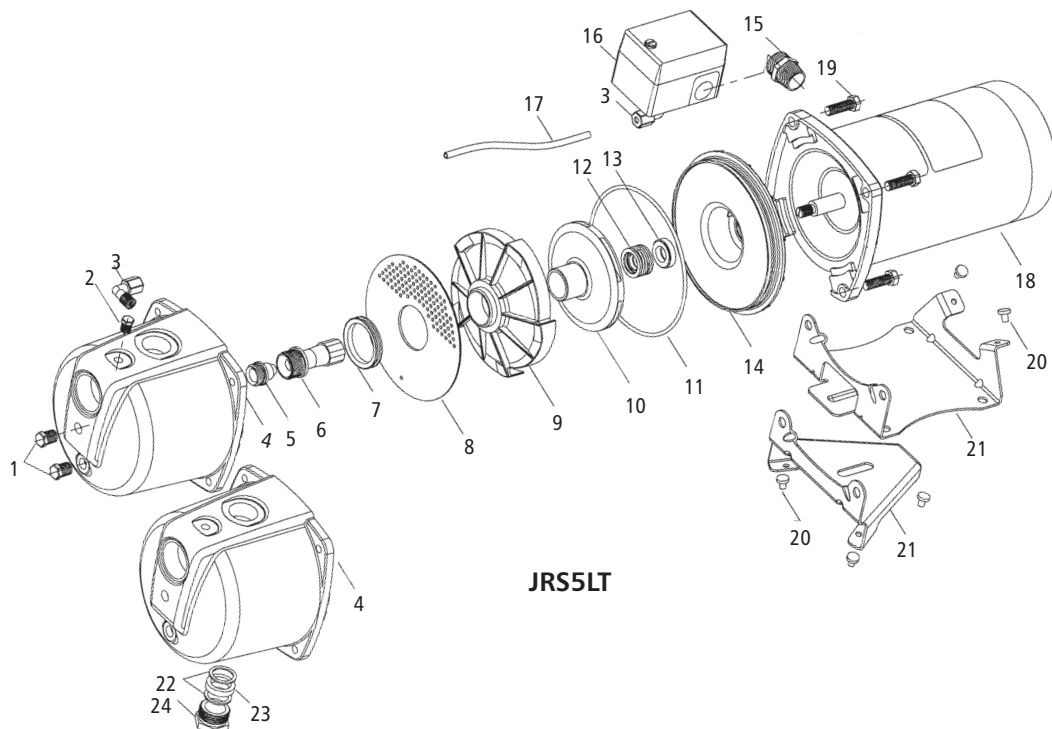
JETS

| | |
|---------------------|------------------------|
| JRS..... | 3 |
| JRD..... | 4 |
| JRSG..... | moved to obsolete book |
| J+ and JS+..... | 5 |
| JB..... | moved to obsolete book |
| HSJ..... | 6 |
| VJ..... | 7 |
| SJ..... | 8 |
| GT Irri-Gator™..... | 9 |
| BF03S..... | 10 |

The 10K2 has been replaced in production and as a repair part by the 10K10. The 10K10, John Crane Type 6, is a superior seal with a carbon rotary face, a ceramic stationary seat and BUNA N elastomers.

MODEL JRS

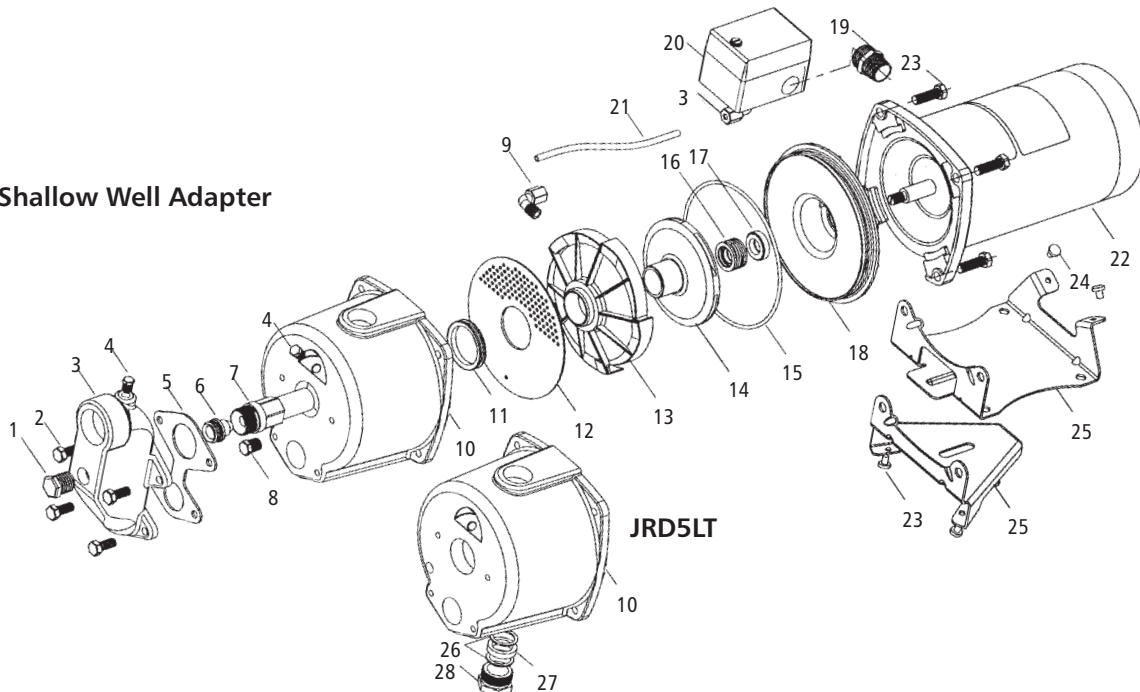
| Item No. | Part Description | Material | Repair Part No. | | | | |
|----------|--|-----------------------|-----------------|--------|--------|----------|----------|
| | | | JRS5 | JRS5H | JRS5LT | JRS7 | JRS10 |
| 1 | Drain plug 1/4" NPT | Steel | 6K2 | | | | |
| 2 | Vent plug 1/8" NPT | Steel | 6K1 | | | | |
| 3 | Elbow connector – tubing | Polypropylene | 6K94 | | | | |
| 4 | Casing | Cast iron | 1K342 | | 1K382 | 1K342 | |
| 5 | Nozzle | Delrin® | AN018 | AN020 | AN018 | | |
| 6 | Venturi tube | Lexan® | AD3330 | AD3325 | AD3330 | AD3336 | AD3339 |
| 7 | Separator plate seal ring | BUNA-N | 5K323 | | | | |
| 8 | Separator plate | Polypropylene | 5K253 | | | | |
| 9 | Diffuser (guidevane) | Lexan® | 3K64 | | | 3K65 | |
| 10 | Impeller | Noryl® | 2K900 | | | 2K901 | 2K902 |
| 11 | O-ring | BUNA | 5K230 | | | | |
| 12 | Mechanical seal – Rotary | Teepelite | 10K10 | | | | |
| 13 | Mechanical seal – Stationary | Ceramic | 10K10 | | | | |
| 14 | Seal housing | Amodel® | 1K325 | | | | |
| 15 | Connector with locknut | Steel | 6K24 | | | | |
| 16 | Pressure switch | NA | AS4 | | | | |
| 17 | Tubing – pressure switch | Polypropylene | 6K92 | | | 6K101 | 6K108 |
| 18 | Motor | Stainless steel shaft | SFJ04860 | | | SFJ05860 | SFJ06860 |
| 19 | Hex cap screw | Steel | 13K80 | | | | |
| 20 | Grommet – base | BUNA | 4K405 | | | | |
| 21 | Base – JRS5, JRS7, JRS10 (off tank) | Steel | 4K399 | | 4K449 | 4K399 | |
| | Tank base – JRS5LT (on tank model) | | | | | | |
| 22 | Discharge gland washers (pkg 2) | N-8090 | – | 5K10 | – | | |
| 23 | Discharge gland packing | BUNA | – | 5K8 | – | | |
| 24 | Dis. gland nut assembly (includes 22 & 23) | Brass | – | 4K12 | – | | |



MODEL JRD

| Item No. | Part Description | Material | Repair Part No. | | | |
|----------|--|-----------------------|-----------------|--------|----------|----------|
| | | | JRD5 | JRD5LT | JRD7 | JRD10 |
| 1 | Pipe plug 1/2" NPT | Steel | 6K68 | | | |
| 2 | Hex cap screw | Steel | 13K1 | | | |
| 3 | Shallow well adapter | Cast iron | 4K62 | | | |
| 4 | Pipe plug 1/8" NPT | Steel | 6K1 | | | |
| 5 | Gasket | BUNA – FDA/NSF | 5K108 | | | |
| 6 | Nozzle | Delrin® | AN018 | | | |
| 7 | Venturi tube | Lexan® | AD3731 | | AD3536 | AD3538 |
| 8 | Drain plug 1/4" NPT | Steel | 6K2 | | | |
| 9 | Elbow connector – tubing | Polypropylene | 6K94 | | | |
| 10 | Casing | Cast iron | 1K416 | 1K417 | 1K416 | |
| 11 | Separator plate seal ring | BUNA | 5K323 | | | |
| 12 | Separator plate | Polypropylene | 5K253 | | | |
| 13 | Diffuser (guide vane) | Lexan® | 3K64 | | 3K65 | |
| 14 | Impeller | Noryl® | 2K900 | | 2K901 | 2K902 |
| 15 | O-ring | BUNA | 5K230 | | | |
| 16 | Mechanical seal – rotary | Teeplelite | 10K10 | | | |
| 17 | Mechanical seal – stationary | Ceramic | | | | |
| 18 | Seal housing | Amodel® | 1K325 | | | |
| 19 | Connector w/locknut | Steel | 6K24 | | | |
| 20 | Pressure switch | NA | AS4 | | | |
| 21 | Tubing – pressure switch | Polypropylene | 6K92 | | 6K101 | 6K108 |
| 22 | Motor | Stainless steel shaft | SFJ04860 | | SFJ05860 | SFJ06860 |
| 23 | Hex cap screw | Steel | 13K80 | | | |
| 24 | Grommet – base | BUNA | 4K405 | | | |
| 25 | Base – JRD5, JRD7, JRD10 (off tank) | Steel | 4K399 | 4K449 | 4K399 | |
| | Tank base – JRD5LT (on tank) | | | | | |
| 26 | Discharge gland washers (pkg 2) | N-8090 | – | 5K10 | – | |
| 27 | Discharge gland packing | BUNA | – | 5K8 | – | |
| 28 | Dis. gland nut assembly (includes 26 & 27) | Brass | – | 4K12 | – | |

JRD with Shallow Well Adapter



MODEL J+ and JS+

| Item No. | Part Description | Material | J+ Series Repair Part No. | | | | | JS+ Series Repair Part No. | | | | |
|----------|---|---|---------------------------|---------|---------|---------|---------|----------------------------|---------|---------|--------|--------|
| | | | J5 | J5H | J7 | J10 | J15 | J5S | J5SH | J7S | J10S | J15S |
| 1 | Pipe plug – ½" NPT | Steel, plated | 6K68 | | | | | — | | | | |
| 2 | Hex cap screw | Steel | 13K1 | | | | | — | | | | |
| 3 | Pipe plug – ⅜" NPT | Steel, plated | 6K1 | | | | | 6K1 | | | | |
| 4 | Shallow well adapter | Cast iron | 4K62 | | | | | — | | | | |
| 5 | Nozzle | Delrin® | AN017 | AN019 | ANO18 | | ANO22 | AN017 | AN019 | ANO18 | | ANO22 |
| 6 | Venturi tube | Lexan® on model JS+ Durez® on model J+ | AD3731 | AD3528 | AD3536 | AD3538 | AD3542 | AD3332 | AD3328 | AD3336 | AD3339 | AD3342 |
| 7 | Gasket | BUNA - FDA/NSF | 5K108 | | | | | — | | | | |
| 8 | Drain plug – ¼" NPT | Steel, plated | 6K2 | | | | | 6K2 | | | | |
| 9 | Straight connector | Polypropylene | 6K100 | | | | | 6K100 | | | | |
| 10 | Casing | Cast iron | 1K311 (59395) | | | | | 1K333 (59240) | | | | |
| 11 | Seal ring | BUNA - FDA/NSF | 5K6 or 5K231 ① | | | | | 5K6 or 5K231 ① | | | | |
| 12 | Diaphragm | BUNA - FDA/NSF | 5K162 | | | | | 5K162 | | | | |
| 13 | Tubing | Polypropylene | 6K92 | 6K93 | 6K101 | 6K102 | 6K92 | 6K93 | 6K101 | 6K102 | | |
| 14 | Diffuser (guidevane) | Lexan® 10% G.F. | 3K75 | 3K67 | | 3K68 | 3K75 | 3K67 | | 3K68 | | |
| 15 | Impeller | Noryl® 20% G.F. | 2K4 | 2K60 | 2K61 | 2K706 | 2K4 | 2K60 | 2K61 | 2K706 | | |
| 16 | Mechanical seal, rotary | Teepelite | 10K10 | | | | | 10K10 | | | | |
| 17 | Mechanical seal, stationary | Ceramic | | | | | | | | | | |
| 18 | Motor adapter | Cast iron | 1K310 (59394) | | | | | 1K310 (59394) | | | | |
| 19 | Casing bolts | Steel | 13K102 | | | | | 13K102 | | | | |
| 20 | Elbow connector | Polypropylene | 6K94 | | | | | 6K94 | | | | |
| 21 | Motor adapter bolts | Steel | 13K69 | | | | | 13K69 | | | | |
| 22 | Motor | Stainless steel shaft | J04853R | J05853R | J06853R | J07858R | J04853R | J05853R | J06853R | J07858R | | |
| 23 | Pressure switch | NA | AS4 | | | | | AS4 | | | | |
| 24 | Pump foot | Steel | 4K408 | | | | | 4K408 | | | | |
| 24A | Pump Base Assembly with Rubber Channel Replaces foot 4K408 | Steel | — | | | 15K60 | — | | | 15K60 | | |
| 25 | Pump foot bolt | Steel | 13K252 | | | | | 13K252 | | | | |
| 26 | Switch con. with locknut | Steel | 6K24 | | | | | 6K24 | | | | |
| 27 | Fillister head machine screw | Stainless steel | 13K4 | | | | | 13K4 | | | | |
| 28 | Deflector | BUNA | 5K7 | | | | | 5K7 | | | | |

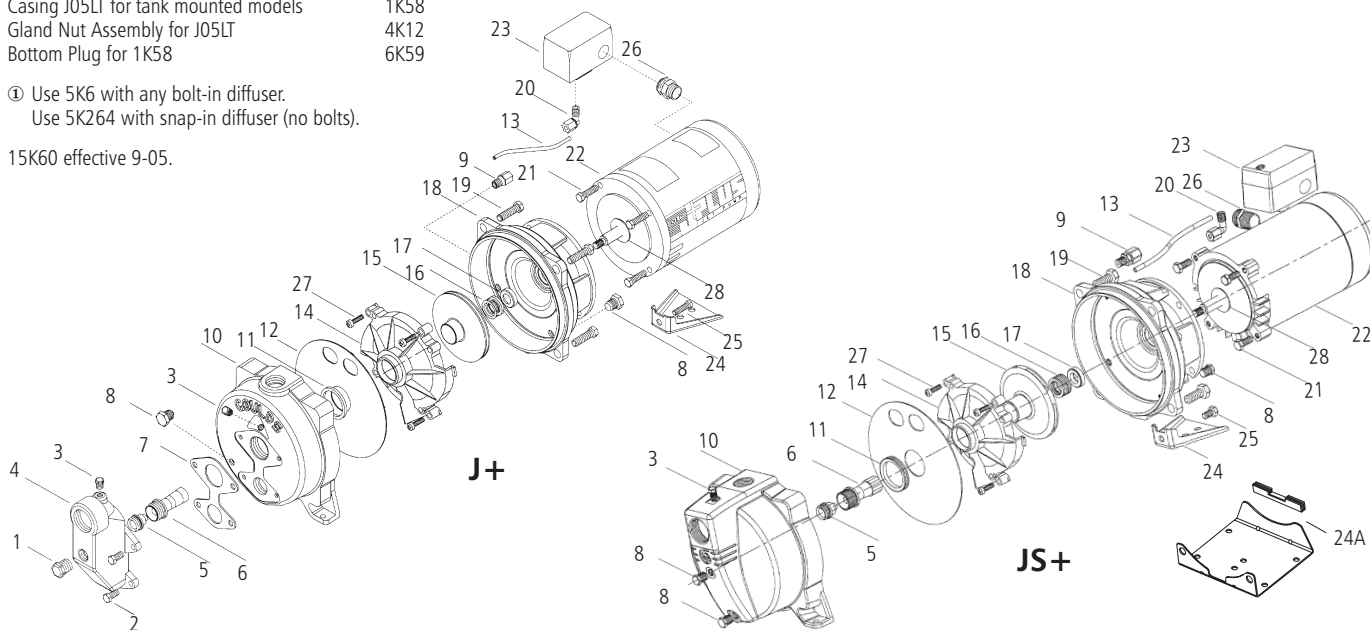
NOT SHOWN:

Casing J05LT for tank mounted models
 Gland Nut Assembly for J05LT
 Bottom Plug for 1K58

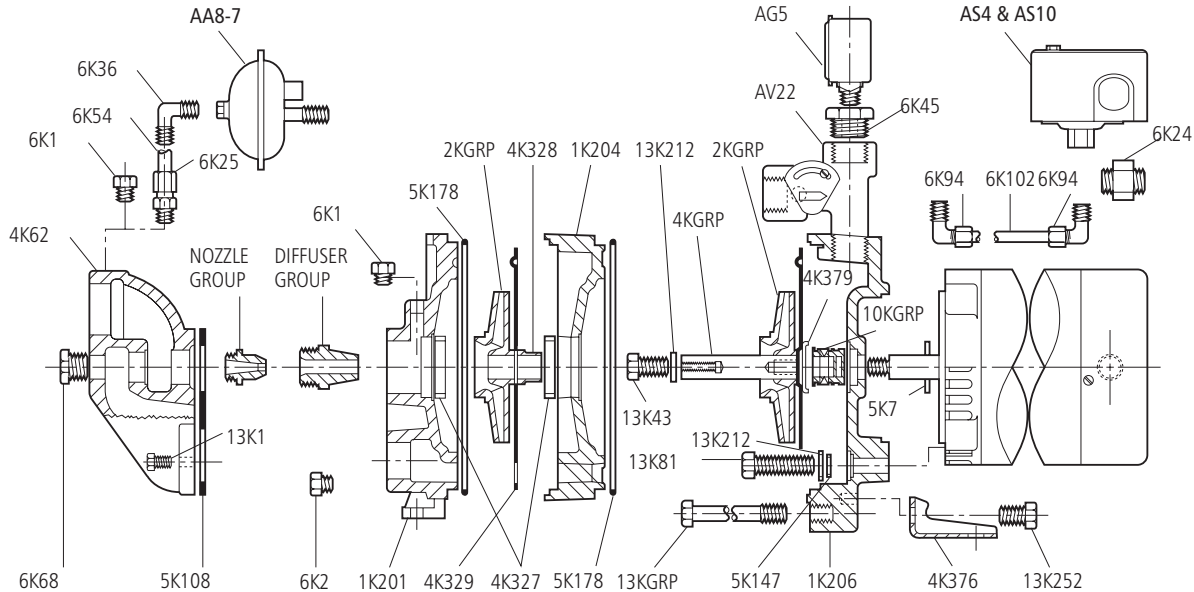
1K58
 4K12
 6K59

① Use 5K6 with any bolt-in diffuser.
 Use 5K264 with snap-in diffuser (no bolts).

15K60 effective 9-05.



MODEL HSJ



| Part No. | Part Name | Pattern No. |
|---|--|-------------------------|
| ① 1K201 1K204 1K206 | Casing (4 bolt S.W.A.) Intermediate stage Motor adapter | 59160 59157 59156 |
| 2K289 2K290 | Impeller – ¾ and 1½ HP HSJ models Impeller – 1 and 2 HP HSJ models | |
| 4K62 4K308 4K327 4K328 4K329 | Adapter – shallow well (4 bolt) Foot - old style (cast) Wear ring Sleeve Coverplate – 1 per stage | 55548 |
| ② 4K331 ② 4K332 4K376 | Shaft extension – 2 stage, ¾ and 1 HP Shaft extension – 3 stage, 1½ and 2 HP Foot - (stamped) | |
| 15K60 4K379 | Pump Base Assembly with Rubber Channel Replaces foot 4K408 Retainer – shaft sleeve assembly | |
| 5K7 5K147 5K108 5K178 | Deflector O-ring – motor adapter bolts Gasket – S.W. adapter (4 bolt) O-ring – casing and intermediate stage | |
| 6K1 6K2 6K24 6K25 6K36 6K45 6K68 6K94 6K102 | Pipe plug ⅛" NPT Pipe plug ¼" NPT Switch connector with nut Comp. fitting ⅛" NPT x ¼" tubing Comp. fitting elbow ⅛" NPT x ¼" tubing Reducing bushing ¼" x 1" NPT Pipe plug ½" NPT Elbow fitting (tubing) Tubing | |
| 10K10 | Shaft seal assembly | |
| 13K43 13K71 13K81 13K1 13K212 13K213 13K214 13K252 | Impeller bolt Bolt – foot to adapter (old foot) Bolt – adapter to motor Bolt – S.W. adapter (4 bolt) Washer – impeller and adapter Bolt – casing to adapter, 2 stage models Bolt – casing to adapter, 3 stage models Bolt – foot to adapter | |

| Part No. | Part Name | Pattern No. |
|----------|---|-------------|
| AG2 | Pressure gauge – 200 PSI maximum | |
| AG5 | Pressure gauge – 100 PSI maximum | |
| AS4 | Pressure switch – ¾, 1, 1½ HP rated | |
| AS10 | Pressure switch – 2 HP rated | |
| AV22 | Pressure control valve | |
| AA8-7 | Air volume control valve – used with galvanized tanks | |

MOTOR CODES

| HP | Model | Order No. |
|----|-----------------|-----------|
| ¾ | HSJ07N, 2 stage | J05853R |
| 1 | HSJ10N, 2 stage | J06853R |
| 1½ | HSJ15N, 3 stage | J07858R |
| 2 | HSJ20N, 3 stage | J08854R |

SHALLOW WELL FITTINGS PACKAGES

| HP | Model | Nozzle Group | Diffuser Group |
|----|--------|--------------|----------------|
| ¾ | HSJ07N | AN012 | AD3432 |
| 1 | HSJ10N | AN012 | AD3437 |
| 1½ | HSJ15N | AN012 | AD3439 |
| 2 | HSJ20N | AN012 | AD3448 |

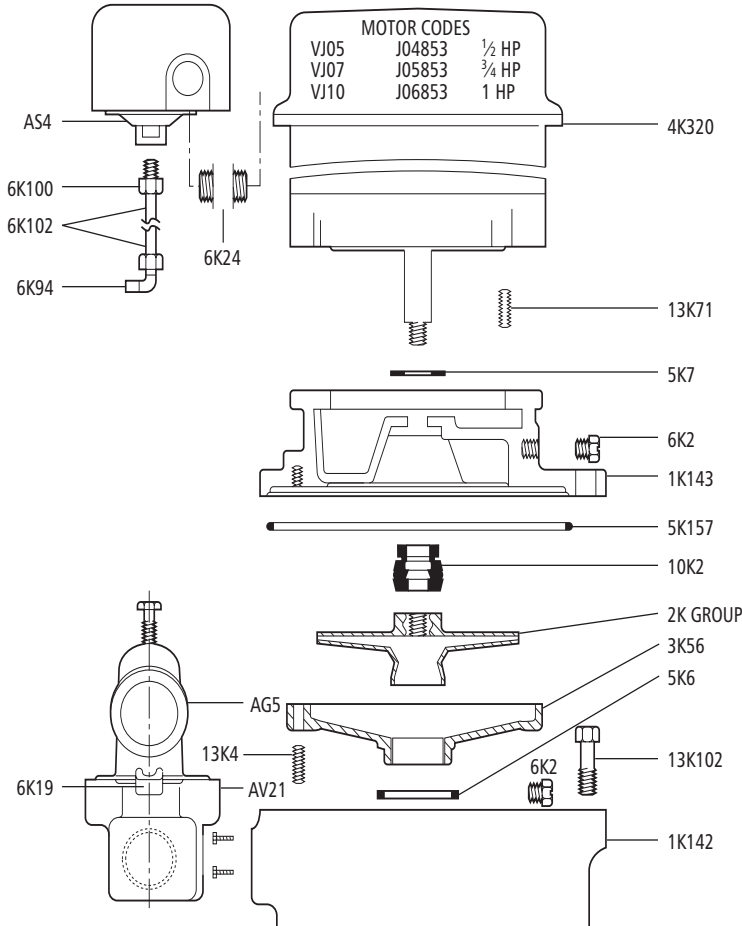
2 BOLT SHALLOW WELL ADAPTER – OBSOLETE (NOT AVAILABLE)

| | |
|------------------------|---|
| 4K312 5K173 13K1 | Adapter – shallow well (2 bolt) Gasket – shallow well adapter (2 bolt) Bolt – shallow well adapter (2 bolt) |
|------------------------|---|

① Casing for 2 bolt shallow well adapter not available. Order 1K261 kit which includes pump casing, 4 bolt adapter, gasket and bolts.

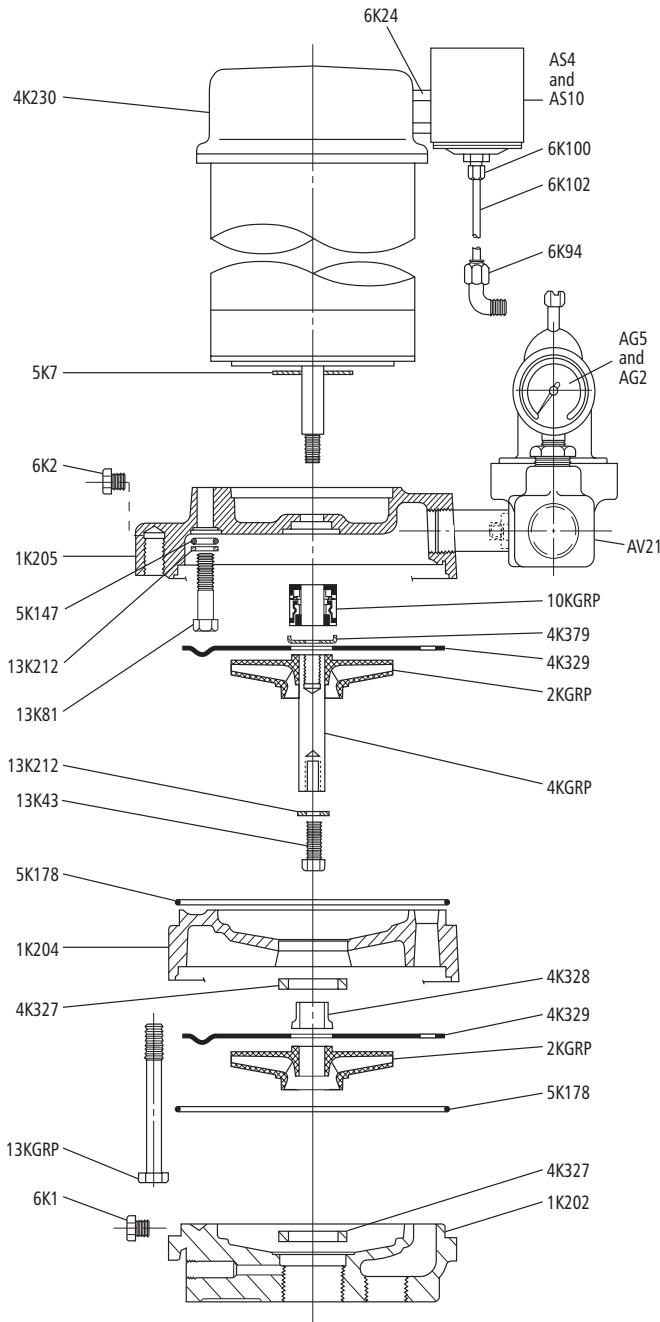
② Includes 4K379, 13K43 and 13K212.

MODEL VJ



| Part No. | Part Name | Pattern No. |
|----------|--|-------------|
| 1K142 | Casing | 59202 |
| 1K143 | Motor adapter | 59014 |
| 2K61 | Impeller 3/4 and 1 HP | 2K GROUP |
| 2K204 | Impeller 1/2 HP | |
| 3K56 | Guidevane - 1/2, 3/4, 1 HP | |
| 4K230 | Drip cover - 48FR (A.O. Smith motor) | |
| 5K6 | Seal ring - guidevane | |
| 5K7 | Deflector | |
| 5K157 | O-ring | |
| 6K2 | Plug 1/4 NPT | |
| 6K19 | Reducing bushing 3/4" x 1/4" (for AG5) | |
| 6K24 | Switch connector with nut | |
| 6K94 | Elbow fitting (tubing) | |
| 6K100 | Straight fitting (tubing) | |
| 6K102 | Tubing | |
| 10K10 | Shaft seal assembly | |
| 13K4 | Screw - guidevane | |
| 13K71 | Bolt - motor adapter to motor | |
| 13K102 | Bolt - casing to motor adapter | |
| AG5 | Pressure gauge | 54382 |
| AS4 | Pressure switch | |
| AV21 | Pressure control valve | |

MODEL SJ



| Part No. | Part Name | Pattern No. |
|----------|---|-------------|
| 1K202 | Casing – twin pipe system and packer | 59159 |
| 1K203 | Casing – packer system (OBSOLETE) | Use 1K202 |
| 1K204 | Intermediate stage | 59157 |
| 1K205 | Motor adapter | 59156 |
| 2K289 | Impeller – ¾ and 1½ HP models | |
| 2K290 | Impeller – 1 and 2 HP models | |
| 4K230 | Drip cover | |
| 4K327 | Wear ring | |
| 4K328 | Sleeve | |
| 4K329 | Coverplate | |
| 4K379 | Retainer – shaft seal assembly | |
| ①4K331 | Shaft extension – 2 stage, ¾ and 1 HP models | |
| ①4K332 | Shaft extension – 3 stage, 1½ and 2 HP models | |
| ②4K375 | Retaining ring (OBSOLETE) | |
| 5K7 | Deflector | |
| 5K147 | O-ring – motor adapter bolts | |
| 5K178 | O-ring – casing and intermediate stage | |
| 6K1 | Pipe plug ⅛" NPT | |
| 6K2 | Pipe plug ¼" NPT | |
| 6K19 | Reducing bushing ¼" x ¾" NPT | |
| 6K24 | Switch connector with nut | |
| 6K94 | Elbow fitting (tubing) | |
| 6K100 | Straight fitting (tubing) | |
| 6K102 | Tubing | |
| 10K10 | Shaft seal assembly | |
| 13K43 | Impeller bolt | |
| 13K81 | Bolt – adapter to motor | |
| 13K212 | Washer – impeller and adapter | |
| 13K213 | Bolt – casing to adapter ¾ and 1 HP models | |
| 13K214 | Bolt – casing to adapter 1½ and 2 HP models | |
| ②13K250 | Impeller washer (OBSOLETE) | |
| AG2 | Pressure gauge – 200 PSI max. | |
| AG5 | Pressure gauge – 100 PSI max. | |
| AS4 | Pressure switch – ¾, 1 HP, 1½ HP rated | |
| AS10 | Pressure switch – 2 HP rated | |
| AV21 | Pressure control valve | |
| AA8-7 | Air volume control valve (not shown) | |

① Includes 4K379, 13K43 and 13K212.

② Models built December 1988 through February 1991 used a retaining ring. Replace with 4K331 or 4K332 shaft extension assembly.

MOTOR CODES

| HP | Model | Order No. |
|----|--------------|-----------|
| ¾ | SJ07, SJ07PK | J05853R |
| 1 | SJ10, SJ10PK | J06853R |
| 1½ | SJ15, SJ15PK | J07858R |
| 2 | SJ20, SJ20PK | J08854R |

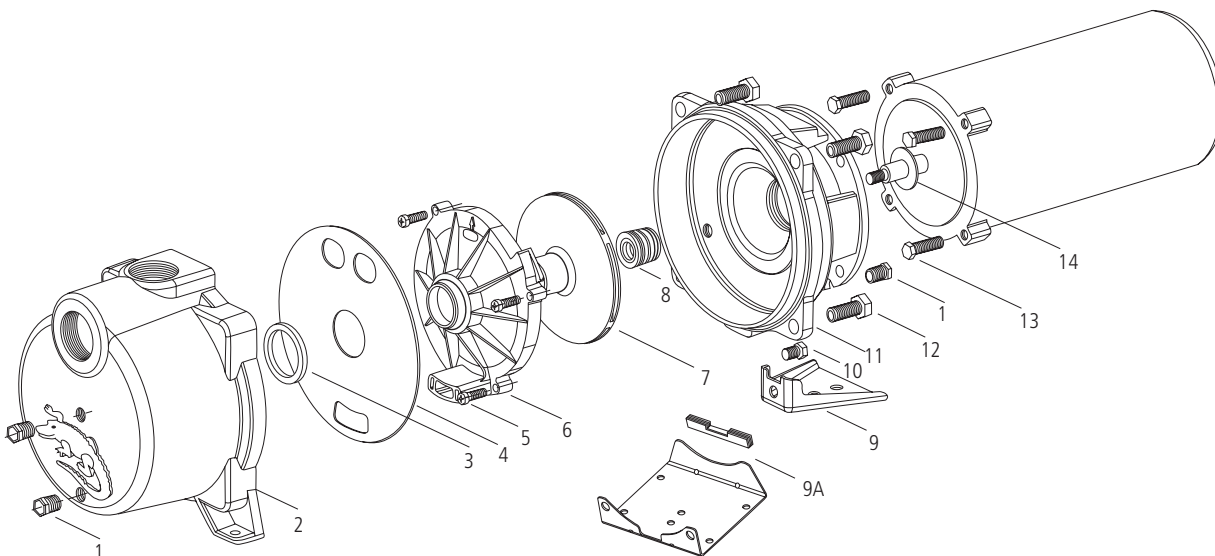
MODEL GT IRRI-GATOR

| Item No. | Description | Material | Part No. | | | | |
|----------|--|---------------------|------------------------|----------------|----------------|----------------|----------------|
| | | | GT07/ GT073 | GT10/ GT103 | GT15/ GT153 | GT20/ GT203 | GT30/ GT303 |
| 1 | ¼" NPT Pipe Plug | Plated Steel | 6K2 | | | | |
| 2 | Casing | Cast Iron | 1K324 | | | | |
| 3 | Guidevane Seal Ring | BUNA | 5K6 | | | | |
| 4 | Diaphragm | Neoprene | 5K256 | | | | |
| 5 | Fillister Head Machine Screw | Stainless Steel | 13K4 | 13K4 | 13K2 | 13K2 | 13K2 |
| 6 | Guidevane | Lexan® 10% G.F. | 3K72 | 3K71 | 3K70 | 3K70 | 3K69 |
| 7 | Impeller | Noryl® 20% G.F. | 2K715 | 2K716 | 2K714 | 2K713 | 2K712 |
| 8 | Mechanical Seal | Carbon/Ceramic/BUNA | 10K10 | | | | |
| 9 | Pump Foot (old style) | Steel | 4K408 | | | | |
| 9A | Pump Base Assembly with Rubber Channel Replaces foot 4K408 | | 15K60 (effective 9-05) | | | | |
| 10 | Pump Foot Bolt use with 4K408 only | Steel | 13K252 | | | | |
| 11 | Motor Adapter | Cast Iron | 1K310 | | | | |
| 12 | Casing Bolt | Steel | 13K102 (4 required) | | | | |
| 13 | Motor Adapter Bolt | Steel | 13K69 | | | | |
| 14 | Deflector | BUNA | 5K7 | | | | |

| HP | Motor Codes | | | |
|-----|-------------|----------|-----------|-----------|
| | 1Ø – ODP | 3Ø – ODP | 1Ø – TEFC | 3Ø – TEFC |
| .75 | J05853R | C05873 | C06821 | C06876 |
| 1.0 | J06853R | C06873 | C07821 | C07876 |
| 1.5 | J07858R | C07878 | C08821 | C08876 |
| 2.0 | J08854R | C08874 | C09821 | C09876 |
| 3.0 | J09853 | C09874 | C09821 | C09876 |

NOTE:

Many TEFC motors have a 1.0 Service Factor, while ODP motors have NEMA Service Factors between 1.15 and 1.6. Therefore, the motor HP will be higher for TEFC models than ODP models. Ex. A GT15 has a 1.5 HP, ODP motor with a 1.3 S.F., the GT153 will require a 2 HP TEFC motor which has a 1.0 S.F. The Price Book shows the actual HP motor used on each model while this chart shows only motor order numbers.



NOTES



ITT

2881 East Bayard Street, Seneca Falls, NY 13148

Phone: (315) 568-7123 • Fax: (315) 568-7973

www.goulds.com

Noryl and Lexan are registered trademarks of GE Plastic. Amodel is a registered trademark of Solvay. Delrin is a registered trademark of DuPont. Durez is a registered trademark of Durez Corporation, a division of Sumitomo Bakelite Company, Ltd.

Goulds Pumps and Irri-gator are registered trademarks of ITT Corporation. ITT, the Engineered Blocks Symbol and Engineered for Life are registered trademarks of ITT Manufacturing Enterprises, Inc.

Copyright © 2010 ITT Corporation RJETPARTS February, 2010 Printed in U.S.A.
SPECIFICATIONS ARE SUBJECT TO CHANGE WITHOUT NOTICE.

