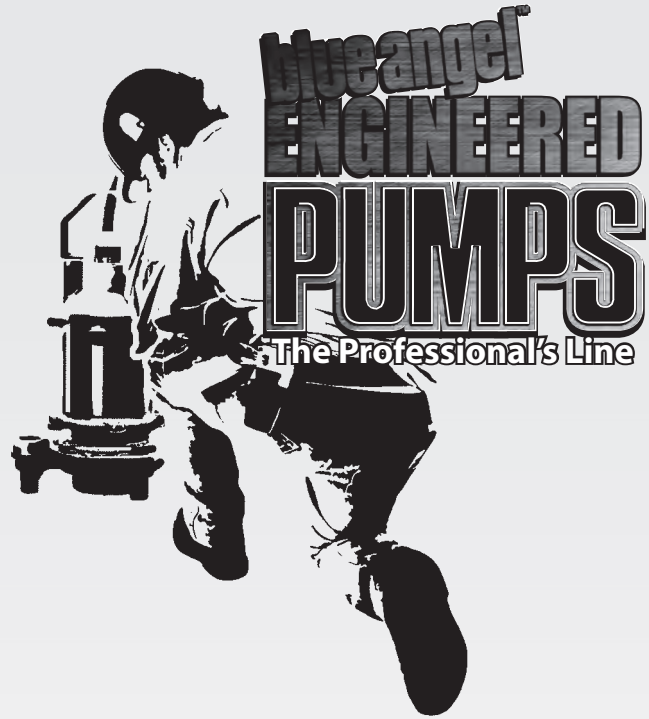


2 HP GRINDER PUMP BARDSGP1 Series

THE BEAST



- Grit Resistant, Silicon Carbide Seal and For Added Protection Secondary Carbon Ceramic Seal
- Dual Sealing Chambers with Moisture Detection Probe, for Optimum Motor Life
- Stainless Steel Cutter Assembly Effectively Grinds Domestic Sewage into a Fine Slurry
- Heavy Duty Upper and Lower Ball Bearings

CUTTER ASSEMBLY

Hardened 440C Stainless Steel (56-60 Rockwell C) Shredding Ring and Grinding Impeller - 24,000 Cuts Per Second - 1.5 Million Cuts Per Minute

IMPELLER

Ductile Iron for Superior Quality and Long Life

Recessed (Vortex) Design Reduces Bearing Load / Increases Bearing Life and Prevents Clogging

SHAFT SEALS

Dual Mechanical Seals, (Silicone/Carbide) Primary and (Carbon/Ceramic) Secondary

MOTOR

Capacitor Start/Run Design for Assured Starting, Strong Torque and Grinding Under Heavy Load

Pressed Stator for Precise Shaft / Bearing Alignment, Long Life

Internal Overload Automatic Protection

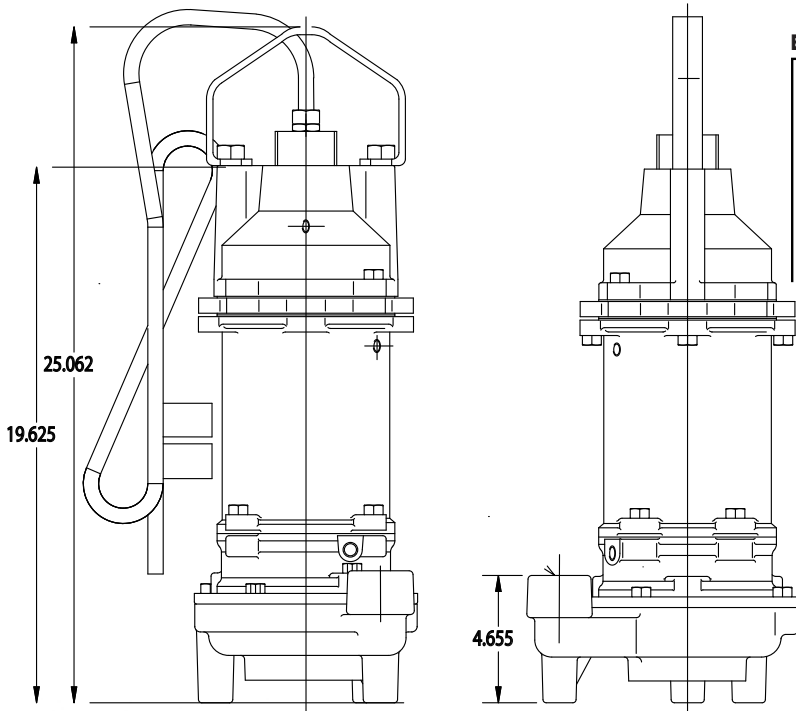
Dual Ball Bearings

Oil-Filled For constant Bearing Lubrication and Maximum Motor Cooling

2 YEAR
Warranty

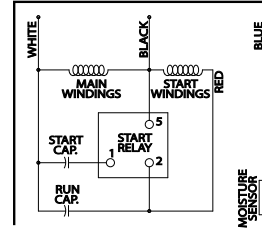
www.blueangelpumps.com

DIMENSIONAL DATA

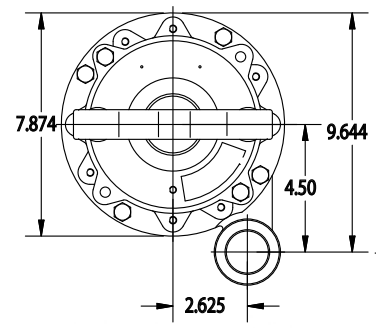
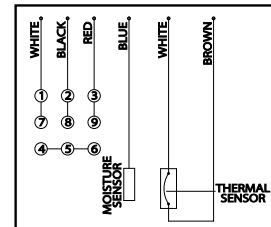


WIRING DIAGRAM

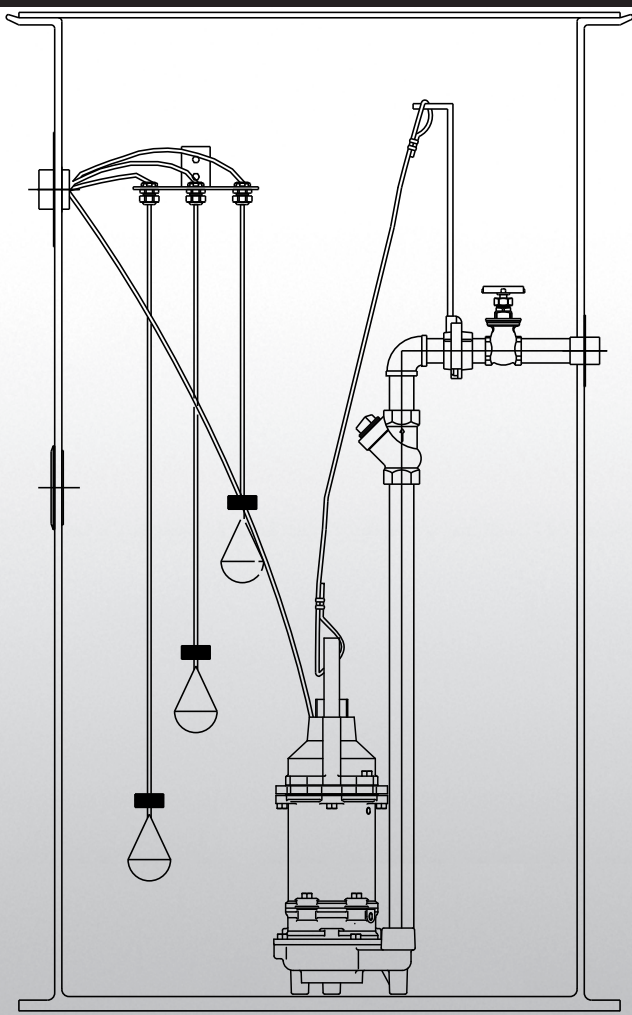
BARDSGP1-2021



BARDSGP1-2023



TYPICAL INSTALLATION

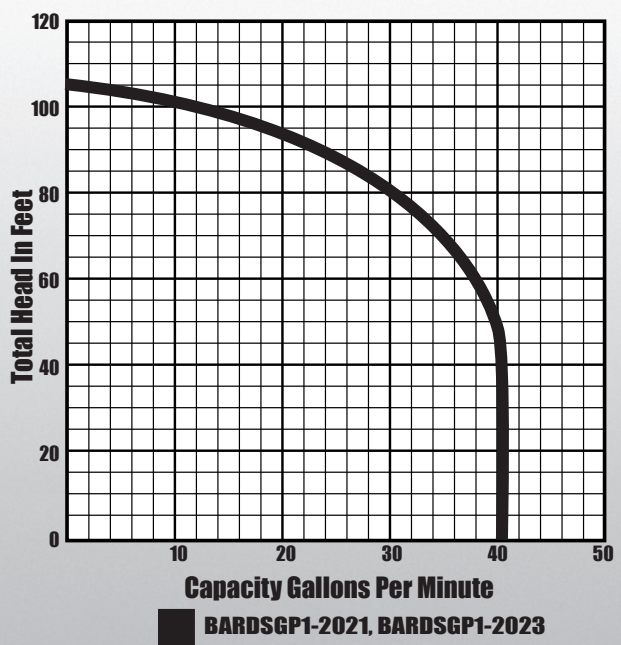


MOTOR SPECIFICATIONS

| MODEL | HP | PHASE | VOLTS | AMPS | Hz |
|---------------|----|-------|-------|------|----|
| BARDSGP1-2021 | 2 | 1 | 230 | 14.5 | 60 |
| BARDSGP1-2023 | 2 | 3 | 230 | 8.8 | 60 |

PERFORMANCE GPM

| DISCHARGE HEAD | 20' | 40' | 60' | 80' | 100' |
|----------------|-----|-----|-----|-----|------|
| BARDSGP1-2021 | 40 | 40 | 38 | 25 | 10 |
| BARDSGP1-2023 | 40 | 40 | 38 | 25 | 10 |



LIFTING BAIL

- For Balanced Load and Easy Lifting

CABLE ENTRY

- Triple Seal Protection - Compression Fitting Sealed - Secondary Epoxy Sealed - Soldered Conductors - Prevent Wicking - Simple Threaded Design For Easy Servicing

SECONDARY CHAMBER (DRY)

- Sealed From Motor - Longer Component Life - Easy Servicability

CAST IRON CONSTRUCTION

BALL BEARINGS

- Upper and Lower Ball Bearings - Supports Grinder Loads - 50,000 Hour B-10 Life

OIL-FILLED MOTOR HOUSING

- Maintains Cool Operation - Continuous Bearing Lubrication - Even Temperature Distribution. Eliminates Hot Spots.

OVERLOAD AUTOMATIC THERMAL

- Automatically Protects Motor and Resets When Motor Has Cooled.

HIGH TORQUE MOTOR

- 2 HP - 3450 RPM - Strong Starting/Grinding - Class F Windings Cool Operating - Pressed Stator Construction for Maximum Heat Dissipation

STAINLESS STEEL SHAFT

- 416 Stainless Steel

SHAFT SEALS

- Dual Construction - Mechanical (Silicon/Carbide) Lower - Mechanical (Carbon/Ceramic) Upper

IMPELLER

- Ductile Iron - Clog-Free - Recessed Design - Pump-Out Vanes Keep Seal Clean and Reduces Pressure At Seal Face

STAINLESS STEEL FASTENERS

GRINDER ASSEMBLY

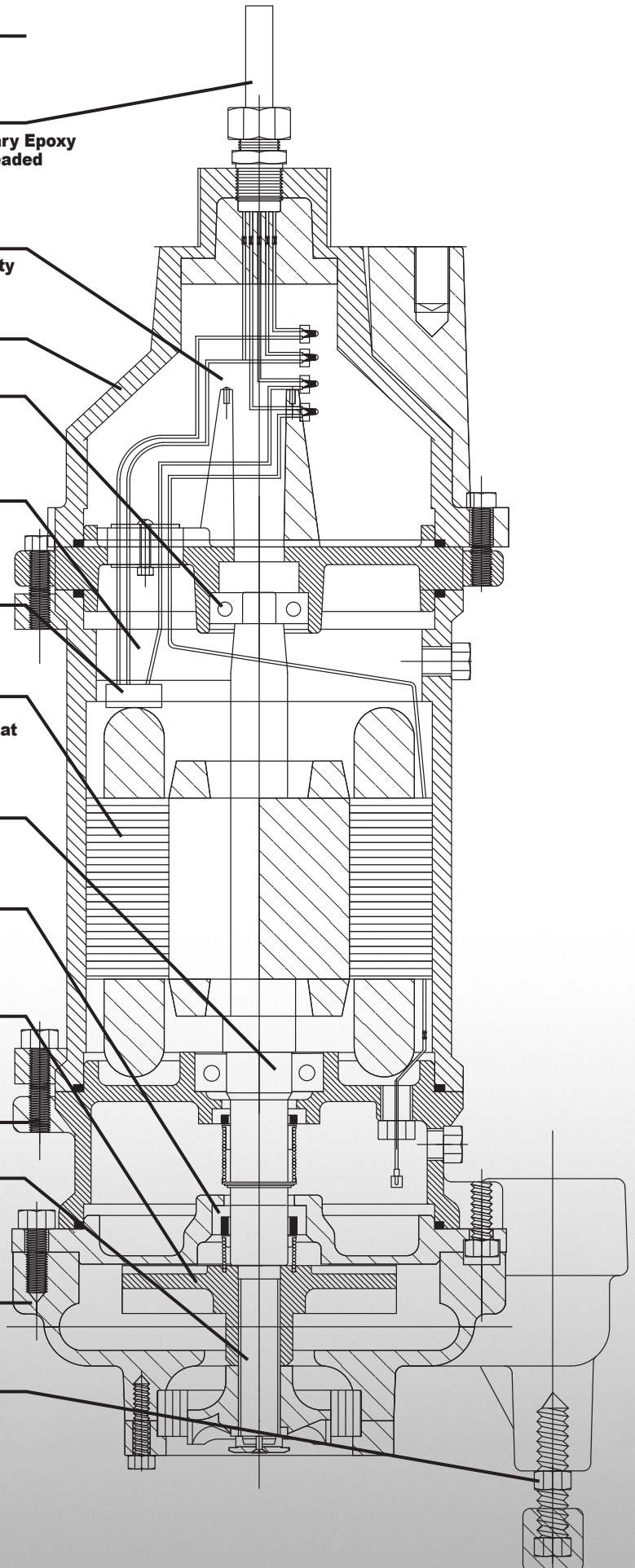
- 440C Stainless Steel Hardened to 56-60 Rockwell C. - Easy Bottom Servicing - No Dismantling of Pump Required - 24,000 Cuts Per Second

CAST IRON VOLUTE CASE

- 1-1/4" NPT Discharge

LEG EXTENSIONS

- Threaded Leg Castings (sst) with Molded Buna Support Pad



BARDSGP1 Series

2 HP GRINDER PUMP

BARDSGP1 Series



BARDSGP1-2021

- 230 Volt
- Single Phase
- Shipping Weight, 99 lbs
- 2 Year Warranty



BARDSGP1-2023

- 230 Volt
- Three Phase
- Shipping Weight, 99 lbs
- 2 Year Warranty

| | | |
|-----------------------------------|------------------------------------------------------------------------------------------------------------------------------|----------------------------------|
| DISCHARGE | 1-1/4" NPT, Vertical | |
| LIQUID TEMPERATURE | 120 Degrees F (Maximum) | |
| MOTOR HOUSING | Cast Iron, ASTM A-48, Class 30 | |
| CORD CAP | Cast Iron, ASTM A-48, Class 30 | |
| VOLUTE | Cast Iron, ASTM A-48, Class 30 | |
| SEAL PLATE | Cast Iron, ASTM A-48, Class 30 | |
| IMPELLER | Ductile Iron | |
| | 10 Vane, Vortex with Pump-Out Vanes, Dynamically Balanced | |
| SHREDDING RING | Hardened 440C Stainless Steel, 50-60 Rockwell C | |
| GRINDER IMPELLER | Hardened 440C Stainless Steel, 50-60 Rockwell C | |
| SHAFT | 416 Stainless Steel | |
| SHAFT SEAL | (PRIMARY) Mechanical, | (SECONDARY) Lip Seal |
| | Silicon - Rotating Face | Carbon - Rotating Face |
| | Carbide - Stationary Face | Ceramic - Stationary Face |
| | Buna-N - Elastomer | |
| | 300 Series Stainless Steel - Hardware | |
| BEARING (UPPER) | Single Row, Ball, Oil Lubricated | |
| BEARING (LOWER) | Single Row, Ball, Oil Lubricated | |
| HARDWARE | 300 Series Stainless Steel | |
| GASKETS | Buna-N | |
| CORD | UL/C (UL) Listed 14 AWG, Type SJOW or SOOW, 30' Cord | |
| | Length Standard, Other Lengths Available | |
| CORD ENTRY | Triple Sealed Design | |
| | Compression Grommet - Outer Jacket Seal | |
| | Epoxy Potted - Inner Conductor Seal | |
| | Butt Connector - Inner Wire Strand Wicking Blockage | |
| MOTOR (SINGLE PHASE) | 2 HP, 3450 RPM, 60 Hz, Automatic Overload Protection in the Motor, Oil-Filled, Class F, Capacitor Start/Capacitor Run | |
| | Start Capacitor..... 270-300 mfd, 250-370 VAC | |
| | Run Capacitor..... 30 mfd, 300 VAC | |
| | Start Switch..... GE 3ARR3J3G3 | |
| MOTOR (Three PHASE) | 2 HP, 3450 RPM, 60 Hz, Dual Voltage 230/460V, Requires Overload Protection in the Control Panel, Oil-Filled, Class F | |

FOR PUMP AND SYSTEM ACCESSORIES SEE ACCESSORIES SECTION

BLUE ANGEL™ ENGINEERED PUMPS • 101 Production Drive • Harrison, OH 45030 • 1-888-636-6628

© 2007 Blue Angel Pumps All Rights Reserved