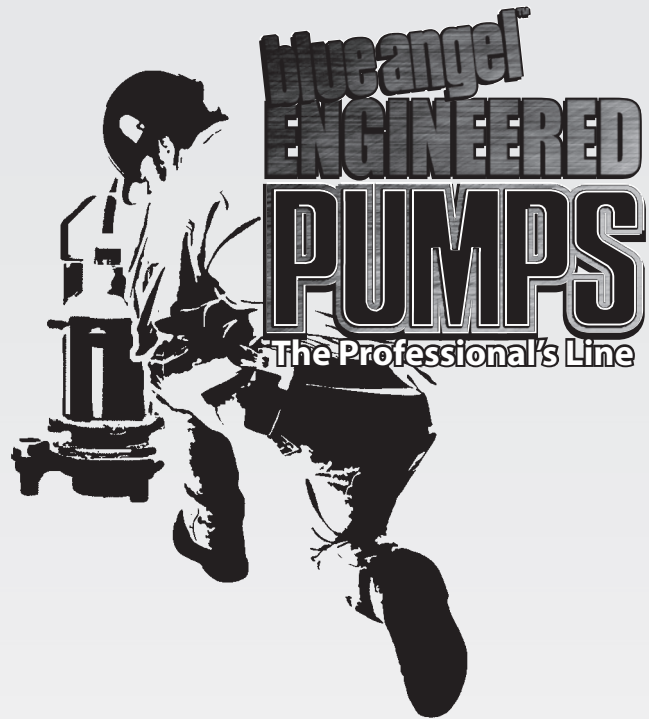


# 2 HP GRINDER PUMP BAGP1 Series

## THE BEAST



**2** YEAR  
Warranty



- Internal Capacitors - No Control Panel Req'd
- Triple Seal Non-Wicking Cord Design
- Grit Resistant, Silicon Carbide Seal and For Added Protection Secondary Lip Seal
- Stainless Steel Cutter Assembly Effectively Grinds Domestic Sewage Into a Fine Slurry
- Heavy Duty Upper and Lower Ball Bearings

### CUTTER ASSEMBLY

Hardened 440c Stainless Steel (56-60 Rockwell C) Shredding Ring and Grinding Impeller - 8300 Cuts Per Second - 1/2 Million Cuts Per Minute

### IMPELLER

Ductile Iron for Superior Quality and Long Life

Recessed (Vortex) Design Reduces Bearing Load / Increases Bearing Life and Prevents Clogging

### SHAFT SEALS

Full Mechanical Seal (Silicon/Carbide) and Secondary Lip Seal

### MOTOR

Capacitor Start/Run Design for Assured Starting, Strong Torque and Grinding Under Heavy Load

Pressed Stator for Precise Shaft / Bearing Alignment, Long Life

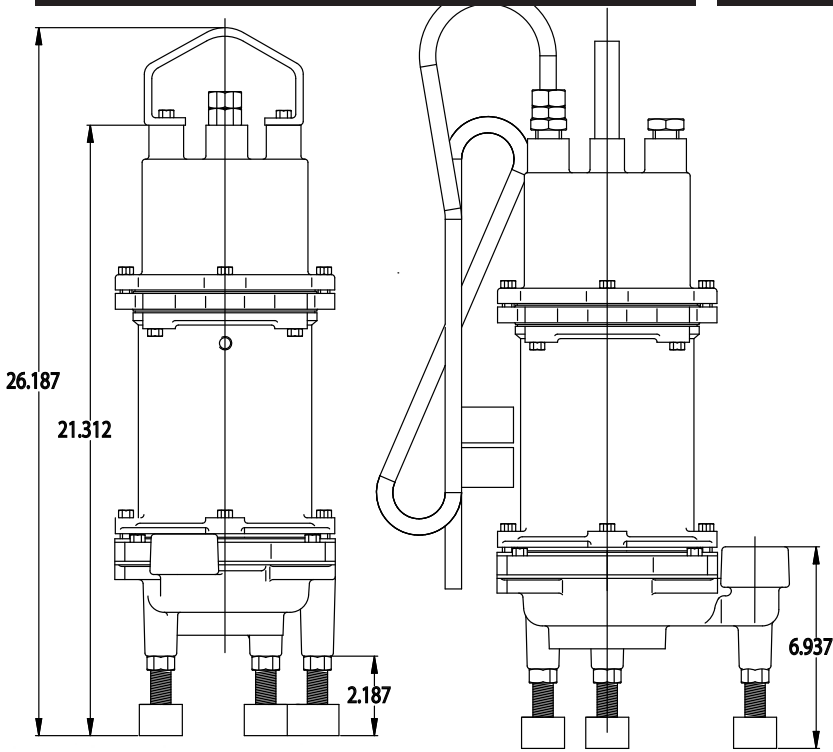
Internal Overload Automatic Protection

Dual Ball Bearings

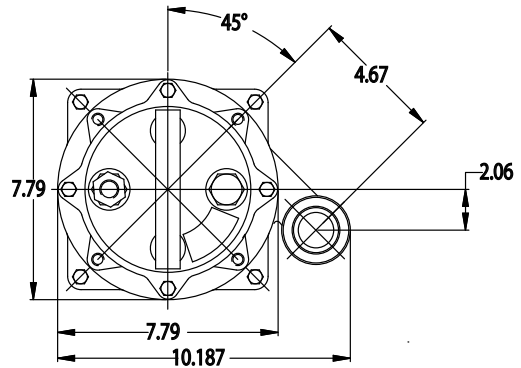
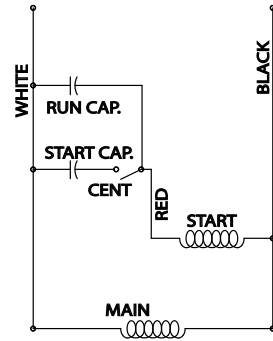
Oil-Filled For constant Bearing Lubrication and Maximum Motor Cooling

[www.blueangelpumps.com](http://www.blueangelpumps.com)

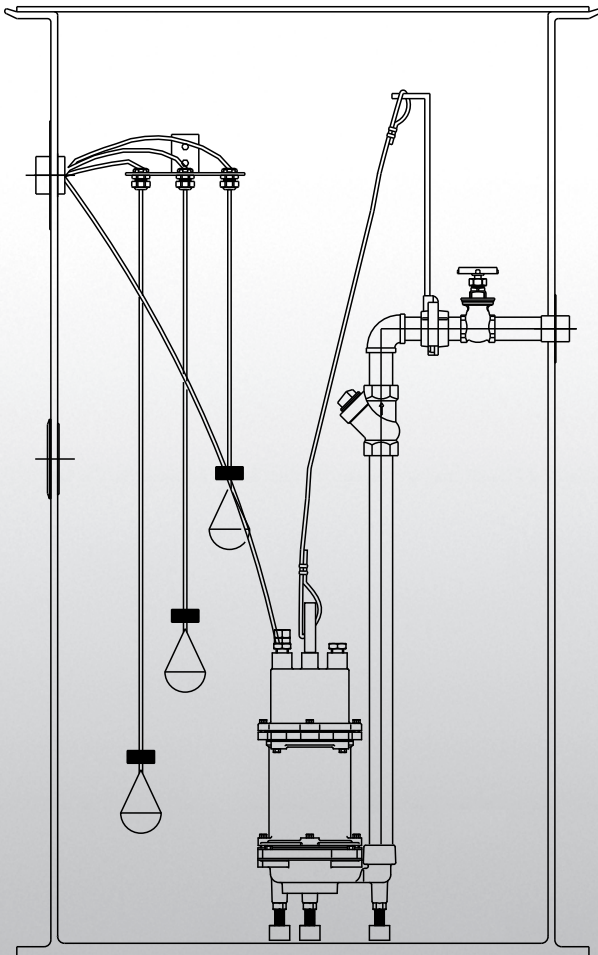
## DIMENSIONAL DATA



## WIRING DIAGRAM



## TYPICAL INSTALLATION

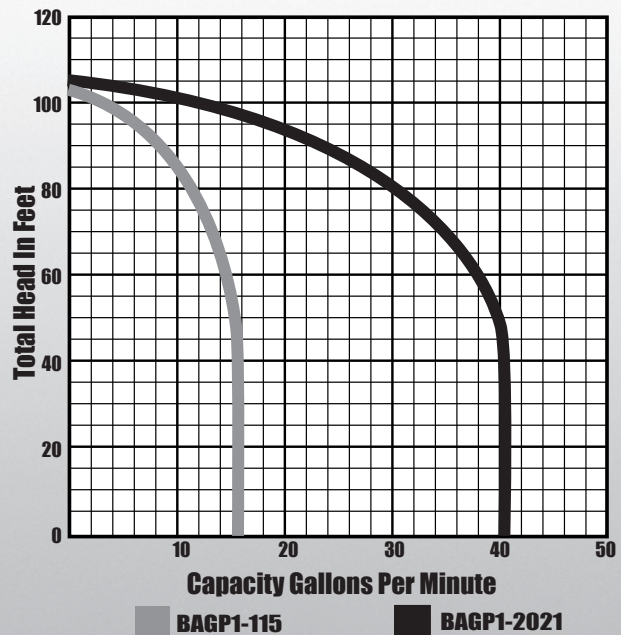


## MOTOR SPECIFICATIONS

MODEL	HP	PHASE	VOLTS	AMPS	Hz
BAGP1-115	2	1	115	15	60
BAGP1-2021	2	1	230	14.5	60

## PERFORMANCE GPM

DISCHARGE HEAD	20'	40'	60'	80'	100'
BAGP1-115	17	16	14	11	5
BAGP1-2021	40	40	38	30	10



## LIFTING BAIL

- For Balanced Load and Easy Lifting

## CABLE ENTRY

- Triple Seal Protection - Compression Fitting Sealed - Secondary Epoxy Sealed - Soldered Conductors - Prevent Wicking - Simple Threaded Design For Easy Servicing

## CAPACITORS

- Internal Start and Run - Strong Motor Operation

## SECONDARY CHAMBER (DRY)

- Sealed From Motor - Longer Component Life - Easy Servicing

## START SWITCH

- Mechanical For Reliable Starting - Low Voltage - Stress Free Long Life

## CAST IRON CONSTRUCTION

## OIL-FILLED MOTOR HOUSING

- Maintains Cool Operation - Continuous Bearing Lubrication - Even Temperature Distribution. Eliminates Hot Spots.

## BALL BEARINGS

- Upper and Lower Ball Bearings - Supports Grinder Loads - 50,000 Hour B-10 Life

## OVERLOAD AUTOMATIC THERMAL

- Automatically Protects Motor and Resets When Motor Has Cooled.

## HIGH TORQUE MOTOR

- 2 HP - 3450 RPM - Strong Starting/Grinding - Class F Windings Cool Operating - Pressed Stator Construction for Maximum Heat Dissipation

## STAINLESS STEEL SHAFT

- 416 Stainless Steel

## SHAFT SEALS

- Dual Construction - Mechanical (Silicon Carbide) - Secondary Lip Seal

## IMPELLER

- Ductile Iron - Clog-Free - Recessed Design - Pump-Out Vanes Keep Seal Clean and Reduces Pressure At Seal Face

## STAINLESS STEEL FASTENERS

## GRINDER ASSEMBLY

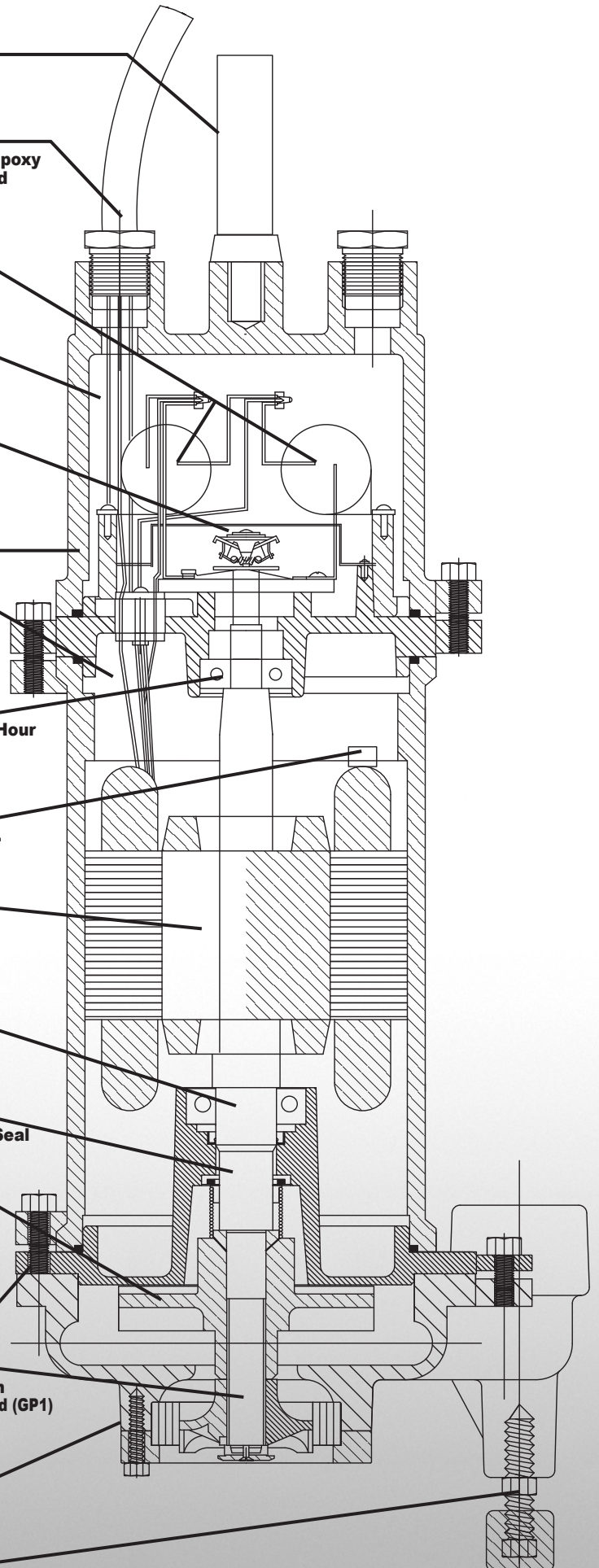
- 440C Stainless Steel Hardened to 56-60 Rockwell C. - Easy Bottom Servicing - No Dismantling of Pump Required - 8300 Cuts Per Second (GP1)

## CAST IRON VOLUTE CASE

- 1-1/4" NPT Discharge

## LEG EXTENSIONS

- Threaded Leg Castings (sst) With Molded Buna Support Pad



**BAGP1 Series**



# 2 HP GRINDER PUMP

## BAGP1 Series



### BAGP1-115

- 115 Volt
- Single Phase
- Shipping Weight, 92 lbs
- 2 Year Warranty



### BAGP1-2021

- 230 Volt
- Single Phase
- Shipping Weight, 92 lbs
- 2 Year Warranty

<b>DISCHARGE</b> .....	<b>1-1/4" NPT, Vertical</b>
<b>LIQUID TEMPERATURE</b> .....	<b>120 Degrees F (Maximum)</b>
<b>MOTOR HOUSING</b> .....	<b>Cast Iron, ASTM A-48, Class 30</b>
<b>CORD CAP</b> .....	<b>Cast Iron, ASTM A-48, Class 30</b>
<b>VOLUTE</b> .....	<b>Cast Iron, ASTM A-48, Class 30</b>
<b>SEAL PLATE</b> .....	<b>Cast Iron, ASTM A-48, Class 30</b>
<b>IMPELLER</b> .....	<b>Ductile Iron</b>
	<b>10 Vane, Vortex with Pump-Out Vanes, Dynamically Balanced</b>
<b>SHREDDING RING</b> .....	<b>Hardened 440C Stainless Steel, 50-60 Rockwell C</b>
<b>GRINDER IMPELLER</b> .....	<b>Hardened 440C Stainless Steel, 50-60 Rockwell C</b>
<b>SHAFT</b> .....	<b>416 Stainless Steel</b>
<b>SHAFT SEAL</b> .....	<b>(PRIMARY) Mechanical, (SECONDARY) Lip Seal</b>
	<b>Silicon - Rotating Face                      Buna-N</b>
	<b>Carbide - Stationary Face</b>
	<b>Buna-N - Elastomer</b>
<b>BEARING (UPPER)</b> .....	<b>300 Series Stainless Steel - Hardware</b>
<b>BEARING (LOWER)</b> .....	<b>Single Row, Ball, Oil Lubricated</b>
<b>HARDWARE</b> .....	<b>Single Row, Ball, Oil Lubricated</b>
<b>GASKETS</b> .....	<b>300 Series Stainless Steel</b>
<b>CORD</b> .....	<b>Buna-N</b>
	<b>UL/C (UL) Listed 14 AWG, Type SJOW or SOOW, 30' Cord</b>
	<b>Length Standard, Other Lengths Available</b>
<b>CORD ENTRY</b> .....	<b>Triple Sealed Design</b>
	<b>Compression Grommet - Outer Jacket Seal</b>
	<b>Epoxy Potted - Inner Conductor Seal</b>
	<b>Butt Connector - Inner Wire Strand Wicking Blockage</b>
<b>MOTOR (SINGLE PHASE)</b> .....	<b>2 HP, 3450 RPM, 60 Hz, Automatic Overload Protection in</b>
	<b>the Motor, Oil-Filled, Class F, Capacitor Start/Capacitor Run</b>
<b>Start Capacitor</b> .....	<b>200 mfd, 250 VAC</b>
<b>Run Capacitor</b> .....	<b>70 mfd, 250 VAC - BAGP1-115</b>
<b>Start Capacitor</b> .....	<b>200 mfd, 250 VAC</b>
<b>Run Capacitor</b> .....	<b>30 mfd, 300 VAC - BAGP1-2021</b>

FOR PUMP AND SYSTEM ACCESSORIES SEE ACCESSORIES SECTION

BLUE ANGEL™ ENGINEERED PUMPS • 101 Production Drive • Harrison, OH 45030 • 1-888-636-6628

© 2008 Blue Angel Pumps All Rights Reserved