

# 1/2 HP CAST IRON SHALLOW WELL JET PUMP



• **6.6 GPM @ 5' (50 PSI)**

• **Durable Cast Iron Volute**

• **Corrosion-Resistant, Reinforced Thermoplastic Impeller and Diffuser**

• **High Efficiency Square Flange Motor is Thermally Protected to Prevent Overheating and Universally Available if Replacement is Ever Required**

• **Pressure Switch Pre-Set at 30-50 PSI for Automatic Operation When Used with Water System Tank**

• **Dual Voltage (120/240), Factory Wired for 120 Volts**

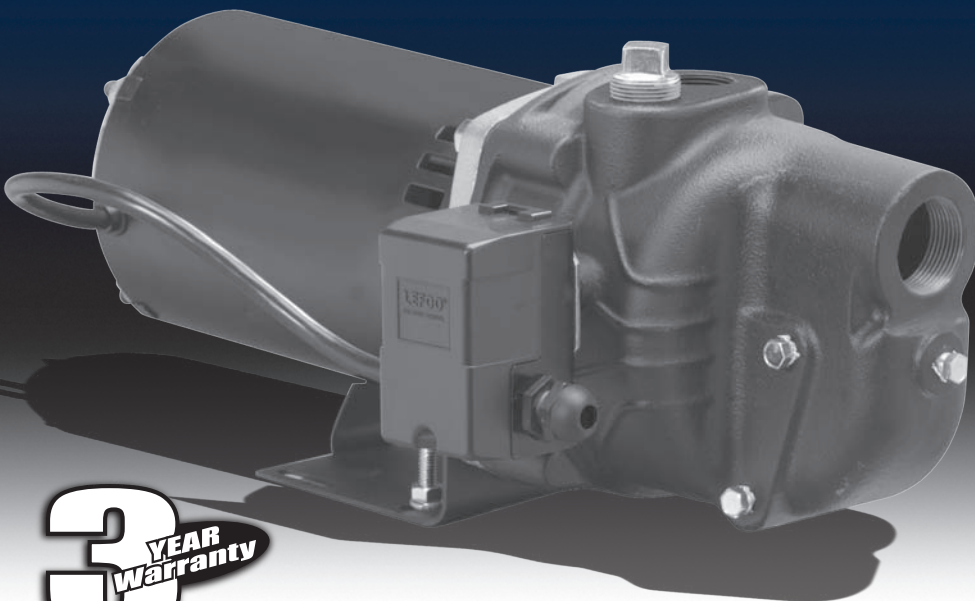
• **Dedicated Priming Port for Convenient Volute Filling**

• **Brass Wear Ring**

• **3/4" NPT Discharge**

• **1 - 1/4" NPT Suction**

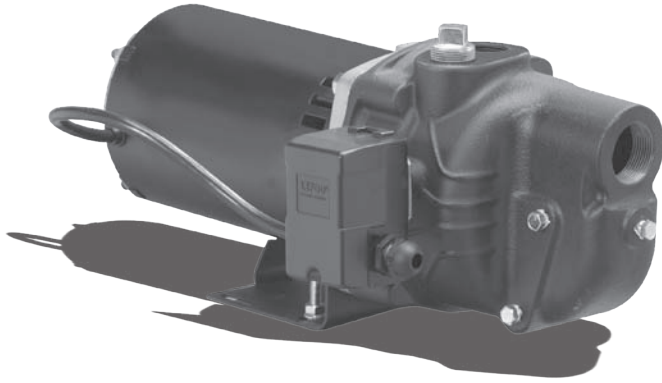
• **0' - 25' Well Depth**



**3** YEAR  
Warranty

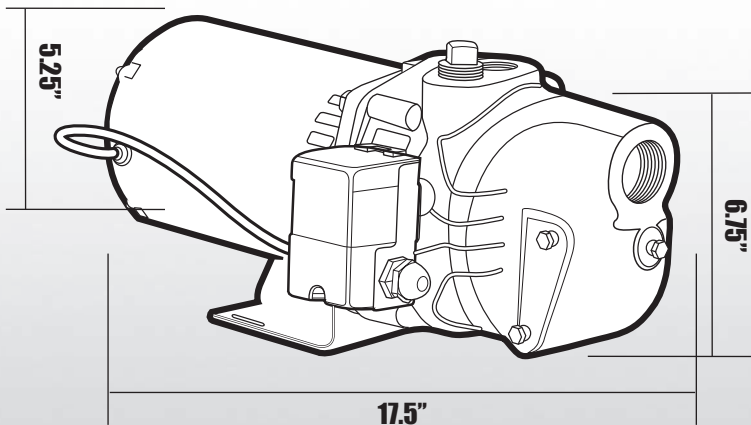
[www.blueangelpumps.com](http://www.blueangelpumps.com)

# 1/2 HP CAST IRON SHALLOW WELL JET PUMP



## SBS50

- 30/50 PSI Pressure Switch
- 120/240 Dual Voltage
- 3/4" NPT Discharge
- 1-1/4" Suction
- 0-25' Well Depth
- Shipping Weight, 39 lbs
- 3 Year Warranty



## MOTOR SPECIFICATIONS

MOTOR	RPM	VOLTS	AMPS	Hz
Split Phase	3450	120/240	10/5	60

## PERFORMANCE GPM

	WELL DEPTH					
	0'	5'	10'	15'	20'	25'
30 PSI	15.1	14.3	13.4	12.6	11.8	10.9
40 PSI	11.3	10.4	9.6	8.8	7.9	7.1
50 PSI	7.4	6.6	5.7	4.9	4.1	3.2

REQUIRES APPROPRIATE JET ASSEMBLY

FOR PUMP AND SYSTEM ACCESSORIES SEE ACCESSORIES SECTION

BLUE ANGEL™ PUMPS • 101 Production Drive • Harrison, OH 45030 • 1-888-636-6628

© 2008 Blue Angel Pumps All Rights Reserved

