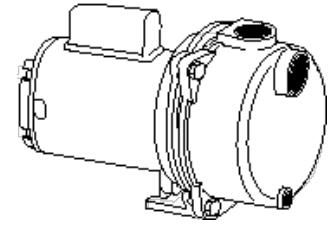


Please read and save these instructions. Read carefully before attempting to assemble, install, operate or maintain the product described. Protect yourself and others by observing all safety information. Failure to comply with instructions could result in personal injury and/or property damage! Retain instructions for future reference.

Lawn Sprinkler Pump



Description

This pump is a high capacity, self-priming centrifugal pump suitable for lawn sprinkling or other applications where large quantities of water are required. Flammable liquids such as gasoline, chemicals or corrosive liquids should never be used with this pump.

Safety Guidelines

This manual contains information that is very important to know and understand. This information is provided for SAFETY and to PREVENT EQUIPMENT PROBLEMS. To help recognize this information, observe the following symbols.

⚠ DANGER Danger indicates an imminently hazardous situation which, if not avoided, will result in death or serious injury.

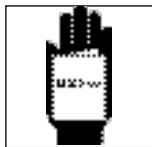
⚠ WARNING Warning indicates a potentially hazardous situation which, if not avoided, could result in death or serious injury.

⚠ CAUTION Caution indicates a potentially hazardous situation which, if not avoided, may result in minor or moderate injury.

ⓘ NOTICE Notice indicates important information, that if not followed, may cause damage to equipment.

General Safety Information

1. Read these rules and instructions carefully. Failure to follow these instructions could cause serious bodily injury and/or property damage.



⚠ DANGER This pump is non-submersible.

⚠ WARNING Pump only clear water. Do not pump flammable or explosive fluids such as gasoline, fuel oil, kerosene, etc. Do not use in a flammable and/or explosive atmosphere. Personal injury and/or property damage could result.



ⓘ NOTICE This pump is not designed to handle salt water, brine, laundry discharge or any other application which may contain caustic chemicals and/or foreign materials. Pump damage could occur if used in these applications and will void warranty.

⚠ WARNING All wiring must be performed by a qualified electrician. The pump must be installed in compliance with all local and national codes.



2. Connect this product to a grounded circuit equipped with a ground fault interruptor device.
3. Before installing this product, have the electrical circuit checked by an electrician to ensure proper grounding.
4. BE CERTAIN the pump power source is disconnected before installing or servicing pump.
5. Check motor voltage setting on motor endplate and make sure the line voltage of the electrical current supply is correct.
6. Be sure the water source and piping is clear of sand, dirt and scale.



Debris will clog pump and void warranty.

7. Failure to protect pump and piping from freezing could cause severe damage and will void the warranty.
8. Do not run pump dry. Follow priming instructions.

Installation

Protect pump from the elements by installing in a basement, garage, tool shed or pump house. Install the pump so the centerline of the pump is as close as possible to the water level. Keep installation area clear to provide access for service and maintenance. Protect the pump against flooding and excess moisture.

Make sure the pump has adequate ventilation. The surrounding temperature should not exceed 100°F (38°C) or nuisance tripping of the motor may occur.

PUMP PIPING INSTALLATION

Use new pipe for best results. Galvanized or plastic pipe can be used. When using galvanized pipe, provide independent supports for both suction and discharge piping near the pump to avoid strain on the pump. Minimize use of elbows and fittings to reduce friction loss. Refer to the friction loss chart for specific information.

Increase diameter of suction or discharge piping if length is over 50 feet.

SUCTION PIPING

⚠ WARNING Install foot valve or strainer screen over intake of suction piping.

Never use pipe smaller than 2" in diameter for suction piping. The suction pipe must be kept free of air leaks.

Lawn Sprinkler Pump

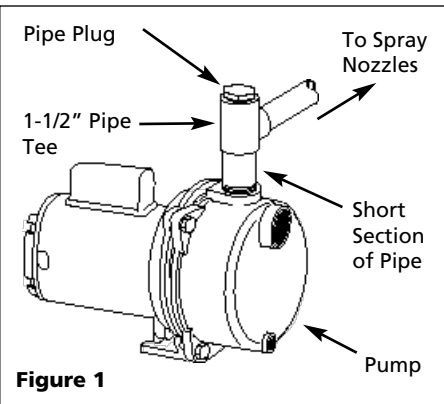
Installation (Continued)

For horizontal runs, lay pipe from the water source so the upward slope is at least 1/2" per foot. This eliminates trapped air. The threaded inlet of the pump is 2" NPT.

ADANGER Do not install suction piping near swimming areas.

DISCHARGE PIPING

Install a 1-1/2" pipe tee in the pump discharge to allow easy priming. Plug the end of the tee opposite the pump to allow the branch piping to go to the spray nozzles (See Figure 1). Remove the pipe plug to fill the pump with water for priming.



CONNECTION TO WATER SOURCE

The maximum vertical suction lift from pump to the water level is 25 feet.

DRILLED WELL

1. Install a foot valve on the first section of pipe (see Figure 2).
2. Lower the pipe into the well.
3. Add pipe until the foot valve is 10 feet below the lowest anticipated water level.

Leaking joints or couplings will allow air to leak into the pipe and cause poor pump operation. Make sure to use pipe joint compound or Teflon® tape on all pipe connections.

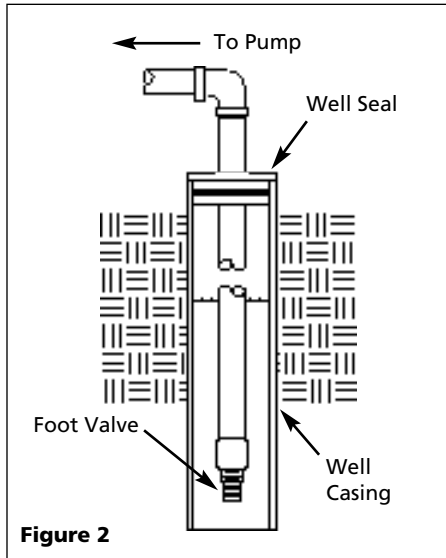


Figure 2

CAUTION Locate foot valve no closer than 2 feet from the bottom of the well so sand or sediment is not drawn into the system.

4. After the proper depth is reached, install a well seal or pitless adapter to support the pipe.
5. Slope the horizontal pipe upward toward the pump to eliminate trapping air.
6. When using a foot valve, a priming tee and plug above the well seal is recommended.

DRIVEN WELL

1. Drive the point several feet below the water table.

NOTE: A packer-type foot valve can be installed in the well (See Figure 3). This type of foot valve allows the well pipe to be filled with water when priming and makes the inlet pipe much easier to test for leaks. Follow the manufacturer's instructions when installing the packer-type foot valve.

As an alternative, an in-line check valve can be used with a driven well (See Figure 4).

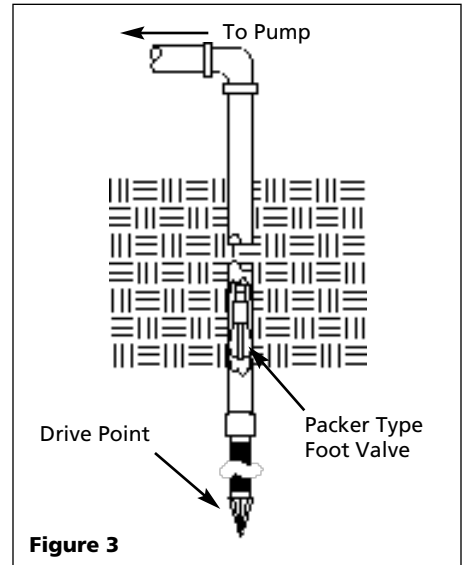


Figure 3

It may be necessary to supply the pump with multiple well points to maintain the high flow capability of this pump. Consult with a plumbing professional for appropriate materials and installation instructions.

Leaking joints or couplings will allow air to leak into the pipe and cause poor pump operation. Make sure to use pipe joint compound or Teflon® tape on all pipe connections.

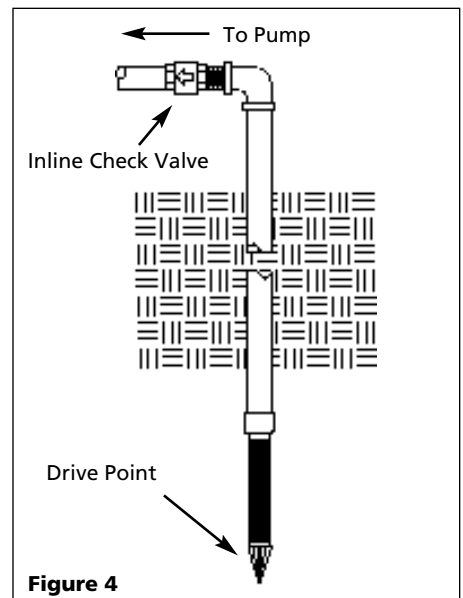


Figure 4

BWLS Series

Dug Well, Cistern, Lake And Spring Installation

1. Install a foot valve on the inlet pipe and lower into the water.

CAUTION *Locate foot valve no closer than 2 feet from the bottom of the water source so sand or sediment is not drawn into the system.*

NOTE: When a lake is used for the water supply, make sure the suction pipe is deep enough to be submerged at all times. Slope the pipe upward toward the pump to eliminate trapping air. The pipe must be removed during winter months or protected against freezing.

WARNING *Protect the pipe from damage by swimmers and boaters.*

Electrical Connections

Connect the pump to a separate electrical circuit with a dedicated circuit breaker. Refer to the electrical specifications in wiring chart for recommended circuit breaker and wire size.

Install and maintain wiring for this pump in accordance with the National Electrical code and all applicable local electrical codes.

The motor must be grounded by connecting a copper conductor to the

grounding screw provided within the wiring compartment.

The voltage of power supply must match the voltage of the pump. The BWLS75, BWLS100 and BWLS150 have dual voltage motors preset at the factory to 230 volts. The motors can be converted to 115 volts by turning the voltage selector to the desired voltage (See Figure 5). Use a needle nose pliers to pull the selector out approximately 1/4", rotate and then reinsert in correct position. **The BWLS200 cannot be converted; the motor is 230 volts only.**

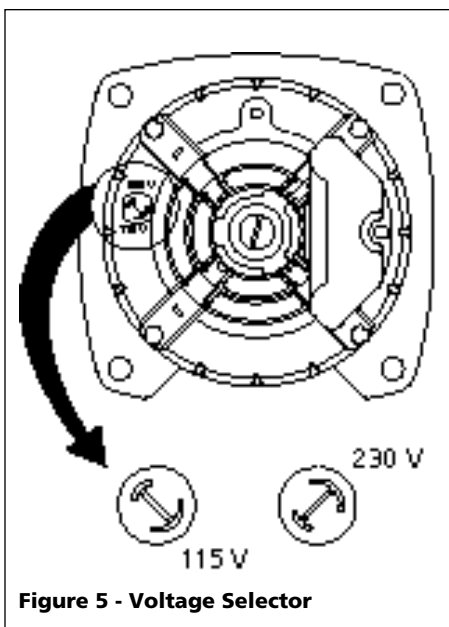


Figure 5 - Voltage Selector

Operation

CAUTION *Never run the pump dry. Running pump without water may cause seal damage. Fill the pump with water before starting.*

PRIMING THE PUMP

After pump installation is complete, the pump must be primed. Remove the pipe plug in the discharge piping and fill the pump and suction pipe with clean water. Turn power to pump on. If the pump does not pump water in 10 minutes, turn off the pump and refill with clean water.

If the pump does not operate after repeated attempts, check the following:

1. Vertical distance of pump to water level must not be over 25 feet.
2. Suction piping must be air tight.
3. Be sure valve(s) are open if used in discharge or suction piping.

CAUTION *Never run the pump with a closed or clogged discharge. The water inside the pump could boil and damage the pump.*

Maintenance

Maintain adequate ventilation for the pump motor. The motor bearings are permanently lubricated at the factory. Additional lubrication is not required.

WIRING CHART - RECOMMENDED WIRE AND FUSE SIZES

Model	HP	Volts	Max. Load Amps	Fuse Rating Amps	Distance in Feet From Motor to Supply			
					0	51	101	201
					50	100	200	300
					(AWG Wire Size)			
BWLS75	3/4	115	13.5	20	12	12	10	10
		230	7.0	15	14	14	12	12
BWLS100	1	115	14.8	20	12	12	10	10
		230	7.4	15	14	14	12	12
BWLS150	1-1/2	115	17.0	30	10	10	8	8
		230	8.5	15	14	14	12	12
BWLS200	2	230	12.0	15	14	14	12	12

Lawn Sprinkler Pump

Maintenance (Continued)

DRAINING FOR WINTER

Always protect pump and piping against freezing temperatures. If there is any danger of freezing, drain the system. To drain the system:

1. Remove the pipe plug from the discharge tee.
2. Remove the 1/4" plug from the lower front face of the pump.
3. Drain all piping below the frost line.

Lift in Feet	3/4 HP Pump Capacity in GPH		
	Operating Pressure (psi)		
	10	20	30
5	3900	3320	2320
10	3780	3120	2100
15	3600	2910	1190
20	3250	2670	990
25	3010	2560	840

Lift in Feet	1 HP Pump Capacity in GPH		
	Operating Pressure (psi)		
	10	20	30
5	4410	3920	2570
10	4180	3520	2300
15	3830	3340	1780
20	3680	3060	1160
25	3340	2720	1260

Lift in Feet	1-1/2 HP Pump Capacity in GPH			
	Operating Pressure (psi)			
	10	20	30	40
5	4790	4480	3480	2060
10	4610	4310	3190	1520
15	4320	4040	2900	0
20	3900	3720	2680	0
25	3810	3300	2390	0

Lift in Feet	2 HP Pump Capacity in GPH			
	Operating Pressure (psi)			
	10	20	30	40
5	5980	5560	4310	3060
10	5410	5220	4090	2880
15	5230	4980	3900	2570
20	4120	3840	3510	2210
25	3980	3600	3300	0

Pipe Size	psi Friction Loss in 100 Feet of Plastic Pipe*									
	(Gallons per Hour)									
	1200	1500	1800	2400	3000	3600	4800	6000	7200	
1-1/4	2.6	3.9	5.5	9.4	14.1					
1-1/2	1.2	1.9	2.6	4.4	6.7	9.4	15.9			
2		0.6	0.8	1.3	2.0	2.8	4.7	7.1	10.0	
2-1/2				0.6	0.8	1.2	1.3	3.0	4.2	

* Multiply by 1.8 for steel pipe

BWLS Series

Troubleshooting Chart

Symptom	Possible Cause(s)	Corrective Action
Motor will not run	<ol style="list-style-type: none"> 1. Disconnect switch is off 2. Fuse is blown 3. Starting switch is defective 4. Wires at motor are loose, disconnected or wired incorrectly 	<ol style="list-style-type: none"> 1. Be sure switch is on 2. Replace fuse 3. Replace starting switch 4. Refer to wiring instructions. Check and tighten all wiring <p>⚠️WARNING <i>Capacitor voltage may be hazardous. To discharge capacitor, touch short capacitor terminals with an insulated screwdriver. BE SURE to hold handle of screwdriver while making contact with capacitor terminals.</i></p>
Motor runs hot and overload kicks off	<ol style="list-style-type: none"> 1. Motor is wired incorrectly 2. Voltage is too low 3. Pump house not properly vented 	<ol style="list-style-type: none"> 1. Refer to wiring instructions 2. Check with power company. Install heavier wiring if wire size is too small (See wiring chart) 3. Be sure pump has sufficient ventilation to cool the motor
Motor runs but no water is delivered Note: Check prime before looking for other causes. Unscrew priming plug and see if water is in priming hole.	<ol style="list-style-type: none"> 1. Pump in new installation did not pick up prime through: <ol style="list-style-type: none"> a. Improper priming b. Air leaks c. Leaking foot valve 2. Pump has lost prime through: <ol style="list-style-type: none"> a. air leaks b. water level below suction of pump 3. Impeller is plugged 4. Check valve or foot valve is stuck in closed position 5. Pipes are frozen 6. Foot valve and/or strainer are buried in sand or mud 	<ol style="list-style-type: none"> 1. New installation: <ol style="list-style-type: none"> a. Re-prime according to instructions b. Check all connections on suction line c. Replace foot valve 2. Existing installations: <ol style="list-style-type: none"> a. Check all connections on suction line and shaft seal b. Lower suction line into water and re-prime. If receding water level in well exceeds suction lift, a deep well pump is needed 3. Clean impeller 4. Replace check valve or foot valve 5. Thaw pipes. Bury pipe below frost line. Heat pit or pump house 6. Raise foot valve and/or stainer above well bottom
Pump does not deliver water to full capacity	<ol style="list-style-type: none"> 1. Water level in well is lower than estimated 2. Steel piping (if used) is corroded or limed, causing excess friction 3. Piping is too small in size 	<ol style="list-style-type: none"> 1. A deep well jet pump may be needed (over 25 ft. (7.6M) to water) 2. Replace with plastic pipe where possible, otherwise with new steel pipe 3. Use larger piping

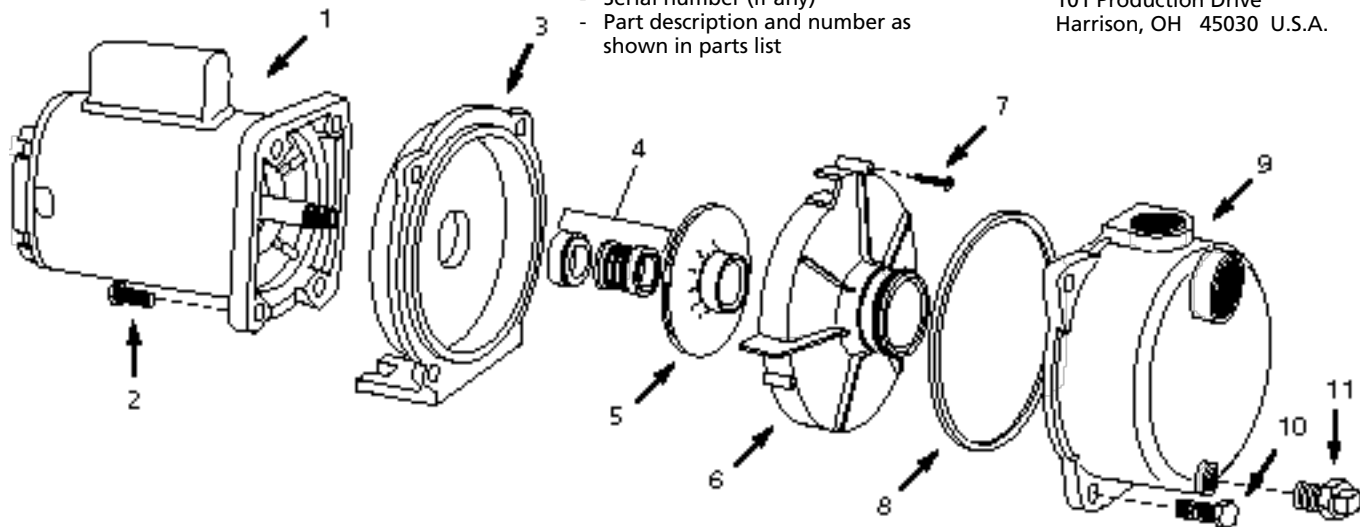
For Replacement Parts, call 1-800-237-0987

Please provide following information:

- Model number
- Serial number (if any)
- Part description and number as shown in parts list

Address parts correspondence to:

Blue Angel™
 101 Production Drive
 Harrison, OH 45030 U.S.A.



Ref. No.	Description	Part Number for Models: BWLS75	BWLS100	BWLS150	BWLS200	Qty.
1	Motor	32031-001	32015-001	32020-001	32021-001	1
2	3/8"-16 x 1" Hex cap screw	16334	16334	16334	16334	4
3	Sealplate	41011-001	41011-001	41011-001	41011-001	1
4	Shaft seal assembly	15559-002	15559-002	15559-002	15559-002	1
5	Impeller	29806-001	29805-001	29804-001	29803-001	1
6	Diffuser	29807-001	29807-001	29807-001	29807-001	1
7	10-24 x 1" Phillips screw	67017-001	67017-001	67017-001	67017-001	3
8	Square ring	19013-001	19013-001	19013-001	19013-001	1
9	Volute	41010-001	41010-001	41010-001	41010-001	1
10	7/16"-16 x 1.25" Hex cap screw	67018	67018	67018	67018	4
11	1/4" NPT Sq. hd. pipe plug	16314-002	16314-002	16314-002	16314-002	1

Limited Warranty

For one year from the date of purchase, Blue Angel™ will repair or replace, at its option, for the original purchaser any part or parts of its Sump Pumps or Water Pumps ("Product") found upon examination by Blue Angel™ to be defective in materials or workmanship. Please call Blue Angel™ (800-237-0987) for instructions or see your dealer. Be prepared to provide the model number and the serial number when exercising this warranty. All transportation charges on Products or parts submitted for repair or replacement must be paid by purchaser.

This Limited Warranty does not cover Products which have been damaged as a result of accident, abuse, misuse, neglect, improper installation, improper maintenance, or failure to operate in accordance with Blue Angel™'s written instructions.

THERE IS NO OTHER EXPRESS WARRANTY. IMPLIED WARRANTIES, INCLUDING THOSE OF MERCHANTABILITY AND FITNESS FOR A PARTICULAR PURPOSE, ARE LIMITED TO ONE YEAR FROM THE DATE OF PURCHASE. THIS IS THE EXCLUSIVE REMEDY AND ANY LIABILITY FOR ANY AND ALL INDIRECT OR CONSEQUENTIAL DAMAGES OR EXPENSES WHATSOEVER IS EXCLUDED.

Some states do not allow limitations on how long an implied warranty lasts, or do not allow the exclusions or limitations of incidental or consequential damages, so the above limitations might not apply to you. This limited warranty gives you specific legal rights, and you may also have other legal rights which vary from state to state.

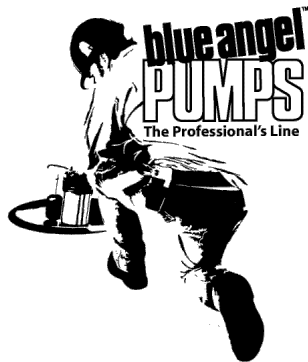
In no event, whether as a result of breach of contract warranty, tort (including negligence) or otherwise, shall Blue Angel™ or its suppliers be liable for any special, consequential, incidental or penal damages including, but not limited to loss of profit or revenues, loss of use of the products or any associated equipment, damage to associated equipment, cost of capital, cost of substitute products, facilities, services or replacement power, downtime costs, or claims of buyer's customers for such damages.

You **MUST** retain your purchase receipt along with this form. In the event you need to exercise a warranty claim, you **MUST** send a **copy** of the purchase receipt along with the material or correspondence. Please call Blue Angel™ (800-237-0987) for return authorization and instructions.

DO NOT MAIL THIS FORM TO WAYNE. Use this form only to maintain your records.

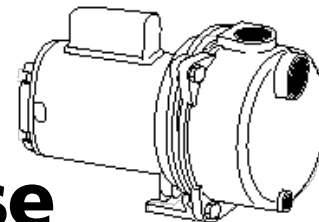
MODEL NO. _____ SERIAL NO. _____ INSTALLATION DATE _____

ATTACH YOUR RECEIPT HERE



S'il vous plaît lire et conserver ces instructions. Lire attentivement avant de monter, installer, utiliser ou de procéder à l'entretien du produit décrit. Se protéger ainsi que les autres en observant toutes les instructions de sécurité, sinon, il y a risque de blessure et/ou dégâts matériels! Conserver ces instructions comme référence.

Pompe Pour Arrosoir De Pelouse



Description

Cette pompe centrifuge de haute capacité à auto-amorçage est convenable pour l'arrosage de pelouses ou autres applications là où de larges quantités d'eau soient exigées. Ne jamais utiliser des liquides inflammables tels que l'essence, des produits chimiques ni de liquides corrosifs avec cette pompe.

Directives De Sécurité

Ce manuel contient de l'information très importante qui est fournie pour la SÉCURITÉ et pour ÉVITER LES PROBLÈMES D'ÉQUIPEMENT. Rechercher les symboles suivants pour cette information.

⚠ DANGER

Danger indique

une situation hasardeuse imminente qui résultera en perte de vie ou blessures graves.

⚠ AVERTISSEMENT

Avertissement

indique une situation hasardeuse potentielle qui peut résulter en perte de vie ou blessures graves.

⚠ ATTENTION

Attention indique

unesituation hasardeuse potentielle qui peut résulter en blessures.

AVIS

Avis indique

l'information importante pour éviter le dommage de l'équipement.

Généralités Sur La Sécurité

1. Lire ces directives et ces instructions attentivement. Manque de suivre ces instructions peut causer de blessures graves et/ou dégâts matériaux.



⚠ DANGER

Cette pompe

n'est pas submersible.

⚠ AVERTISSEMENT



Ne pas pomper les fluides explosifs tels que l'essence, l'huile à chauffage, le kérosène etc. Ne pas utiliser dans un atmosphère inflammable et/ou explosif. La pompe devrait être utilisée pour le pompage de l'eau claire seulement, sinon, il y a risque de blessures personnelles et/ou dégâts matériels.

AVIS

Cette pompe

n'est pas conçue pour les substances qui contiennent les produits chimiques caustiques et/ou les matières étrangères tels que l'eau salée, la saumure, le décharge de buanderie. L'utilisation de ces produits peut endommager la pompe et annuler la garantie.

⚠ AVERTISSEMENT



Toute installation de fils doit être effectuée par un électricien qualifié. La pompe doit être installée conformément aux codes locaux et nationaux.

2. Brancher ce produit à un circuit mis à la terre équipé d'un appareil DDFT.
3. Avant l'installation de ce produit, faire inspecter le circuit électrique par un électricien afin d'assurer la mise à la terre correcte.
4. S'ASSURER que la source de puissance de la pompe soit débranchée avant d'installer ou de procéder à l'entretien de la pompe.
5. Vérifier le réglage de tension de moteur sur la plaque d'extrémité du moteur et s'assurer que la tension de la ligne du courant électrique soit correcte.
6. S'assurer que la source d'eau et la tuyauterie soit libre de sable, saleté



et de dépôts. Le débris peut obstruer la pompe et annuler la garantie.

7. Manque de protéger la pompe et la tuyauterie contre la congélation l'endommagera et annulera la garantie.
8. Ne pas faire fonctionner la pompe sèche. Suivre les instructions d'amorçage.

Installation

Protéger la pompe contre les éléments en installant la pompe dans un sous-sol, garage, cabane à outils ou à pompe. Installer la pompe avec la ligne centrale aussi près que possible au niveau d'eau. Garder l'endroit d'installation sans obstructions afin de fournir l'accès à la pompe pour le service et l'entretien. Protéger la pompe contre l'inondation et l'humidité excessive.

Assurer la ventilation suffisante de la pompe. Pour éviter le déclenchement du moteur, la température des alentours ne devrait pas dépasser 38°C (100°F).

INSTALLATION DE LA TUYAUTERIE

Pour un meilleur résultat, utiliser des nouveaux tuyaux galvanisés ou en plastique. Si vous utilisez un tuyau galvanisé, il est nécessaire de fournir des supports indépendants pour les tuyaux d'aspiration et de décharge près de la pompe afin d'éviter de forcer la pompe. Minimiser l'utilisation de coudes et de raccords pour réduire la perte de friction. Se référer au tableau de perte de friction pour plus d'information.

Augmenter le diamètre de la tuyauterie d'aspiration ou décharge si la longueur est plus que 15,24 mètres.

Pompe Pour Arrosoir De Pelouse

Installation (Suite)

TUYAUTERIE D'ASPIRATION

AVERTISSEMENT Installer un clapet de pied ou un tamis de filtre sur l'arrivée de la tuyauterie d'aspiration.

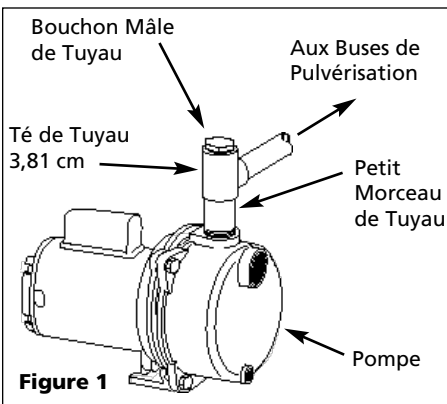
Ne jamais utiliser un tuyau de diamètre plus petit que 5,1 cm pour tuyauterie d'aspiration. Le tuyau d'aspiration doit être libre de fuites.

Pour les courses horizontaux, placer le tuyau de la source d'eau afin que la pente ascendante soit au moins 12,7 cm par mètres. Ceci sert à éliminer la collection d'air. L'arrivée fileté de la pompe est 5,1 cm NPT.

DANGER Ne pas installer la tuyauterie d'aspiration à proximité des endroits de natation.

TUYAUTERIE DE DÉCHARGE

Installer un té de tuyau d'3,81 cm dans le décharge de la pompe afin de permettre l'amorçage facile. Boucher le bout du té situé au sens opposé de la pompe afin de permettre que la tuyauterie de branchement soit dirigé vers les buses de pulvérisation (Voir Figure 1). Enlever le bouchon mâle de tuyau afin de remplir la pompe d'eau pour l'amorçage.



BRANCHEMENT À LA SOURCE D'EAU

La hauteur d'aspiration verticale maximum de la pompe au niveau d'eau est de 7,62 mètres.

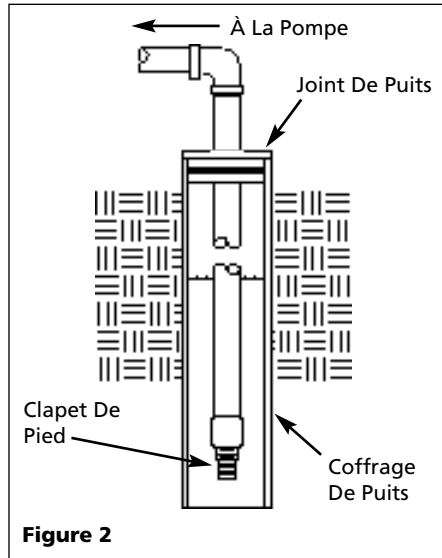


Figure 2

PUITS FORÉ

1. Installer un clapet de pied sur la première section de tuyau (voir Figure 2).
2. Faire baisser le tuyau dans le puits.
3. Ajouter de la tuyauterie jusqu'à ce que le clapet de pied soit 3 mètres sous le niveau d'eau le plus bas prévu.

Des fuites aux joints ou aux accouplements permettront que l'air entre le tuyau et peuvent causer le mauvais fonctionnement de la pompe. S'assurer d'utiliser du mastic pour joints ou du ruban Teflon® sur tous les raccords.

ATTENTION Situer le clapet de pied plus que 0,61 mètres du fond du puits afin d'empêcher l'aspiration de sable ou de sédiment.

4. Une fois que la profondeur correcte soit atteinte, installer un joint de puits ou un adaptateur pour soutenir le tuyau.
5. Incliner le tuyau horizontal en haut vers la pompe afin d'éliminer la collection d'air.
6. Si un clapet de pied est utilisé, l'utilisation d'un té d'amorçage et d'un bouchon mâle en haut du joint de puits est recommandé.

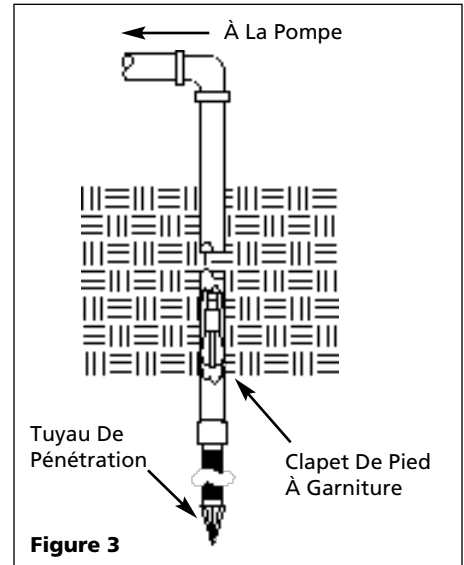


Figure 3

PUITS FICHÉ

1. Ficher le point plusieurs pieds sous le niveau hydrostatique.

REMARQUE: Un clapet de pied à garniture peut être installé dans le puits (Voir Figure 3). Ce type de clapet de pied permet que le tuyau de puits se remplisse d'eau pendant l'amorçage et permet l'inspection facile du tuyau d'arrivée pour des fuites. Suivre les instructions du fabricant pour l'installation du clapet de pied à garniture.

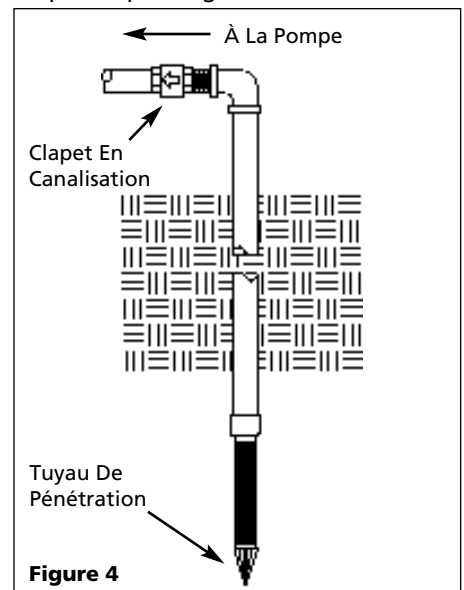


Figure 4

Série BWLS

Installation (Suite)

En option, un clapet en canalisation peut être utilisé avec un puits fiché (Voir Figure 4).

Il peut être nécessaire de fournir la pompe avec des pointes de pénétration multiples afin de soutenir le haut débit de cette pompe. Consulter un plombier professionnel pour les matériaux et les instructions de montage convenables.

Les fuites dans les joints ou les accouplements permettront que l'air entre le tuyau ce qui peut causer le pauvre rendement de la pompe. Utiliser du mastic pour joints ou du ruban Teflon® sur tous les raccords.

Installation Pour Puits Creusés, Réservoirs, Lacs Et Sources

1. Installer un clapet de pied sur le tuyau d'admission et le baisser dans l'eau.

ATTENTION *Situer le clapet de pied au moins 2 pieds du fond de la source d'eau afin que la sable ou le sédiment ne soient pas tirés dans le système.*

REMARQUE: Lorsque la source d'eau utilisée est un lac, s'assurer que le tuyau d'aspiration soit assez creux et toujours submergé. Incliner le tuyau en haut vers la pompe afin d'éliminer l'aspiration d'air. Le tuyau doit être enlevé pendant les mois d'hiver ou protégé contre la congélation.

AVERTISSEMENT *Protéger le tuyau contre le dommage des nageurs et des bateaux.*

Raccordements Électriques

Brancher la pompe à un circuit électrique séparé ayant un disjoncteur unique. Se référer aux spécifications électriques sur le tableau d'installation de fils pour le disjoncteur et tailles de fils recommandés.

L'installation et l'entretien des fils pour cette pompe doivent conformer au code National (National Electrical code) et tous codes électriques locaux.

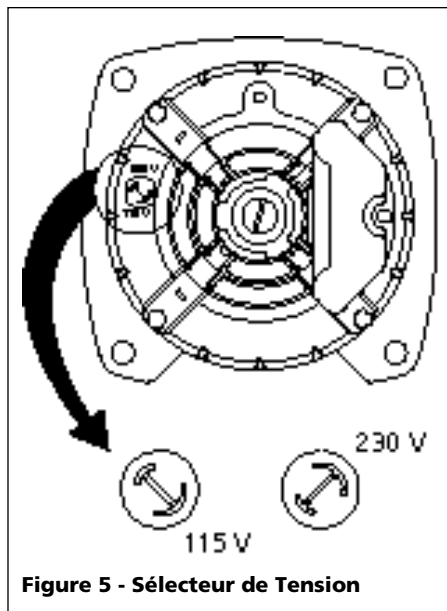


Figure 5 - Sélecteur de Tension

Le moteur doit être mis à la terre en branchant un fil conducteur en cuivre à la vis mise à la terre fournie à l'intérieur de la boîte d'installation de fils.

La tension de la source d'alimentation doit correspondre avec la tension de la pompe. Le BWLS75, BWLS100 et BWLS150 ont des moteurs à double tension réglés d'avance à l'usine à 230 volts. Les modèles peuvent être transformés à 115 volts en tournant le sélecteur de tension à la tension désirée (Voir la Figure 5). Utiliser des pinces à long bec et tirer le sélecteur environ 6,4 mm, tourner, et le fixer dans la position correcte. **Le BWLS200 ne peut pas être transformé, le moteur est seulement 230 volts.**

Fonctionnement

ATTENTION *Ne jamais faire fonctionner la pompe sèche. Le fonctionnement de la pompe sans eau peut causer du dommage aux joints. Remplir la pompe avec de l'eau avant le démarrage.*

AMORÇAGE DE LA POMPE

Une fois que l'installation soit complète, la pompe doit être amorcée. Enlever le bouchon mâle de tuyau dans la tuyauterie de décharge et remplir la pompe et le tuyau d'aspiration avec de l'eau propre. Mettre la pompe en marche. Si la pompe ne pompe pas d'eau dans 10 minutes, couper la pompe et remplir à nouveau avec de

TABLEAU D'INSTALLATION DE FILS - TAILLES DE FILS ET FUSIBLES

Modèle	HP	Volts	Ampères De Charge Max.	Ampères De Fusibles	Distance en Mètres du Moteur à la Source			
					0	15,5	30,8	61,3
					15,2	30,5	61	91,4
					(Taille de Fil AWG)			
BWLS75	3/4	115	13.5	20	12	12	10	10
		230	7.0	15	14	14	12	12
BWLS100	1	115	14.8	20	12	12	10	10
		230	7.4	15	14	14	12	12
BWLS150	1-1/2	115	17.0	30	10	10	8	8
		230	8.5	15	14	14	12	12
BWLS200	2	230	12.0	15	14	14	12	12

Pompe Pour Arrosoir De Pelouse

l'eau propre.

Fonctionnement (Suite)

Si la pompe ne fonctionne pas après plusieurs essais, vérifier que:

1. La distance verticale de la pompe au niveau d'eau ne doit pas dépasser 7,6 mètres.
2. La tuyauterie d'aspiration doit être étanche.
3. S'assurer que la(les) soupape(s) soient ouverte(s) si utilisée(s) dans la tuyauterie de décharge ou d'aspira-

tion.

ATTENTION *Ne jamais faire fonctionner la pompe si le décharge est fermé ou obstrué. L'eau dans la pompe peut bouillir et endommager la pompe.*

Entretien

Conserver la ventilation suffisante pour le moteur de la pompe. Les roulements du moteur sont graissés en permanence à l'usine. Aucun graissage additionnel

est exigé.

PURGER POUR L'HIVER

Toujours protéger la pompe et la tuyauterie contre la congélation. S'il y a danger de congélation, purger le système:

1. Enlever le bouchon mâle de tuyau du té de décharge.
2. Enlever le bouchon d'6,4 mm du bas de la face supérieure de la pompe.
3. Purger toute la tuyauterie située sous le niveau de gelée.

Capacité de Pompe 3/4 HP en litres/heure			
Hauteur en mètres	Pression de Service (kPa)		
	69	138	207
1,5	14,761	12,566	8,781
3	14,308	11,810	7,949
4,6	13,627	11,015	4,504
6,1	12,302	10,107	3,747
7,6	11,394	9,690	3,179

Capacité de Pompe 1 HP en litres/min			
Hauteur en mètres	Pression de Service (kPa)		
	69	138	207
1,5	16,693	14,838	9,728
3	15,823	13,324	8,706
4,6	14,498	12,643	6,738
6,1	13,930	11,583	4,391
7,6	12,643	10,296	4,769

Capacité de Pompe 1-1/2 HP en litres/min				
Hauteur en mètres	Pression de Service (kPa)			
	69	138	207	276
1,5	18,132	16,958	13,173	7,797
3	17,450	16,315	12,075	5,753
4,6	16,352	15,293	10,977	0
6,1	14,763	14,081	10,144	0
7,6	14,422	12,491	9,047	0

Capacité de Pompe 2 HP en litres/min				
Hauteur en mètres	Pression de Service (kPa)			
	69	138	207	276
1,5	22,636	21,046	16,315	11,583
3	20,479	19,759	15,482	10,901
4,6	19,797	18,851	14,763	9,728
6,1	15,595	14,535	13,286	8,365
7,6	15,065	13,627	12,491	0

Taille de Tuyau	Perte de Friction kPa dans 30,5 mètres de Tuyauterie en Plastique*								
	4,542	5,678	6,814	9,085	11,356	13,627	18,170	22,712	27,255
1-1/4 po	17,9	26,9	37,9	64,8	97,2				
1-1/2 po	8,3	17,9	30,3	46,2	64,8	109,6			
2 po		4,1	5,5	8,9	13,8	19,3	32,4	48,9	68,9
2-1/2 po			4,1	5,5	8,3	8,9	20,7	28,9	

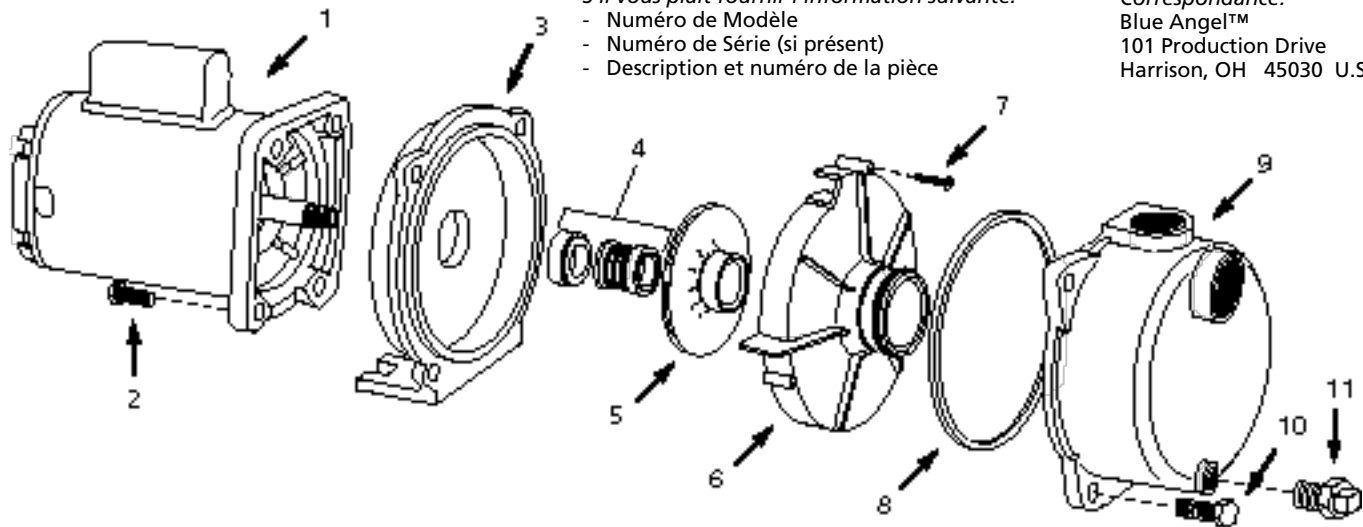
* Multiplier par 1,8 pour les tuyaux en acier

Série BWLS

Guide De Dépannage

Symptôme	Cause(s) Possible(s)	Mesure Corrective
Le moteur ne fonctionne pas	<ol style="list-style-type: none"> 1. Le sectionneur n'est pas en marche 2. Fusible sauté 3. L'interrupteur d'allumage est défectueux 4. Les fils au moteur sont desserrés, débranchés ou installés incorrectement 	<ol style="list-style-type: none"> 1. S'assurer que le sectionneur est en marche 2. Remplacer la fusible 3. Remplacer l'interrupteur d'allumage 4. Se référer aux instructions d'installation de fils. Vérifier et serrer tous les fils <p>⚠️ AVERTISSEMENT <i>La tension du condensateur peut être hasardeux. Pour décharger le condensateur, toucher les bornes courts du condensateur avec un tournevis isolant. S'ASSURER de tenir la manche du tournevis pendant le contact aux bornes du condensateur.</i></p>
Le moteur fonctionne chaud et l'appareil de déclenchement se déclenche	<ol style="list-style-type: none"> 1. L'installation de fils du moteur est incorrect 2. Tension trop basse 3. Station de pompage insuffisamment ventilée 	<ol style="list-style-type: none"> 1. Se référer aux instructions d'installation de fils 2. Consulter la compagnie d'électricité. Installer des fils plus lourds si la taille de fil est trop petite (Voir Tableau d'Installation de Fils) 3. S'assurer que la pompe soit suffisamment ventilée pour refroidir le moteur
Le moteur fonctionne, mais il n'y a pas de débit d'eau Remarque: Vérifier l'amorçage en premier lieu. Dévisser le bouchon d'amorçage et vérifier la présence d'eau dans le trou d'amorçage	<ol style="list-style-type: none"> 1. La pompe dans la nouvelle installation ne s'est pas amorcée à cause de: <ol style="list-style-type: none"> a. L'amorçage incorrect b. Fuites d'air c. Fuite de clapet de pied 2. La pompe a perdu son amorçage à cause de: <ol style="list-style-type: none"> a. fuites d'air b. niveau d'eau sous le niveau d'aspiration de la pompe 3. Turbine obstruée 4. Vérifier si le clapet ou le clapet de pied est pris dans la position fermée 5. Tuyaux congelés 6. Clapet de pied et/ou tamis sont enterrés dans le sable ou la boue 	<ol style="list-style-type: none"> 1. Installation nouvelle: <ol style="list-style-type: none"> a. Amorcer à nouveau selon les instructions b. Vérifier tous les raccordements sur la ligne d'aspiration c. Remplacer le clapet de pied 2. Installations en existence: <ol style="list-style-type: none"> a. Vérifier tous les branchements sur la ligne d'aspiration et du joint d'arbre b. Baisser la ligne d'aspiration dans l'eau et amorcer à nouveau. Si l'eau dans le puits diminue et dépasse la hauteur d'aspiration, une pompe de puits profond est exigé 3. Nettoyer la turbine 4. Remplacer le clapet ou le clapet de pied 5. Dégeler les tuyaux. Enterrer les tuyaux sous le niveau de la gelée. Faire chauffer la fosse ou la cabanne de pompe 6. Soulever le clapet de pied et/ou le tamis au dessus du fond du puits
La pompe ne fournit pas d'eau à pleine capacité	<ol style="list-style-type: none"> 1. Le niveau d'eau dans le puits est plus bas qu'estimé 2. La tuyauterie en acier (si utilisée) est rouillée ou encrassée et cause un excès de friction 3. La tuyauterie est trop petite 	<ol style="list-style-type: none"> 1. Une pompe à jet pour puits profond peut être nécessaire (plus que 7,6 mètres à l'eau) 2. Remplacer avec la tuyauterie en plastique là où possible ou avec la tuyauterie nouvelle en acier 3. Utiliser la tuyauterie plus large

Pour Pièces de Rechange, composer 1-800-237-0987



S'il vous plaît fournir l'information suivante:

- Numéro de Modèle
- Numéro de Série (si présent)
- Description et numéro de la pièce

Correspondance:
 Blue Angel™
 101 Production Drive
 Harrison, OH 45030 U.S.A.

N° Réf.	Description	Numéro de Pièce pour Modèles:				Qté.
		BWLS75	BWLS100	BWLS150	BWLS200	
1	Moteur	32031-001	32015-001	32020-001	32021-001	1
2	Vis d'assemblage hexagonale, 3/8-16 x 1 po	16334	16334	16334	16334	4
3	Plaque de joint	41011-001	41011-001	41011-001	41011-001	1
4	Montage de joint d'arbre	15559-002	15559-002	15559-002	15559-002	1
5	Turbine	29806-001	29805-001	29804-001	29803-001	1
6	Diffuseur	29807-001	29807-001	29807-001	29807-001	1
7	Vis Phillips 10-24 x 1 po	67017-001	67017-001	67017-001	67017-001	3
8	Bague carrée	19013-001	19013-001	19013-001	19013-001	1
9	Volute	41010-001	41010-001	41010-001	41010-001	1
10	Vis d'assemblage hex. 7/16-16 x 1.25 po	67018	67018	67018	67018	4
11	Bouchon mâle de tuyau à t. carré 1/4 po NPT	16314-002	16314-002	16314-002	16314-002	1

Garantie Limitée

Pour un an à compter de la date d'achat, Blue Angel™ vas réparer ou remplacer, à son option, pour l'acheteur original n'importe quelle pièce ou pièces de ces Pompes De Puisard ou Pompes À Eau ("Produit") déterminées défectueuses, par Blue Angel™, en matière ou en fabrication. S'il vous plaît appeler Blue Angel™ (800-237-0987) pour des instructions ou contacter votre marchand. S'assurer d'avoir, à votre disposition, le numéro du modèle afin d'effectuer cette garantie. Les frais de transportation des Produits ou pièces soumis pour la réparation ou le remplacement sont la responsabilité de l'acheteur.

Cette Garantie Limitée ne couvre pas les Produits qui se sont fait endommagés en résultat d'un accident, utilisation abusive, mauvais usage, négligence, l'installation incorrecte, entretien incorrect, ou manque d'utilisation conformément aux instructions écrit de Blue Angel™.

IL N'EXISTE AUCUNE AUTRE GARANTIE OU AFFIRMATION. LES GARANTIES EXPRIMÉES, Y COMPRIS CELLES DE COMMERCIALISABILITÉ ET D'ADAPTION À UNE FONCTION PARTICULIÈRE, SONT LIMITÉES À UN AN À COMPTER DE LA DATE D'ACHAT. CECI EST LA REMÈDE EXCLUSIVE ET N'IMPORTE QUELLE RESPONSABILITÉ POUR N'IMPORTE QUEL ET TOUT DOMMAGES INDIRECTS OU DÉPENSES QUOI QUE SE SOIT EST EXCLUS.

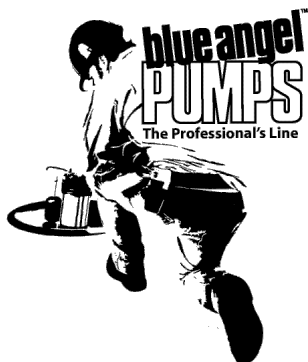
Certaines Provinces n'autorisent pas de limitations de durée pour les garanties implicites, ni l'exclusion ni la limitation des dommages fortuits ou indirects. Les limitations précédentes peuvent donc ne pas s'appliquer. Cette garantie limitée donne, à l'acheteur, des droits légaux précis, et vous pouvez avoir autres droits légaux qui sont variable d'une Province ou d'un État à l'autre.

En aucun cas, soit par suite d'un rupture de contrat de garantie, acte dommageable (y compris la négligence) ou autrement, ni Blue Angel™ ou ses fournisseurs seront responsables pour aucune dommage spéciale, incidentel ou pénal, y compris, mais pas limité à la perte de profits ou recettes, la perte d'usage des produits ou n'importe quel équipement associé, dommage à l'équipement associé, coût de capital, coût de produits remplaçants, aménagements, services ou abilité de remplacement, coût de temps que le produit n'est pas en service, ou la réclamation des clients de l'acheteur pour ces dommages.

Vous **DEVEZ** garder votre facture d'achat avec ce bulletin. Il est **NÉCESSAIRE** d'envoyer une **COPIE** de la recette d'achat avec le matériel ou correspondance afin d'effectuer une réclamation de la garantie. S'il vous plaît appeler Blue Angel™ (800-237-0987) pour l'autorisation et instructions concernant le renvoi.

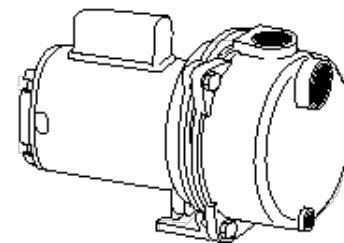
NE PAS ENVOYER, PAR LA POSTE, CE BULLETIN À WAYNE. Utiliser ce bulletin seulement pour vos archives.

N° DU MODÈLE _____ N° DE SÉRIE _____
 DATE D'INSTALLATION _____
 FIXER VOTRE FACTURE ICI



Sírvase leer y guardar estas instrucciones. Lea con cuidado antes de tratar de armar, instalar, manejar o darle servicio al producto descrito en este manual. Protéjase Ud. y a los demás observando todas las reglas de seguridad. El no seguir las instrucciones podría resultar en heridas y/o daños a su propiedad. Guarde este manual como referencia.

Bomba para Regar Césped



Descripción

Estas bombas centrifugas, de alta capacidad, con sistema de cebado automático, están diseñadas para regar césped u otras aplicaciones donde se requieran grandes cantidades de agua. Esta bomba no se debe utilizar para rociar líquidos inflamables tales como gasolina, químicos o líquidos corrosivos.

Medidas de seguridad

Este manual contiene información que es muy importante que sepa y comprenda. Esta información se la suministramos como medida de SEGURIDAD y para EVITAR PROBLEMAS CON EL EQUIPO. Debe reconocer los siguientes símbolos.

PELIGRO

Esto le indica

que hay una situación inmediata que LE OCASIONARIA la muerte o heridas de gravedad.

ADVERTENCIA

Esto le indica

que hay una situación que PODRIA ocasionarle la muerte o heridas de gravedad.

PRECAUCION

Esto le indica

que hay una situación que PODRIA ocasionarle heridas no muy graves.

AVISO

Esto le indica

una información importante, que de no seguirla, le podría ocasionar daños al equipo.

Informaciones Generales de Seguridad

1. Lea estas instrucciones con cuidado. Si no sigue estas instrucciones podría sufrir heridas de gravedad y/o daños a su propiedad.



PELIGRO

Esta bomba

no es sumergible.

ADVERTENCIA

Úsela sólo para bombear agua limpia. No la use para bombear líquidos inflamables o explosivos tales como gasolina, combustibles, Kerosene, etc. No la use en atmósferas inflamables o explosivas. Esto podría ocasionarle heridas y/o daños a su propiedad.



AVISO

Esta bomba

no está diseñada para bombear agua salada, salmuera, agua con detergentes o para ningún tipo de aplicación donde el agua pueda contener químicos cáusticos y/o desperdicios. Esto podría dañar la bomba y cancelaría la garantía.

ADVERTENCIA

Todos los trabajos de alambado los debe hacer un electricista calificado.



2. Conecte esta bomba a un circuito conectado a tierra que esté equipado con un interruptor de desconexión automática.
3. Antes de instalar esta bomba, un electricista calificado debe chequear el circuito eléctrico para verificar que esté conectado a tierra adecuadamente.
4. CERCIORESE de que la bomba esté desconectada del tomacorrientes antes de instalarla o darle servicio.
5. Chequee el voltaje indicado en la placa del motor y cerciórese de que el voltaje de la corriente eléctrica sea el adecuado.



6. Cerciórese de que el agua suministrada y las tuberías no tengan residuos de arena, impurezas o scale. Los residuos de basura atascarían la bomba y la garantía quedaría cancelada.
7. Evite que la bomba y las tuberías se congelen porque si esto ocurre podría ocasionarle daños severos a la bomba y la garantía quedaría cancelada.
8. No encienda la bomba antes de cebarla. Siga las instrucciones al respecto.

Instalación

Proteja la bomba contra las inclemencias del tiempo instalándola en el sótano, garaje o cobertizo. Instálela de modo que el centro de la bomba esté lo más cerca posible al nivel de agua. Mantenga el área despejada de modo que esté accesible para darle servicio y mantenimiento. Proteja la bomba contra inundaciones y excesos de humedad.

Cerciórese de que la bomba tenga ventilación adecuada. La temperatura ambiental no debe exceder 38°C (100°F) o el motor se puede comenzar a apagar constantemente.

INSTALACION DE LAS TUBERIAS

Use tuberías nuevas para obtener mejores resultados. Puede usar tuberías galvanizadas o plásticas. Si utiliza tuberías galvanizadas, debe instalarles soportes independientes tanto a las tuberías de succión como a las de descarga, lo más cerca posible a la bomba, para evitar que ésta se fuerce excesivamente. Reduzca el uso de codos y conectores para reducir la pérdida debido a fricción. Vea la información específica al respecto en la tabla de fricción.

Bomba para Regar Césped

Instalación (Continuación)

Si la longitud de las tuberías es más de 15,2 metros (50') debe aumentar el diámetro de las tuberías de descarga.

TUBERIAS DE SUCCION

ADVERTENCIA Instálele una válvula de pie o un colador en la entrada de la tubería de succión.

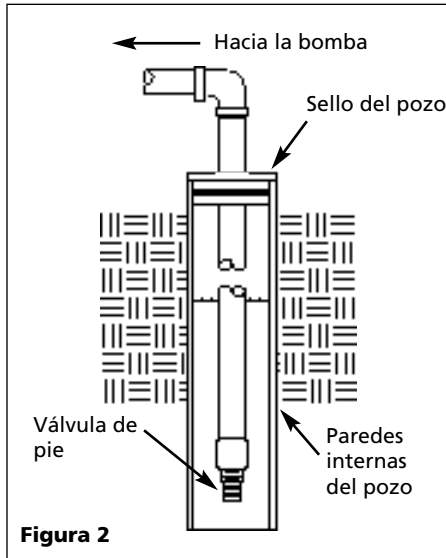
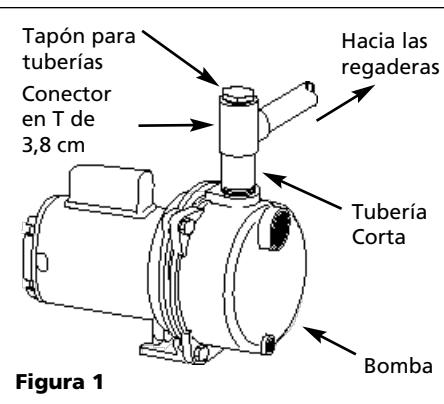
Nunca use tuberías de menos de 5,1 cm (2") de diámetro en el sistema de succión. Debe evitar las fugas de aire en las tuberías de succión.

Las tuberías horizontales se deben instalar de modo que tengan una inclinación hacia arriba de por lo menos 12,7 mm (1/2") por cada pie de longitud. Ésto elimina la acumulación de aire en las tuberías. El orificio de entrada donde se conecta la tubería a la bomba es de 5,1 cm (2") NPT.

PELIGRO No instale las tuberías de succión cerca de áreas donde se nade.

TUBERIAS DE DESCARGA

Instale un conector en T de 3,8 cm en el orificio de salida para facilitar el proceso de cebar la bomba. Coloque un tapón en el orificio del lado opuesto a la bomba de modo que el agua se dirija hacia las regaderas (Vea la Figura 1). Quitele el tapón cuando vaya a llenar de agua la bomba para cebarla.



CONEXION A LA FUENTE DE AGUA

La altura máxima de succión entre la bomba y el nivel de agua es de 7,6 metros (25').

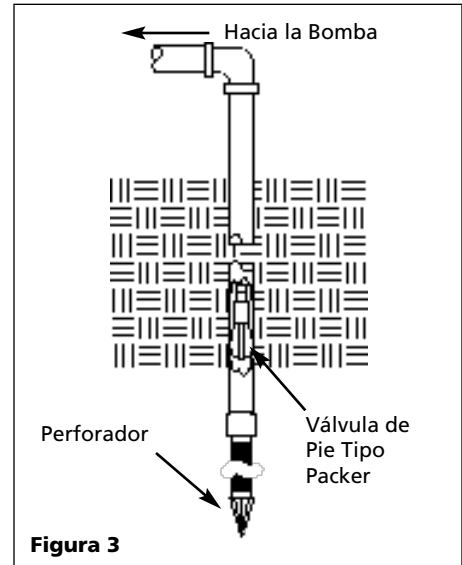
POZOS TALADRADOS

1. Instale una válvula de pie en la primera sección de la tubería (vea la Figura 2).
2. Coloque la tubería dentro del pozo.
3. Añada tubos hasta que la válvula de pie esté a 3,05 metros por debajo del nivel de agua más bajo anticipado.

Si hay fugas en las conexiones le entrará aire a las tuberías ocasionando que la bomba no funcione bien. Cerciérese de sellar todas las conexiones con selladores de tuberías o cinta de Teflón®.

PRECAUCION Para evitar la entrada de arena o sedimentos al sistema la distancia mínima entre la válvula de pie y el fondo del pozo es de 2 pies del fondo del pozo.

4. Después de alcanzar la profundidad adecuada, instale un sello para pozos o un adaptador para pozos sin fondo para sostener las tuberías.
5. Incline las tuberías horizontales hacia arriba para evitar la acumulación de aire.

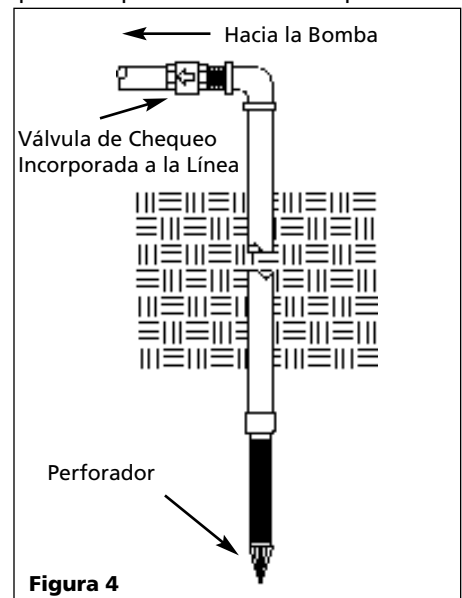


6. Cuando use una válvula de pie, es recomendable que instale una conexión en T y un tapón antes del sello del pozo.

POZOS EXCAVADOS

1. Excave varios pies por debajo del nivel de agua freática.

NOTA: Puede instalar una válvula de pie tipo packer en el pozo (Vea la Figura 3). Este tipo de válvula de pie permite que la tuberías en el pozo se



Serie BWLS

Instalación (Continuación)

llenen de agua durante el proceso de cebar la bomba y le facilita chequear si hay fugas en la tubería de entrada. Siga las instrucciones del fabricante para instalar la válvula de pie tipo packer.

Igualmente, puede usar una válvula de chequeo incorporada a la línea en los pozos excavados (Vea la Figura 4).

Quizás sea necesario conectar la bomba al pozo en varios puntos para mantener su alta capacidad de flujo. Consúltele a un plomero profesional sobre los materiales adecuados y las instrucciones para instalarla.

Si hay fugas en las conexiones le entrará aire a las tuberías ocasionando que la bomba no funcione bien. Cerciórese de sellar todas las conexiones con selladores de tuberías o cinta de Teflón®.

Para instalar la bomba en pozos excavados, Cisternas, Lagos y Manantiales

1. Instálele una válvula de pie a la tubería de entrada y métala dentro del agua.

PRECAUCION No ubique la válvula de pie a menos de 0,61 metros del fondo de la fuente de agua para evitar que entren al sistema residuos de arena u otros sedimentos

NOTA: Si la fuente de suministro de agua es un lago, cerciórese de que la

tubería de succión sea suficientemente larga para que siempre permanezca sumergida. Incline la tubería hacia arriba en dirección a la bomba para evitar las acumulaciones de aire. Debe sacar la tubería durante el invierno para evitar que se congele.

ADVERTENCIA Proteja las tuberías para evitar que personas nadando o en botes las dañen.

Conecciones Eléctricas

Conecte la bomba a un circuito eléctrico independiente que tenga un cortacircuito exclusivo. Vea las indicaciones al respecto en la tabla de especificaciones del circuito eléctrico y alambrado.

Instale y mantenga el sistema eléctrico de esta bomba según los códigos nacionales y locales al respecto.

El motor se debe conectar a tierra con un conductor de cobre conectado al tornillo de conexión a tierra suministrado en el compartimiento de alambres.

El voltaje de la fuente de suministro eléctrico debe ser similar al de la bomba. Los modelos BWLS75, BWLS100 y BWLS150 le ofrecen un sistema de voltaje doble y vienen de fábrica para funcionar a 230 voltios. Para conectarlas a circuitos de 115 voltios simplemente gire la perilla al voltaje deseado (Vea la Figura 5). Use una pinza (alicate) de punta afilada para halar la perilla aproximadamente un 6,4 mm (1/4"), gírela y colóquela en su posición correcta. **EI**

modelo BWLS200 no se puede modificar; esta bomba sólo funciona con

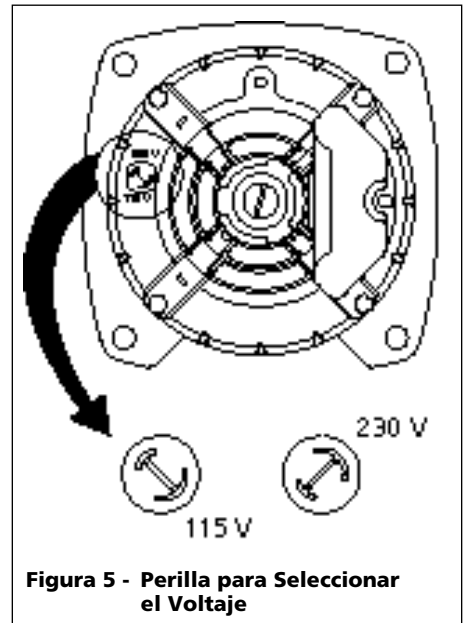


Figura 5 - Perilla para Seleccionar el Voltaje

230 voltios.

Funcionamiento

PRECAUCION Nunca use la bomba en seco. El hacerlo podría dañar los sellos. Llene la bomba de agua antes de encenderla.

PARA CEBAR LA BOMBA

Después de terminar de instalar la bomba deberá cebarla. Qítele el tapón a la tubería de descarga y llene la bomba y la tubería de succión de

TABLA DE ALAMBRADO - ALAMBRES Y FUSIBLES RECOMENDADOS

Modelo	CP	Voltios	Amperios Máximos Amps	Amperaje de los fusibles	Distancia entre el Motor y la Fuente (en Metros)			
					0	15,5	30,8	61,3
					15,2	30,5	61	91,4
					(Calibre del Alambre AWG)			
BWLS75	3/4	115	13,5	20	12	12	10	10
		230	7,0	15	14	14	12	12
BWLS100	1	115	14,8	20	12	12	10	10
		230	7,4	15	14	14	12	12
BWLS150	1-1/2	115	17,0	30	10	10	8	8
		230	8,5	15	14	14	12	12
BWLS200	2	230	12,0	15	14	14	12	12

Bomba para Regar Césped

agua limpia. Encienda la bomba. Si la

Funcionamiento (Continuación)

bomba no comienza a bombear agua en 10 minutos, apáguela y llénela de agua limpia una vez más.

Si la bomba no funciona después de varios intentos, chequee lo siguiente:

1. La distancia vertical entre la bomba y el nivel de agua no debe ser más de 7,6 metros (25').
2. Las tuberías de succión deben estar apretadas herméticamente.

3. Cerciórese de que la(s) válvula(s) de las tuberías de descarga o de succión estén abiertas (de haberlas).

PRECAUCION

Nunca use la

bomba si las tuberías de descarga están cerradas u obstruidas. El agua dentro de la bomba podría hervir y dañar la bomba.

Mantenimiento

El motor de la bomba debe mantenerse bien ventilado. Los cojinetes del motor vienen de fábrica lubricados de por vida. Éstos no necesitan lubricación adicional.

DURANTE EL INVIERNO

Siempre proteja la bomba y las tuberías

contra temperaturas congelantes. Si hay peligro de que se congelen, drene el sistema. Para drenar el sistema:

1. Quítele el tapón al conector en T de la tubería de descarga.
2. Quítele el tapón de 6,4 mm (1/4") ubicado en la parte inferior del frente de la bomba.
3. Drene todas las tuberías ubicadas por debajo de la línea de congelamiento.

Capacidad de las Bombas de 3/4 CP en Litros/Hora	Presión de Trabajo (bar)		
	0,69	1,38	2,07

Distancia en Metros	0,69	1,38	2,07
1,5	14,761	12,566	8,781
3	14,308	11,810	7,949
4,6	13,627	11,015	4,504
6,1	12,302	10,107	3,747
7,6	11,394	9,690	3,179

Capacidad de las Bombas de 1 CP en Litros/Hora	Presión de Trabajo (bar)		
	0,69	1,38	2,07

Distancia en Metros	0,69	1,38	2,07
1,5	16,693	14,838	9,728
3	15,823	13,324	8,706
4,6	14,498	12,643	6,738
6,1	13,930	11,583	4,391
7,6	12,643	10,296	4,769

Capacidad de las Bombas de 1-1/2 CP en Litros/Hora	Presión de Trabajo (bar)			
	0,69	1,38	2,07	2,76

Distancia en Metros	0,69	1,38	2,07	2,76
1,5	18,132	16,958	13,173	7,797
3	17,450	16,315	12,075	5,753
4,6	16,352	15,293	10,977	0
6,1	14,763	14,081	10,144	0
7,6	14,422	12,491	9,047	0

Capacidad de las Bombas de 2 CP en Litros/Hora	Presión de Trabajo (bar)			
	0,69	1,38	2,07	2,76

Distancia en Metros	0,69	1,38	2,07	2,76
1,5	22,636	21,046	16,315	11,583
3	20,479	19,759	15,482	10,901
4,6	19,797	18,851	14,763	9,728
6,1	15,595	14,535	13,286	8,365
7,6	15,065	13,627	12,491	0

Diám. del Tubo	Pérdida debido a la fricción por cada 30,5 metros de tubos de plástico bar *								
	4,542	5,678	6,814	(Litres por Hora)		13,627	18,170	22,712	27,255

3,2 cm (1-1/4")	0,179	0,269	0,379	0,648	0,972				
3,8 cm (1-1/2")	0,083	0,179	0,303	0,462	0,648	1,096			
5,1 cm (2")		0,041	0,055	0,089	0,138	0,193	0,324	0,489	0,689
6,4 cm (2-1/2")				0,041	0,055	0,083	0,089	0,207	0,289

* Multiplique por 1,8 si usa tubos de acero

Serie BWLS

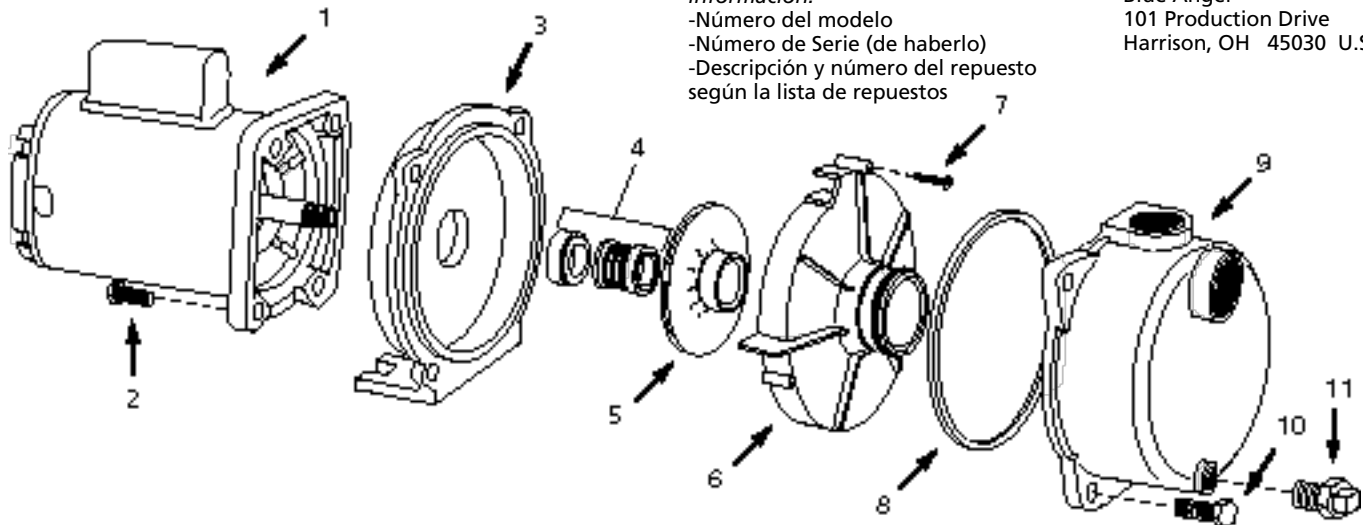
Diagnóstico de Averías

Problema	Posible(s) Causa(s)	Acción a Tomar
El motor no funciona	<ol style="list-style-type: none"> 1. El interruptor está en "off" (apagado) 2. El fusible está quemado 3. El interruptor está dañado 4. Los cables eléctricos del motor están flojos, desconectados o mal conectados 	<ol style="list-style-type: none"> 1. Cerciórese de que el interruptor esté en "ON" (encendido) 2. Reemplace el fusible 3. Reemplace el interruptor 4. Ve a las instrucciones del alambrado. Chequee y conecte bien todos los alambres <p>⚠ ADVERTENCIA <i>El voltaje del capacitador podría ser peligroso. Para descargarlo tóquelo con un desarmador aislado. CERCIORESE de sostener el desarmador por el mango aislado cuando esté haciendo contacto con los terminales del capacitador.</i></p>
El motor se recalienta y el sistema de protección lo apaga	<ol style="list-style-type: none"> 1. Los cables del motor están mal conectados 2. El voltaje es muy bajo 3. La envoltura de la bomba no está bien ventilada 	<ol style="list-style-type: none"> 1. Ve a las instrucciones del alambrado 2. Consúltelo a la compañía de electricidad. Instale alambres más resistentes si los disponibles no son adecuados (Vea la tabla de alambrado) 3. Cerciórese de que la bomba tenga suficiente ventilación para enfriar el motor
El motor funciona pero la bomba no suministra agua Nota: Ante todo chequee el sistema de cebado. Sáquele el tornillo del sistema de cebado y vea si el orificio está lleno de agua.	<ol style="list-style-type: none"> 1. Después de instalar la bomba en un sitio diferente, la bomba no completó el proceso de cebado debido a: <ol style="list-style-type: none"> a. Cebado incorrecto b. Fugas de aire c. Fugas en la válvula de pie 2. La bomba perdió el cebado debido a: <ol style="list-style-type: none"> a. Fugas de aire b. El nivel de agua inferior a la distancia de succión de la bomba 3. La propela está obstruída 4. La válvula de chequeo o la válvula de pie están atas-cadas en la posición cerrada 5. Las tuberías están congeladas 6. La válvula de pie y/o el colador están enterrados en arena o lodo 	<ol style="list-style-type: none"> 1. Instalación nueva: <ol style="list-style-type: none"> a. Siga las instrucciones para cebar la bomba b. Chequee todas las conexiones de la línea de succión c. Reemplace la válvula de pie 2. Instalaciones actuales: <ol style="list-style-type: none"> a. Chequee todas las conexiones de la línea de succión y el sello del eje b. Baje la línea de succión y cebe la bomba una vez más. Si no logra alcanzar el nivel del agua en el tanque con la tubería de succión, deberá utilizar una bomba para pozos profundos 3. Limpie la propela 4. Reemplace las válvulas de chequeo o de pie 5. Descongele las tuberías. Entiérrela por debajo de la línea de congelamiento. Caliente el pozo o el sitio donde tenga almacenada la bomba 6. Coloque la válvula de pie y/o el colador por encima del fondo del pozo
La bomba no le suministra agua a la capacidad máxima	<ol style="list-style-type: none"> 1. El nivel de agua del pozo es inferior a lo estimado 2. Las tuberías de acero (de usarlas) están oxidadas o alcalizadas, ocasionando fricción excesiva 3. Las tuberías son muy pequeñas 	<ol style="list-style-type: none"> 1. Quizás necesite usar una bomba de propulsión para pozos profundos (si el agua está a más de 7,6 metros (25')) 2. Reemplace las tuberías con tuberías de plástico donde sea posible, de lo contrario use tuberías de acero nuevas 3. Use tuberías más anchas

Para ordenar repuestos comuníquese con el distribuidor más cercano a su domicilio

Sírvase suministrarnos la siguiente información:
 -Número del modelo
 -Número de Serie (de haberlo)
 -Descripción y número del repuesto según la lista de repuestos

Puede escribirnos a:
 Blue Angel™
 101 Production Drive
 Harrison, OH 45030 U.S.A.



No. de Ref.	Descripción	Para los Modelos:				Ctd.
		BWLS75	BWLS100	BWLS150	BWLS200	
1	Motor	32031-001	32015-001	32020-001	32021-001	1
2	Tornillo Hex. de 9,5 mm (3/8") -16 x 2,5 cm (1")	16334	16334	16334	16334	4
3	Placa selladora	41011-001	41011-001	41011-001	41011-001	1
4	Ensamblaje del sello del eje	15559-002	15559-002	15559-002	15559-002	1
5	Propela	29806-001	29805-001	29804-001	29803-001	1
6	Difusor	29807-001	29807-001	29807-001	29807-001	1")
7	Tornillo tipo Phillips de 10-24 x 2,5 cm (1")	67017-001	67017-001	67017-001	67017-001	3
8	Anillo cuadrado	19013-001	19013-001	19013-001	19013-001	1
9	Voluta	41010-001	41010-001	41010-001	41010-001	1
10	Tornillo Hex. de 11,1 mm (7/16") -16 x 3,2 cm (1.25")	67018	67018	67018	67018	4
11	Tapón de 6,4 mm (1/4") NPT	16314-002	16314-002	16314-002	16314-002	1

Garantía Limitada

Durante un año a partir de la fecha de compra del comprador original, la compañía Blue Angel™ reparará o reemplazará, según lo decida, cualquier pieza de esta bomba de desagüe o bomba de agua que se encuentre defectuosa debido a materiales usados o procesos de manufactura. Sírvase llamar a la compañía Blue Angel™ (800-237-0987, desde EUA) para recibir instrucciones al respecto o comuníquese con el distribuidor más cercano a su domicilio. Para hacer reclamos bajo esta garantía deberá suministrarnos el número del modelo y el número de serie del producto. El comprador será responsable de pagar todos los gastos de flete para enviar las piezas o el producto para que sean reparados o reemplazados.

Esta garantía Limitada no cubre los daños que sufra el producto debido a accidentes, abusos, usos inadecuados, negligencia, instalación incorrecta, mantenimiento inadecuado o haberse utilizado sin seguir las instrucciones escritas suministradas por la compañía Blue Angel™.

NO EXISTEN OTRAS GARANTIAS EXPRESAS. LAS GARANTIAS IMPLICITAS INCLUYENDO GARANTIAS EN RELACION AL MERCADEO O USOS ESPECIFICOS ESTAN LIMITADAS A UN AÑO A PARTIR DE LA FECHA DE COMPRA. ESTA ES LA UNICA GARANTIA DISPONIBLE Y TODAS LAS REONSABILIDADES CIVILES, DIRECTAS O INDIRECTAS, O GASTOS POR DAÑOS INDIRECTOS O CONSECUENTES QUEDAN EXCLUIDOS.

Algunos estados no permiten que se establezcan límites en la duración de las garantías implícitas o no permiten que se excluyan ni se establezcan límites en los daños por incidentes o consecuencias, por lo tanto los límites antes mencionados podrían ser no válidos. Esta Garantía Limitada le otorga derechos legales específicos, y usted también puede tener otros derechos que varían de un Estado a otro.

En ningún caso, bien sea por ruptura del contrato de la garantía, responsabilidad civil (incluyendo negligencia) u otra causa, Blue Angel™ o sus distribuidores serán responsables por daños especiales, consecuentes ni circunstanciales ni penales, incluyendo, pero no limitados a la pérdida de ganancias, pérdida de uso del producto o equipos asociados, daños a equipos asociados, costos de capitales, costos para substituir productos, costos para substituir o reemplazar servicios, costos por pérdida de productividad, o reclamos de clientes del comprador por dichos daños.

DEBE conservar el recibo de compra con esta garantía. En caso de que necesite hacer un reclamo bajo esta garantía, **DEBERA** enviarnos una **COPIA** del recibo junto con el material o correspondencia. Sírvase comunicarse con la compañía Blue Angel™ (800-237-0987, en EUA) para recibir autorización e instrucciones para enviar el producto.

NO ENVIE ESTA GARANTIA A WAYNE. Use este documento sólo para mantener sus records.

NO DEL MODELO _____ NO DE SERIE _____ FECHA DE INSTALACION _____

ANEXE SU RECIBO AQUI