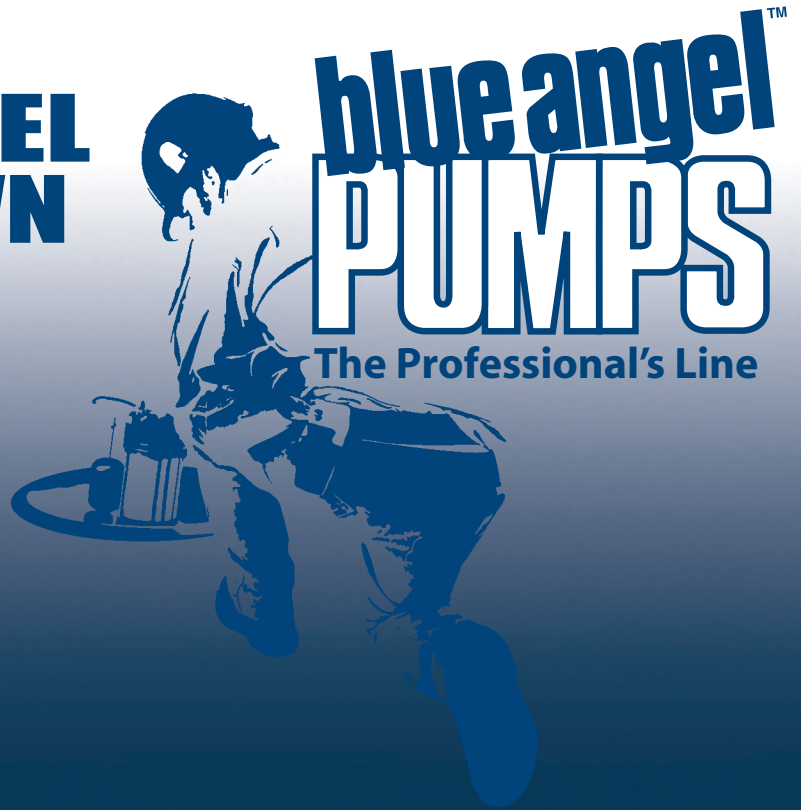


1 HP STAINLESS STEEL PORTABLE LAWN SPRINKLING PUMP



blueangel™
PUMPS
The Professional's Line

• **12 GPM @ 0'**

• **Stainless Steel Pump Housing**

• **120V Totally Enclosed Fan-Cooled
Continuous-Duty Motor**

• **Safe and Convenient On/Off Switch**

• **Draws Water Up to 20'**

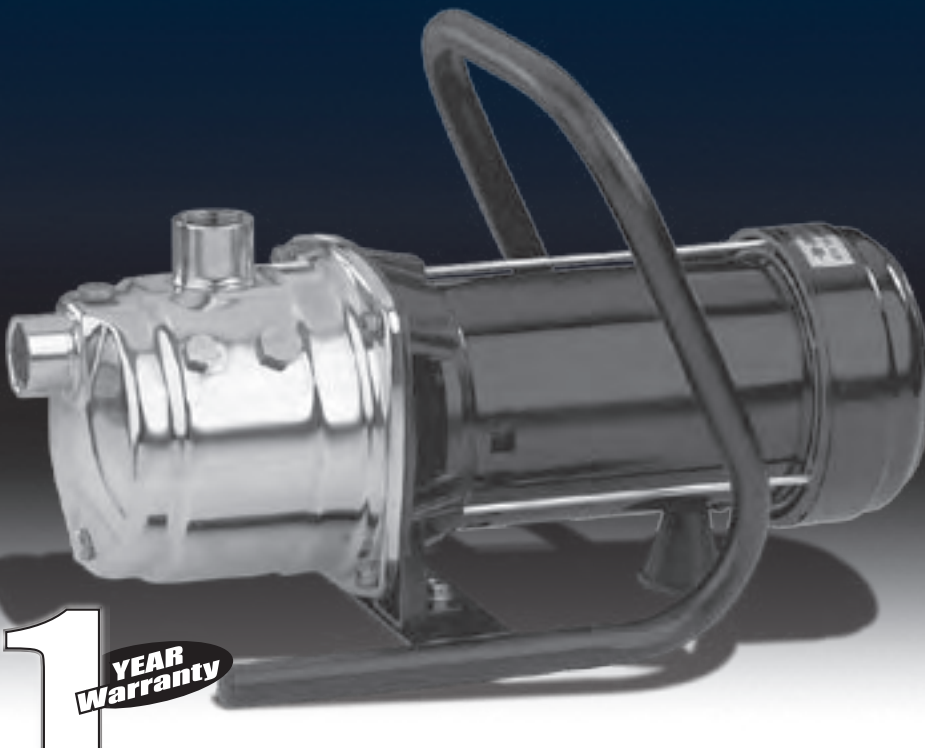
• **180' of Total Dynamic Head**

• **Maintains Pressure Up to 80 PSI**

• **1" NPT Suction and Discharge
Threads**

• **3/4" Garden Hose Adapter Included**

• **Convenient Handle for Portability**



1
YEAR
Warranty

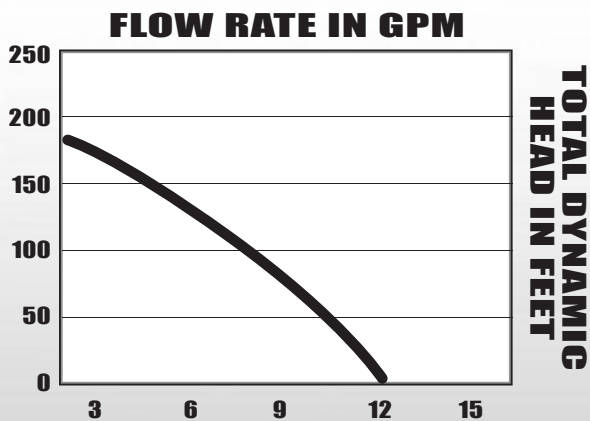
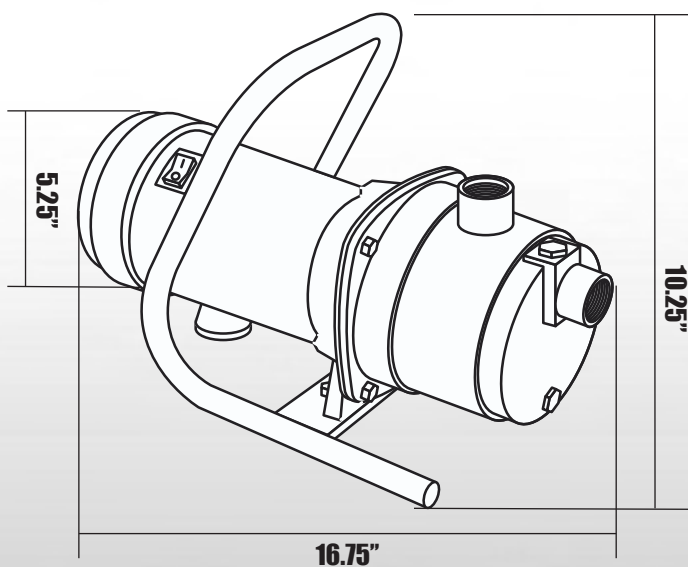
www.blueangelpumps.com

1 HP STAINLESS STEEL PORTABLE LAWN SPRINKLING PUMP



BPLS100

- Stainless Steel Construction
- 180' Total Dynamic Head
- 1" Suction, Lift Up To 20'
- 3/4" Garden Hose Adapters
- Shipping Weight, 23 lbs
- 1 Year Warranty



MOTOR SPECIFICATIONS

MOTOR	RPM	VOLTS	AMPS	Hz
PSC	3450	120	9.0	60

PERFORMANCE

DISCHARGE HEAD	0'	30'	60'	90'
Gallons/Minute	12	10.5	8.6	6.5

FOR PUMP AND SYSTEM ACCESSORIES SEE ACCESSORIES SECTION
 BLUE ANGEL™ PUMPS • 101 Production Drive • Harrison, OH 45030 • 1-888-636-6628

© 2007 Blue Angel Pumps All Rights Reserved

